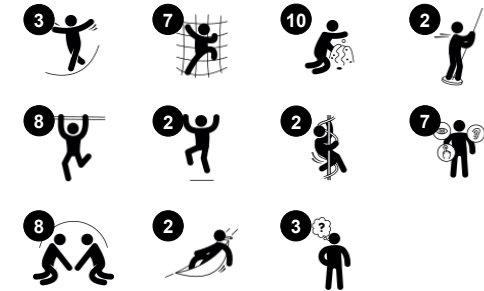


Triple Play Tower with Turbo

PCM310221



Item no. PCM310221-0951	
General Product Information	
Dimensions LxWxH	583x573x382 cm
Age group	6+
Play capacity (users)	28
Color options	



Triple play challenges for school age children: here is the play attraction that will make them come back again and again. With its rich variety of physical, social and cognitive play, there is no end to the fun. The net climbers offer different ways of getting up and down the unit: the bigger meshes also allow for climbing through. This means that agility and muscles

are trained in different ways. The responsive activities are a hit: the Turbo Challenge is pure thrill. Children cooperate and turn-take while spinning, hanging in legs or arms. This trains the upper body muscles as well as spatial awareness, both important for healthy growth and confidence in your body. The wobbly bridge is a thrilling trainer of balance. But for

true dare devils, the tall bannister bars and the fireman's pole are the playful street-credit creators.

Triple Play Tower with Turbo

PCM310221



Panels of 19mm EcoCore™. EcoCore™ is a highly durable, eco friendly material, which is not only recyclable after use, but also consists of material produced from +95% recycled post consumer material from food packing waste.

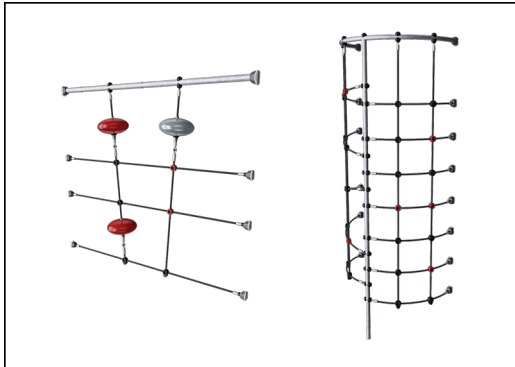


All decks are supported by unique designed low-carbon aluminum profiles with multiple attachment options. The grey colored molded decks are made of 75% post-consumer waste PP material with a non-skid pattern and texture surface.



Main posts with hot dip galvanized steel footing are available in different materials: Pressure impregnated pine wood posts. Pre-galvanized inside and outside with powder coated top finish steel posts. Lead free aluminum with color anodized top finish. Greenline TexMade posts of 95% post-consumer recycled PE and textile waste.

Item no. PCM310221-0951	
Installation Information	
Max. fall height	246 cm
Safety surfacing area	62.9 m ²
Total installation time	26.3
Excavation volume	0.62 m ³
Concrete volume	0.20 m ³
Footing depth (standard)	90 cm
Shipment weight	1,046 kg
Anchoring options	Surface ✓ In-ground ✓



Ropes of UV-stabilized PES rope strands with inner steel cable reinforcement. The polyester yarn is made from +95% post-consumer materials and is inductively melted onto each strand.



The slides can be chosen in six different colours and three materials: Straight or curved one-piece molded PE slides, made from 33% recycled post-consumer materials in different colours. Combined EcoCore™ sides and stainless-steel. Full stainless steel in one piece design for more vandalism proof solutions.



KOMPAN GreenLine versions are designed with ultimate environmentally friendly materials with lowest possible CO₂e emission factor. TexMade post, EcoCore™ panels of 95% post-consumer recycled waste and molded PP decks.



Sustainability Data

PCM310221



Cradle to Gate A1-A3	Total CO ₂ emission	CO ₂ e/kg	Recycled materials
	kg CO ₂ e	kg CO ₂ e/kg	%
PCM310221-0951	1,569.60	2.17	68.10
PCM310221-0905	1,795.60	3.02	53.40

The overall framework applied for these factors is the Environmental Product Declaration (EPD), which quantifies "environmental information on the life cycle of a product and enable comparisons between products fulfilling the same function" (ISO, 2006). This follows the structure and applies a Life-Cycle Assessment approach to the entire Product stage from raw material through manufacturing (A1-A3))

Kompan A/S
C.F. Tietgens Boulevard 32C
DK-5220 Odense SØ
Denmark



Verification of CO₂ calculation of: Play systems



Data version no. 2023-10-05

The CO₂ calculation and data are in compliance with the principles of a carbon footprint impact according to the GHG protocol (Greenhouse Gas Protocol), Scope 3, cradle to gate related to all individual components in the product category: "Play systems" represented by item no.: PCM200321-0950.

(Scope 3 emissions include emission sources in the upstream and downstream value chain).

Date: 30. October 2023 | Valid until: 30. October 2025

Verified by:

Julie Marie Vejsgaard Larsen, LCA & EPD Consultant

Verification based on report: Validation of CO₂ calculation of 9 categories of Kompan product line, version 1.0, prepared by: Bureau Veritas HSE, Denmark: Julie M. V. Larsen.

Publication date: 30. October 2023

By Bureau Veritas HSE
www.bureauveritas.dk
+45 7731 1000

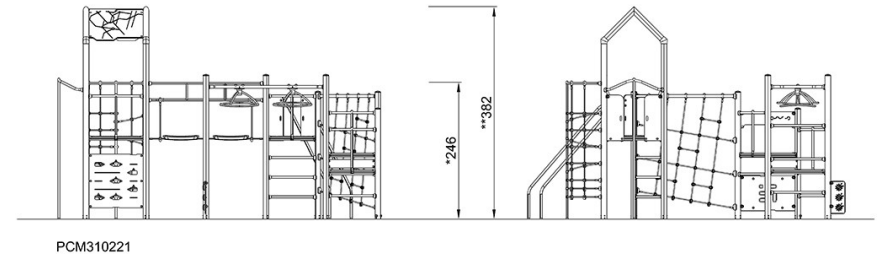
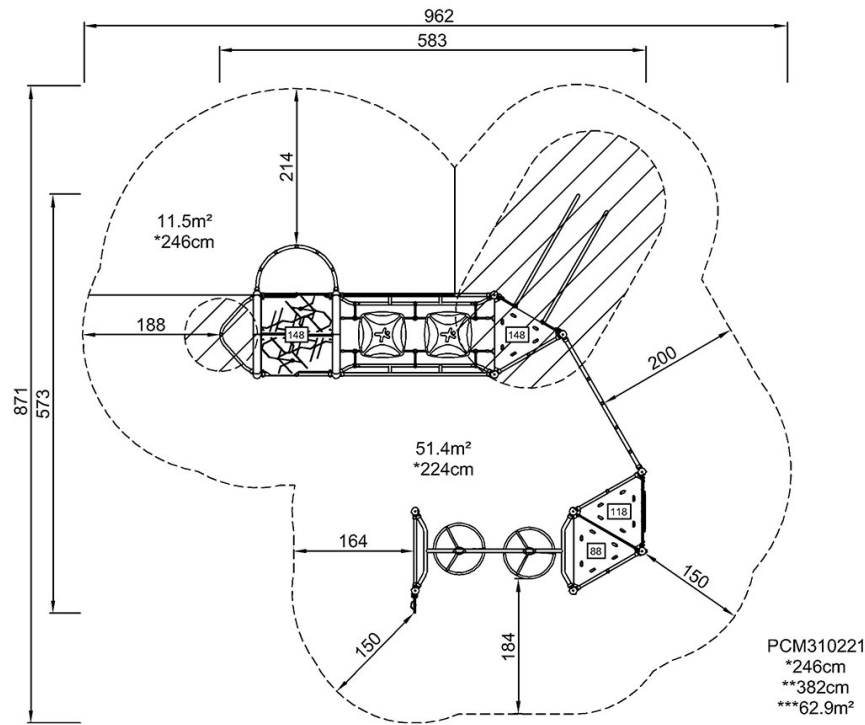


Triple Play Tower with Turbo

PCM310221

* Max fall height | ** Total height | *** Safety surfacing area

* Max fall height | ** Total height



[Click to see TOP VIEW](#)

[Click to see SIDE VIEW](#)