

Cross Trainer Pro

FAZ52100

KOMPAN
Let's play



KOMPAN's state-of-the-art outdoor elliptical cross trainer is unlike anything currently available on the outdoor fitness market. Developed by our dedicated fitness experts, KOMPAN's outdoor stationary elliptical delivers an intense yet low-impact cardiovascular workout comparable to what you'd achieve in a traditional indoor gym. The outdoor elliptical exercise machine features a self-powered

motor, Polyurea coated handles and large footplates for an ergonomic experience. To accommodate those with varying fitness levels, KOMPAN has included adjustable resistance levels between 45 – 750 watts. The elliptical will naturally adapt the resistance to the user's speed, but the intensity can also be altered by connecting a mobile device to the outdoor cross trainer machine via Bluetooth. Even the

fittest of athletes can achieve an effective cardiovascular workout with KOMPAN's outdoor cross trainer machine and our special sprint mode delivers an additional layer of challenge. The versatility of KOMPAN's outdoor elliptical machine makes it a great stationary piece for any outdoor fitness site.

Item no. FAZ52100-0801	
General Product Information	
Dimensions LxWxH	179x83x175 cm
Age group	13+
Play capacity (users)	1
Colour options	



See KOMPAN Fit app for more



Cross Trainer Pro

FAZ52100



You can connect the cardio machine to your phone or tablet via Bluetooth. This will provide instant feedback on speed, distance, cadence, watts, calories burned and time. You can also use your smart devices to manually adjust resistance (10 levels), have access to instructional and motivational videos, store and share activity data online!

The cross trainer has one welded steel frame connecting the front and the back of the machine. The frame creates an extremely strong and rigid constructing which is needed to cope with the high forces that can be applied.

The cover is made of one of the hardest materials in the market, a Lexan Copolymer EXL9330 and has a thickness of 4mm. This cover can withstand any impact and will protect the electronics in the best possible way.

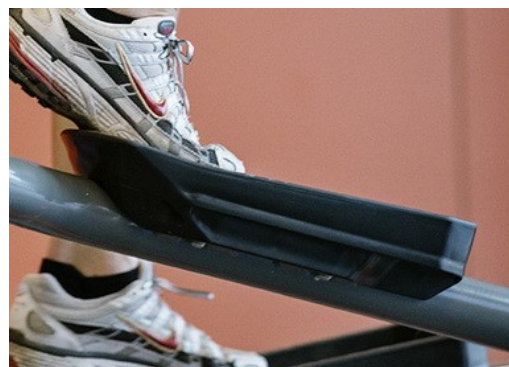
Item no. FAZ52100-0801	
Installation Information	
Max. fall height	60 cm
Safety surfacing area	15.3 m ²
Total installation time	3.8
Excavation volume	0.68 m ³
Concrete volume	0.42 m ³
Footing depth (standard)	80 cm
Shipment weight	317 kg
Anchoring options	In-ground ✓ Surface ✓
Warranty Information	
Electronics	2 years
Footrests	10 years
Frame	10 years
Handlebars	10 years
Spare parts guaranteed	10 years



The Innovative self-powered electrical motor and gear providing a virtual flywheel to give real road experience. The resistance works as an automatic drive and adapts automatically. The users can overwrite the automatic drive manually by changing the resistance in 10 steps (45-750 Watts) through the App or screen.



The handle bars is designed with multiple hand positions to accommodate different postures and riding styles. It is a casted Aluminium part with Polyurea coating for good grip and insulation.



The footrests are made 39cm long x 15cm wide, accommodating all foot sizes. The back of the footrest has a specifically designed inclined surface which will bring the users in a sprint position, using much more of the gluteus, hamstrings and lower back muscles.



Sustainability Data

FAZ52100



Cradle to Gate A1-A3	Total CO ₂ emission	CO ₂ e/kg	Recycled materials
	kg CO ₂ e	kg CO ₂ e/kg	%
FAZ52100-0801	596.38	3.10	45.53

The overall framework applied for these factors is the Environmental Product Declaration (EPD), which quantifies "environmental information on the life cycle of a product and enable comparisons between products fulfilling the same function" (ISO, 2006). This follows the structure and applies a Life-Cycle Assessment approach to the entire Product stage from raw material through manufacturing (A1-A3))

Kompan A/S
 C.F. Tietgens Boulevard 32C
 DK-5220 Odense SØ
 Denmark



Verification of CO₂ calculation of: Fitness



Data version no. 2023-10-05

The CO₂ calculation and data are in compliance with the principles of a carbon footprint impact according to the GHG protocol (Greenhouse Gas Protocol), Scope 3, cradle to gate related to all individual components in the product category: "Fitness" represented by item no.: FAZ10100-0900.

(Scope 3 emissions include emission sources in the upstream and downstream value chain).

Date: 30. October 2023 | Valid until: 30. October 2025

Verified by:

Julie Marie Vejsgaard Larsen, LCA & EPD Consultant

Verification based on report: Validation of CO₂ calculation of 9 categories of Kompan product line, version 1.0, prepared by: Bureau Veritas HSE, Denmark: Julie M. V. Larsen.

Publication date: 30. October 2023

By Bureau Veritas HSE
 www.bureauveritas.dk
 +45 7731 1000

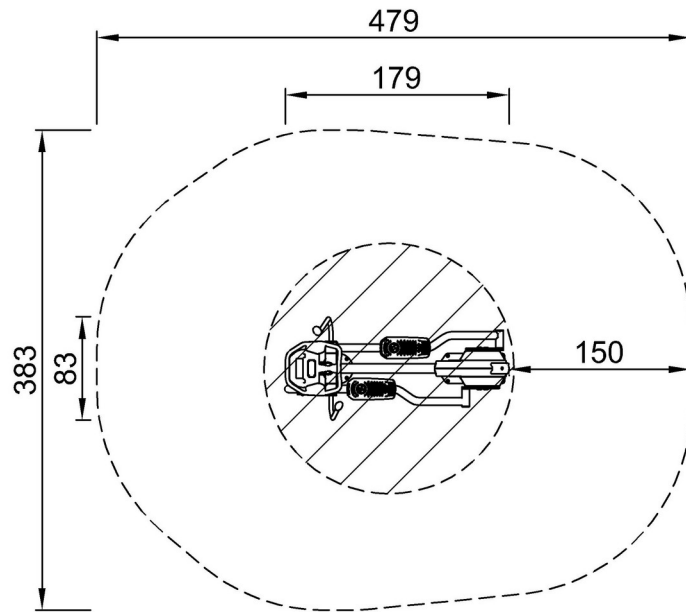


Cross Trainer Pro

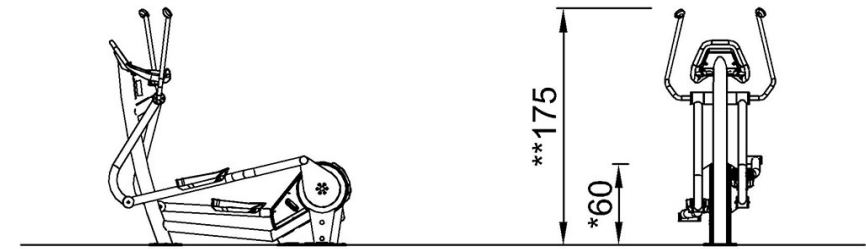
FAZ52100

* Max fall height | ** Total height | *** Safety surfacing area

* Max fall height | ** Total height



FAZ52100
*60cm
**175cm
***15.3m²



FAZ52100

[Click to see TOP VIEW](#)

[Click to see SIDE VIEW](#)