

Bee Springer

NRO118



The Bee Springer with its rich tactile elements and appealing shape motivates children to rock, alone or two together. The rocking movement attracts children again and again, for shorter or longer rides. Apart from its charming appearance, the Bee Springer has a rich tactile variation with its rubber wings, wooden body and stainless steel hand and

footholds. Tactile richness is a main motivator, especially for younger children. It supports their understanding of material characteristics such as weight, smoothness, temperature and flexibility. This is important in for children's ability to assess differences and make decisions. The soothing, rocking movements of the bee trains spatial awareness and sense of

balance, which are both crucial for body confidence, which is important for children to avoid falls. A good sense of balance also improves the ability to sit still and concentrate.

Item no. NRO118-0421	
General Product Information	
Dimensions LxWxH	2'6"x2'3"x2'5"
Age group	2 - 12
Play capacity (users)	1
Color options	



Bee Springer

NRO118



Handhold

Physical: the vertical handgrips ensure a firm grip at different heights, necessary for rocking intensely. This trains hand and arm muscles.



Rocking spring

Physical: response to movement increases spatial awareness and sense of balance. These are fundamental motor skills that help the child's ability to sit still on a chair which takes a good sense of balance. **Cognitive:** trains the understanding of cause and effect: when I move my body, the spring responds with movement.



Foot support

Physical: the possibility of footrest supports intense rocking. Rocking stimulates the senses of balance and space that are fundamental in managing the world securely.



Double seating option

Social-Emotional: the possibility of rocking together supports cooperation skills. Furthermore, the physical contact with others is great for the well-being of children, measurable in lower cortisol (stress hormone) levels.



Theme

Cognitive: suggests a theme and supports dramatic play, which stimulates language and communication skills.

Bee Springer

NRO118



All Organic oak products by KOMPAN are made of oak wood from sustainable European sources. On request it can be supplied as FSC® Certified (FSC® C004450).



The paint used for colored components is water based environmental friendly with excellent UV resistance. The paint is in compliance with EN 71 Part 3.



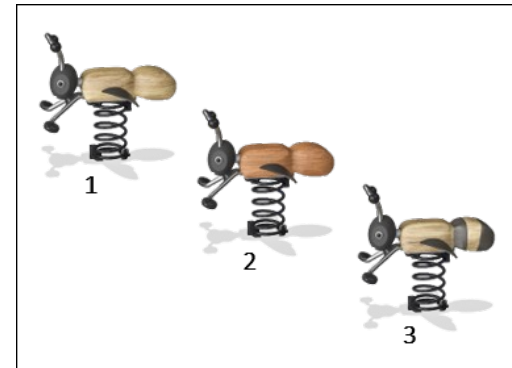
Handles and footrests are made of high quality stainless steel and equipped with molded on PUR handholds and footsteps. The PUR footrests are designed with grooves to make the surface slip resistant.



KOMPAN Springs are made of high quality spring steel according to EN10270. The springs are cleaned by phosphating before they are painted with an epoxy primer and a polyester powder coating as top finish. The springs are fixed by unique anti pinch fittings for maximum safety and long lifetime.



Membranes consist of friction-proof rubberized material of conveyor belt quality with excellent UV resistance. Tested and comply with strict PAH requirements. Embedded is a four-layered armoring made of woven polyester to ensure high vandalism resistance.



Robinia products are available in three different wood treatment options: Untreated Robinia wood or brown painted with a pigment that maintains the wood color and colored version with paint of selected components.

Item no. NRO118-0421	
Installation Information	
Max. fall height	1'10"
Safety surfacing area	165ft ²
Total installation time	1.9
Excavation volume	0.22yd ³
Concrete volume	0yd ³
Footing depth (standard)	1'5"
Shipment weight	87lbs
Anchoring options	In-ground ✓ Surface ✓
Warranty Information	
Membrane	2 Years
Oak Wood	10 Years
Spare Parts Availability	10 Years
Springs	5 Years
Stainless steel components	Lifetime

Elevated activities 0	Accessible elevated activities	Accessible ground level activities	Accessible ground level play types
Present	0	1	1
Required	0	1	1



Sustainability Data

NRO118



Cradle to Gate A1-A3	Total CO ₂ emission	CO ₂ e/kg	Recycled materials
	kg CO ₂ e	kg CO ₂ e/kg	%
NRO118-0421	83.89	2.21	29.98

The overall framework applied for these factors is the Environmental Product Declaration (EPD), which quantifies "environmental information on the life cycle of a product and enable comparisons between products fulfilling the same function" (ISO, 2006). This follows the structure and applies a Life-Cycle Assessment approach to the entire Product stage from raw material through manufacturing (A1-A3))

Kompan A/S
 C.F. Tietgens Boulevard 32C
 DK-5220 Odense SØ
 Denmark



Verification of CO₂ calculation of: Nature play



Data version no. 2023-10-05

The CO₂ calculation and data are in compliance with the principles of a carbon footprint impact according to the GHG protocol (Greenhouse Gas Protocol), Scope 3, cradle to gate related to all individual components in the product category: "Nature play" represented by item no.: NRO409-0621.

(Scope 3 emissions include emission sources in the upstream and downstream value chain).

Date: 30. October 2023 | Valid until: 30. October 2025

Verified by:

Julie Marie Vejsgaard Larsen, LCA & EPD Consultant

Verification based on report: Validation of CO₂ calculation of 9 categories of Kompan product line, version 1.0, prepared by: Bureau Veritas HSE, Denmark: Julie M. V. Larsen.

Publication date: 30. October 2023

By Bureau Veritas HSE
 www.bureauveritas.dk
 +45 7731 1000

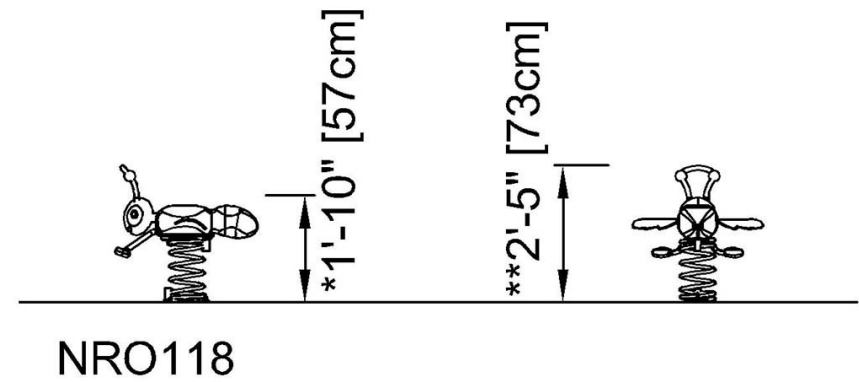
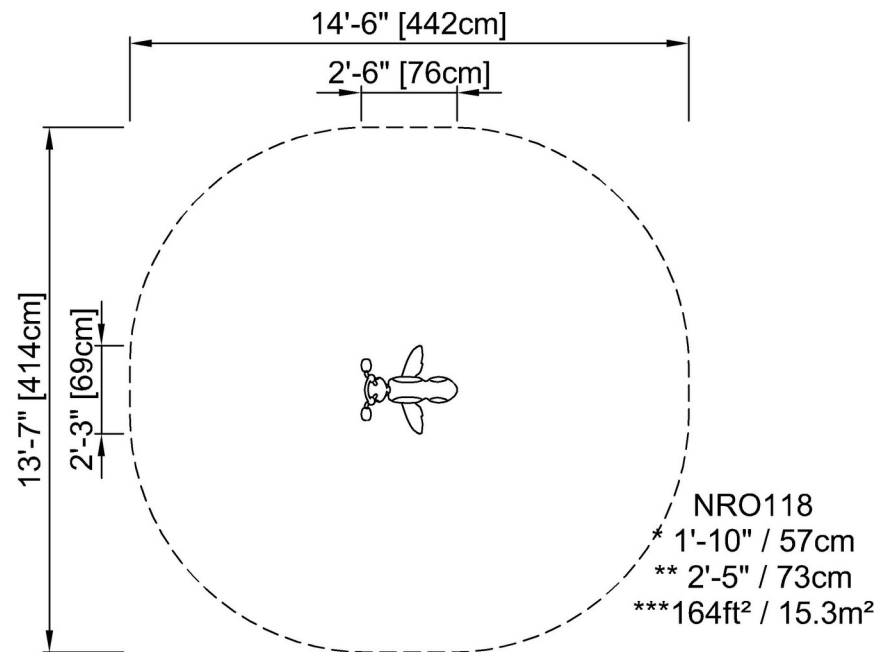


Bee Springer

NRO118

* Max fall height | ** Total height | *** Safety surfacing area

* Max fall height | ** Total height



[Click to see TOP VIEW](#)

[Click to see SIDE VIEW](#)