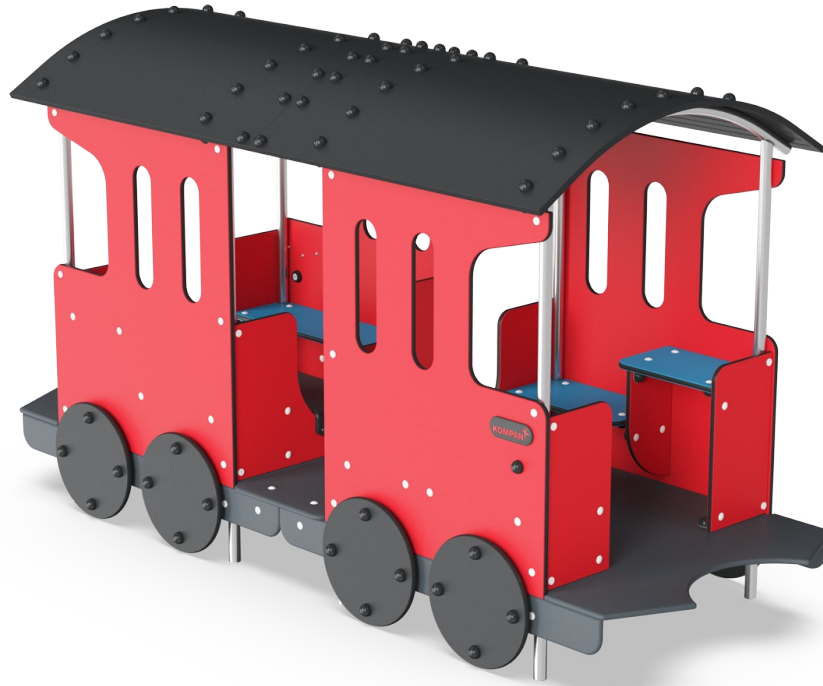


# Railway Carriage

M526



Item no. M52670-3417P

## General Product Information

Dimensions LxWxH	9'9"x4'0"x5'5"
Age group	2 - 5
Play capacity (users)	8
Color options	



I want to go on the train! The roomy Railway carriage attracts children with its appealing theme of travel. The train theme is a great play starter that will have children stay for a long time, describing where they'll go next. This can unite play across generations. The storytelling dimension of dramatic play is highly visible in the Railway carriage. This stimulates language

development and logical thinking skills when sequencing stories correctly in time. The lovely compartments with blue seats spur numerous social games, while children define my space and your space. The open platforms at the rear and front allow for seating, too. The transparent design makes it possible for children to participate in play from the outside of the

Railway carriage as well. It also facilitates informal adult supervision.



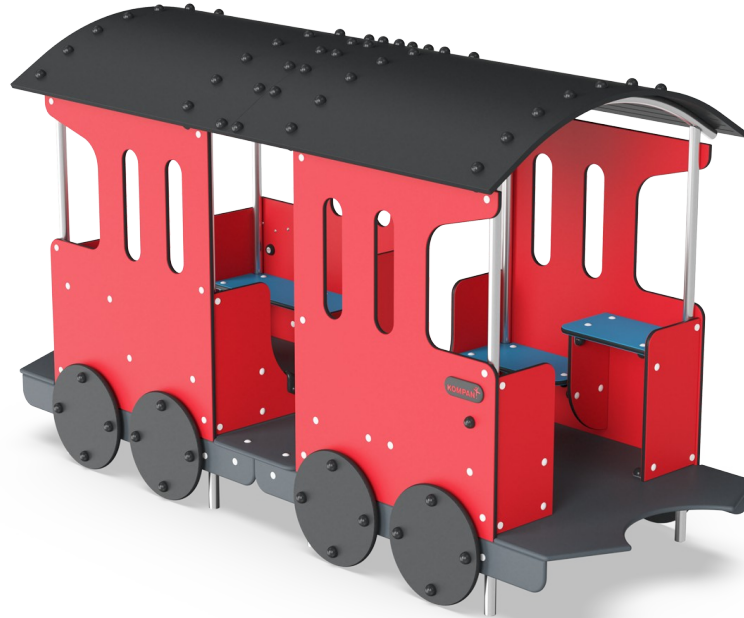
# Railway Carriage

M526



## Bench

**Social-Emotional:** gathering, cooperating or taking a break from play all train social skills.



## Theme

**Cognitive:** suggests a theme and supports dramatic play, which stimulates language and communication skills.



## Open space

**Social-Emotional:** the open space allows for more children to be together and share. This builds important life skills like courage, self-confidence, consideration and turn-taking.

# Railway Carriage

M526



Panels of 19mm EcoCore™. EcoCore™ is a highly durable, eco friendly material, which is not only recyclable after use, but also consists of a core produced from 100% recycled material.



Foot support is made of HPL with a thickness of 17.8mm with a very high wearing strength and a unique KOMPAN non-skid surface texture.

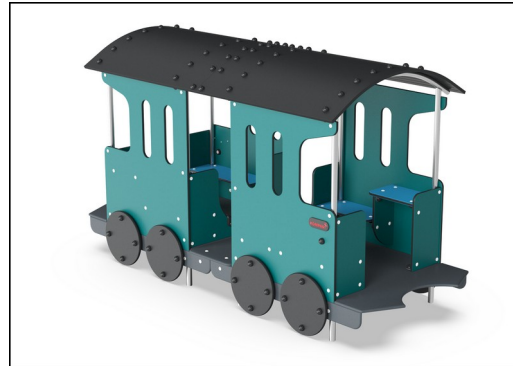


The steel surfaces are hot-dip galvanized inside and outside with lead-free zinc. The galvanization has excellent corrosion resistance in outside environments and requires minimal maintenance.

Item no. M52670-3417P	
Installation Information	
Max. fall height	1'9"
Safety surfacing area	318ft <sup>2</sup>
Total installation time	12.4
Excavation volume	0.58yd <sup>3</sup>
Concrete volume	0yd <sup>3</sup>
Footing depth (standard)	2'0"
Shipment weight	904lbs
Anchoring options	In-ground ✓ Surface ✓
Warranty Information	
EcoCore HDPE	Lifetime
Hot dip galvanized steel	Lifetime
HPL decks	15 Years
PUR components	10 Years
Spare Parts Availability	10 Years



Edge protection is made of PUR. It retains its properties in the temperature range of -30°C to 60°C. Material is UV stabilized.



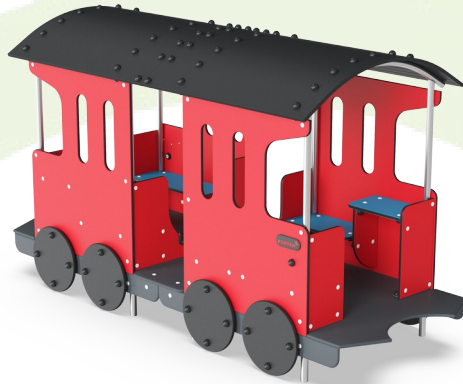
KOMPAN GreenLine versions are designed with the most environmentally friendly materials with the lowest possible CO2e emission factor such as EcoCore™ panels of 100% post-consumer recycled ocean waste.

Elevated activities 0	Accessible elevated activities	Accessible ground level activities	Accessible ground level play types
Present	0	1	1
Required	0	1	1



# Sustainability Data

M526



<b>Cradle to Gate A1-A3</b>	<b>Total CO<sub>2</sub> emission</b>	<b>CO<sub>2</sub>e/kg</b>	<b>Recycled materials</b>
	kg CO <sub>2</sub> e	kg CO <sub>2</sub> e/kg	%
<b>M52670-3417P</b>	545.05	1.61	58.47

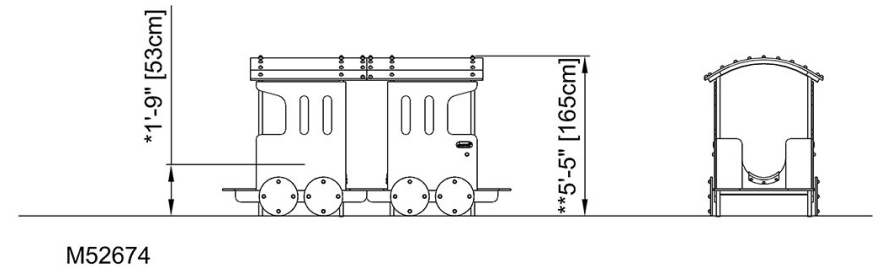
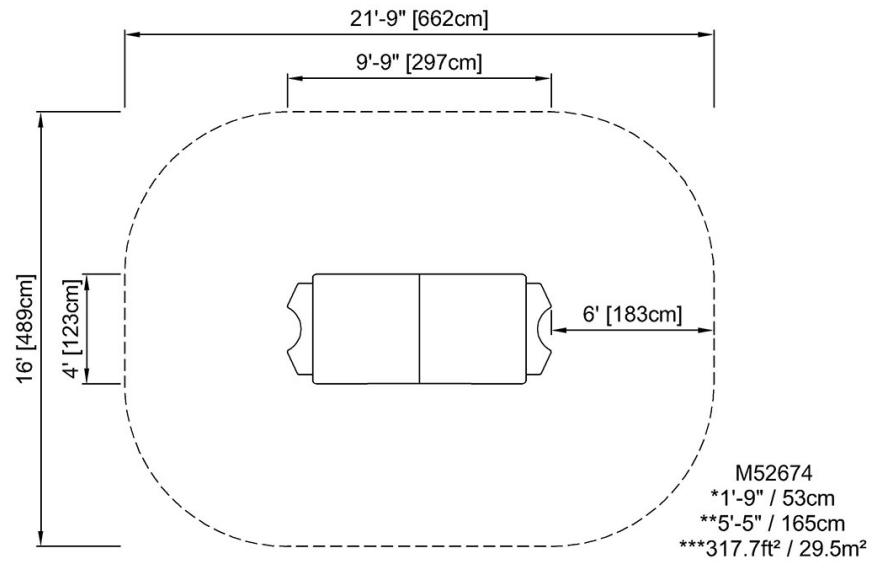
The overall framework applied for these factors is the Environmental Product Declaration (EPD), which quantifies "environmental information on the life cycle of a product and enable comparisons between products fulfilling the same function" (ISO, 2006). This follows the structure and applies a Life-Cycle Assessment approach to the entire Product stage from raw material through manufacturing (A1-A3))

# Railway Carriage

M526

\* Max fall height | \*\* Total height | \*\*\* Safety surfacing area

\* Max fall height | \*\* Total height



[Click to see TOP VIEW](#)

[Click to see SIDE VIEW](#)