

Little Duck's Gate

NRO416

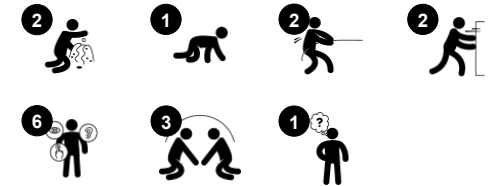


This activity packed, home-themed Little Duck's Gate will attract and excite toddlers again and again. Rich tactile features greatly increase play value and support emerging dramatic play in the toddlers. The scale of the house is perfectly shaped for toddlers. The desk adds to the overall transparency so that children can play together from the outside and

the inside of the house and the side panel with yellow scoops that run in a groove encourages play that stimulates theory of mind and logical thinking skills. The leafy crawl-through panel encourages children to crawl and explore. These tactile activities stimulate cross-modal perception, important for improving reading skills and support cross-coordination

awareness which is key to physical and cognitive development at this age.

| Item no. NRO416-1021 | |
|-----------------------------|----------------|
| General Product Information | |
| Dimensions LxWxH | 175x284x281 cm |
| Age group | 1+ |
| Play capacity (users) | 10 |
| Colour options | |



Data is subject to change without prior notice.

Little Duck's Gate

NRO416



Side desk

Social-Emotional: fine meeting place and a space creator. Sharing and cooperation from both sides create a social scenario that supports communication and cooperation.



Theme

Cognitive: suggests a theme and supports dramatic play, which stimulates language and communication skills.



Crawl-through hole

Physical: the hole allows for climbing and crawling through, developing cross coordination, proprioception and spatial awareness. **Social-Emotional:** cooperation and turn-taking when passing one another.



Sand scoops panel

Physical: hand eye coordination and push-pull movements. **Social-Emotional:** invites cooperation due to the two-sidedness and provides for parallel play. **Cognitive:** logical thinking: cause and effect understanding when running scoops in grooves or shifting materials from scoop to scoop. **Creative:** shifting scoops, creating new scoop positions.

Little Duck's Gate

NRO416



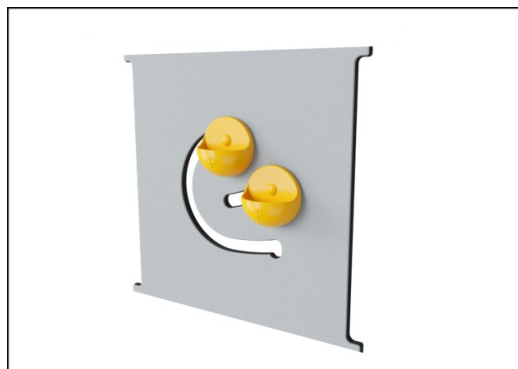
All Organic Robinia products by KOMPAN are made of Robinia wood from sustainable European sources. On request it can be supplied as FSC® Certified (FSC® C004450).



The product/activities are preassembled from the factory to ensure all safety requirements are considered.



The paint used for coloured components is water based environmental friendly with excellent UV resistance. The paint is in compliance with EN 71 Part 3.



Panels of 19mm EcoCore™. EcoCore™ is a highly durable, eco friendly material, which is not only recyclable after use, but also consists of material produced from +95% recycled post consumer material from food packing waste.



There are Multiple footing options for all products: Surface anchoring with steel footings and expansion bolts. Wood in-ground or steel in-ground footings.



Robinia products are available in three different wood treatment options: untreated Robinia wood or brown painted with a pigment that maintains the wood colour and coloured version with paint of selected components.

Item no. NRO416-1021

Installation Information

| | |
|--------------------------|--------------------------|
| Max. fall height | 0 cm |
| Safety surfacing area | 21.2 m ² |
| Total installation time | 11.1 |
| Excavation volume | 0.63 m ³ |
| Concrete volume | 0.00 m ³ |
| Footing depth (standard) | 100 cm |
| Shipment weight | 545 kg |
| Anchoring options | In-ground ✓ Surface ✓ |

Warranty Information

| | |
|----------------------------|----------|
| EcoCore HDPE | Lifetime |
| Hot dip galvanised steel | Lifetime |
| Robinia wood | 15 years |
| Spare parts guaranteed | 10 years |
| Stainless steel components | Lifetime |



Sustainability Data

NRO416



| Cradle to Gate A1-A3 | Total CO ₂ emission | CO ₂ e/kg | Recycled materials |
|----------------------|--------------------------------|-------------------------|--------------------|
| | kg CO ₂ e | kg CO ₂ e/kg | % |
| NRO416-1021 | 103.05 | 0.23 | 3.53 |

The overall framework applied for these factors is the Environmental Product Declaration (EPD), which quantifies "environmental information on the life cycle of a product and enable comparisons between products fulfilling the same function" (ISO, 2006). This follows the structure and applies a Life-Cycle Assessment approach to the entire Product stage from raw material through manufacturing (A1-A3))

Kompan A/S
 C.F. Tietgens Boulevard 32C
 DK-5220 Odense SØ
 Denmark



Verification of CO₂ calculation of: Nature play



Data version no. 2023-10-05

The CO₂ calculation and data are in compliance with the principles of a carbon footprint impact according to the GHG protocol (Greenhouse Gas Protocol), Scope 3, cradle to gate related to all individual components in the product category: "Nature play" represented by item no.: NRO409-0621.

(Scope 3 emissions include emission sources in the upstream and downstream value chain).

Date: 30. October 2023 | Valid until: 30. October 2025

Verified by:

Julie Marie Vejsgaard Larsen, LCA & EPD Consultant

Verification based on report: Validation of CO₂ calculation of 9 categories of Kompan product line, version 1.0, prepared by: Bureau Veritas HSE, Denmark: Julie M. V. Larsen.

Publication date: 30. October 2023

By Bureau Veritas HSE
 www.bureauveritas.dk
 +45 7731 1000

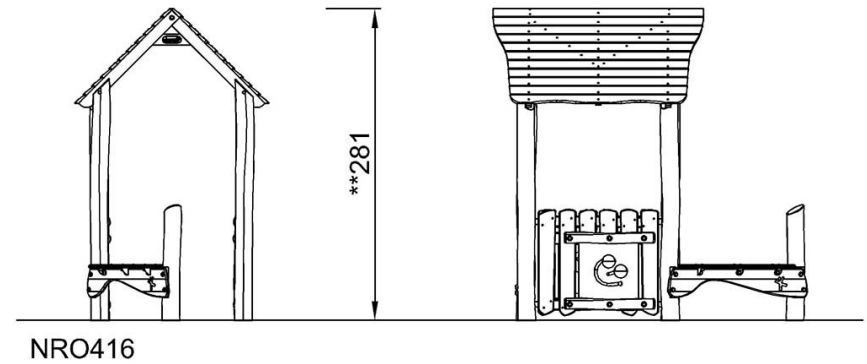
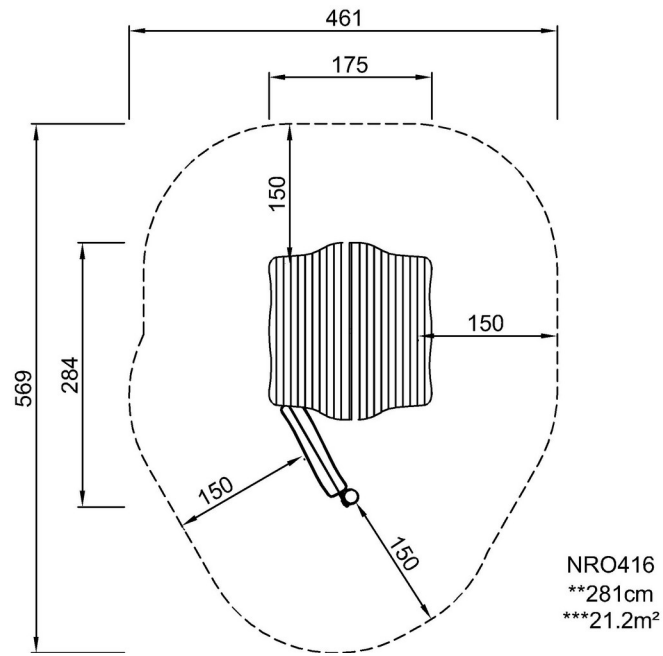


Little Duck's Gate

NRO416

* Max fall height | ** Total height | *** Safety surfacing area

* Max fall height | ** Total height



[Click to see TOP VIEW](#)

[Click to see SIDE VIEW](#)