

# Playhouse with Roof

NRO401



Item no. NRO401-0601

## General Product Information

Dimensions LxWxH	151x168x260 cm
Age group	6m+
Play capacity (users)	4
Color options	 



This adorable play house with its triangular shape will attract children again and again. With its welcoming triangular shape, the Playhouse with Roof adds a shelter-feel to the playhouse and suggests a wealth of themed play worlds: den, ship, house. This invites continued dramatic play scenarios. The Play House with roof welcomes smaller and bigger

groups of children in dramatic play. Dramatic play trains children's imagination and feeling of control. Additionally, children play out everyday scenarios that they have a hard time understanding, thus playing out their life observations. While doing so, they constantly talk and communicate with their peers, and even with themselves. This hugely stimulates

language skills as well as negotiation and communication skills.



Data is subject to change without prior notice.

# Playhouse with Roof

NRO401



## Megaphone

**Social-Emotional:** inspires communication and turn-taking skills. **Cognitive:** distortion of sound evokes curiosity and stimulates an understanding of cause and effect.



## Open space

**Social-Emotional:** the open space allows for more children to be together and share. Important life skills like courage, self-confidence, consideration and turn-taking are built.



## Binoculars

**Cognitive:** the binoculars set a tangible theme and thus spur dramatic play. Dramatic play is a great trainer of language and communication skills. **Creative:** the binoculars can be turned in all directions. Looking through them gives a new perspective on the world.

# Playhouse with Roof

NRO401



All Organic Robinia products by KOMPAN are made of Robinia wood from sustainable European sources. On request it can be supplied as FSC® Certified (FSC® C004450).



The product/activities are preassembled from the factory to ensure all safety requirements are considered.



Play activities like the Megaphone are made of injection moulded high quality nylon (PA6). PA6 has good wearing and impact strength and is UV stabilised.

Item no. NRO401-0601

## Installation Information

Max. fall height	0 cm
Safety surfacing area	16.6 m <sup>2</sup>
Total installation time	4.9
Excavation volume	0.13 m <sup>3</sup>
Concrete volume	0.02 m <sup>3</sup>
Footing depth (standard)	60 cm
Shipment weight	317 kg
Anchoring options	In-ground ✓



Robinia products are available in three different wood treatment options: Untreated Robinia wood or brown painted with a pigment that maintains the wood colour and coloured version with paint of selected components.



Binoculars are made of PUR. All components retain their properties in the temperature range of -30°C to 60°C. Material is UV stabilised.



# Sustainability Data

NRO401



Cradle to Gate A1-A3	Total CO <sub>2</sub> emission	CO <sub>2</sub> e/kg	Recycled materials
	kg CO <sub>2</sub> e	kg CO <sub>2</sub> e/kg	%
<b>NRO401-0601</b>	46.86	0.20	0.69

The overall framework applied for these factors is the Environmental Product Declaration (EPD), which quantifies "environmental information on the life cycle of a product and enable comparisons between products fulfilling the same function" (ISO, 2006). This follows the structure and applies a Life-Cycle Assessment approach to the entire Product stage from raw material through manufacturing (A1-A3))

**Kompan A/S**  
 C.F. Tietgens Boulevard 32C  
 DK-5220 Odense SØ  
 Denmark



## Verification of CO<sub>2</sub> calculation of: Nature play



Data version no. 2023-10-05

The CO<sub>2</sub> calculation and data are in compliance with the principles of a carbon footprint impact according to the GHG protocol (Greenhouse Gas Protocol), Scope 3, cradle to gate related to all individual components in the product category: "Nature play" represented by item no.: NRO409-0621.

(Scope 3 emissions include emission sources in the upstream and downstream value chain).

**Date: 30. October 2023 | Valid until: 30. October 2025**

Verified by:

Julie Marie Vejsgaard Larsen, LCA & EPD Consultant

Verification based on report: Validation of CO<sub>2</sub> calculation of 9 categories of Kompan product line, version 1.0, prepared by: Bureau Veritas HSE, Denmark: Julie M. V. Larsen.

**Publication date: 30. October 2023**

By Bureau Veritas HSE  
 www.bureauveritas.dk  
 +45 7731 1000

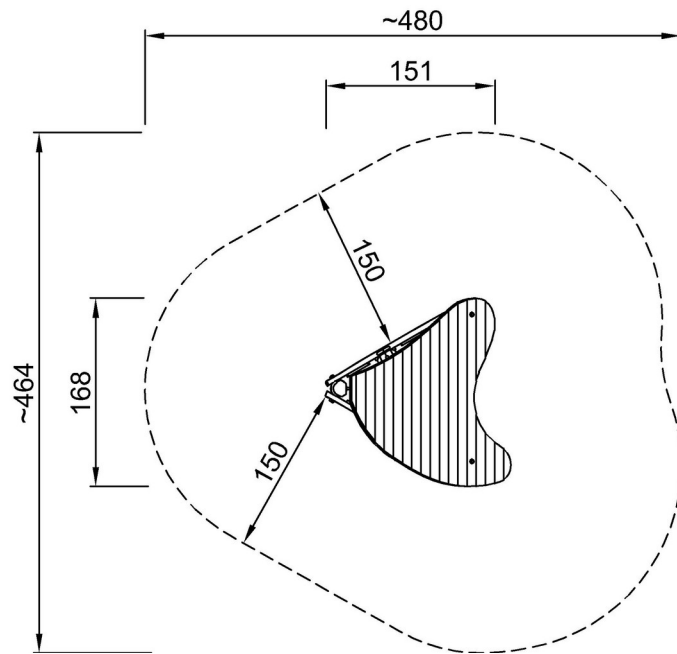


# Playhouse with Roof

NRO401

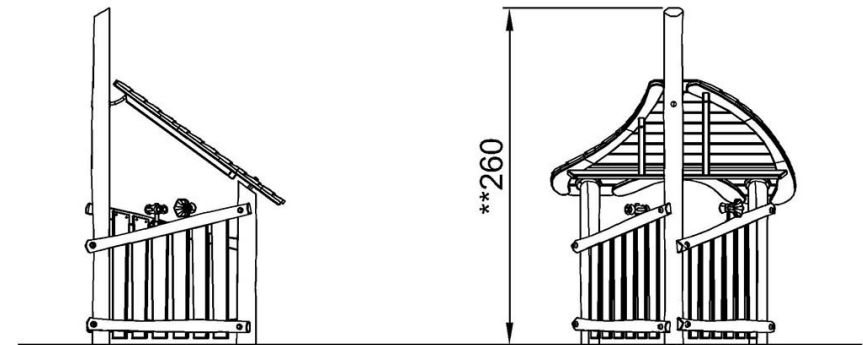
\* Max fall height | \*\* Total height | \*\*\* Safety surfacing area

\* Max fall height | \*\* Total height



NRO401

\*\*260cm  
\*\*\*~16.6m<sup>2</sup>



NRO401

[Click to see TOP VIEW](#)

[Click to see SIDE VIEW](#)