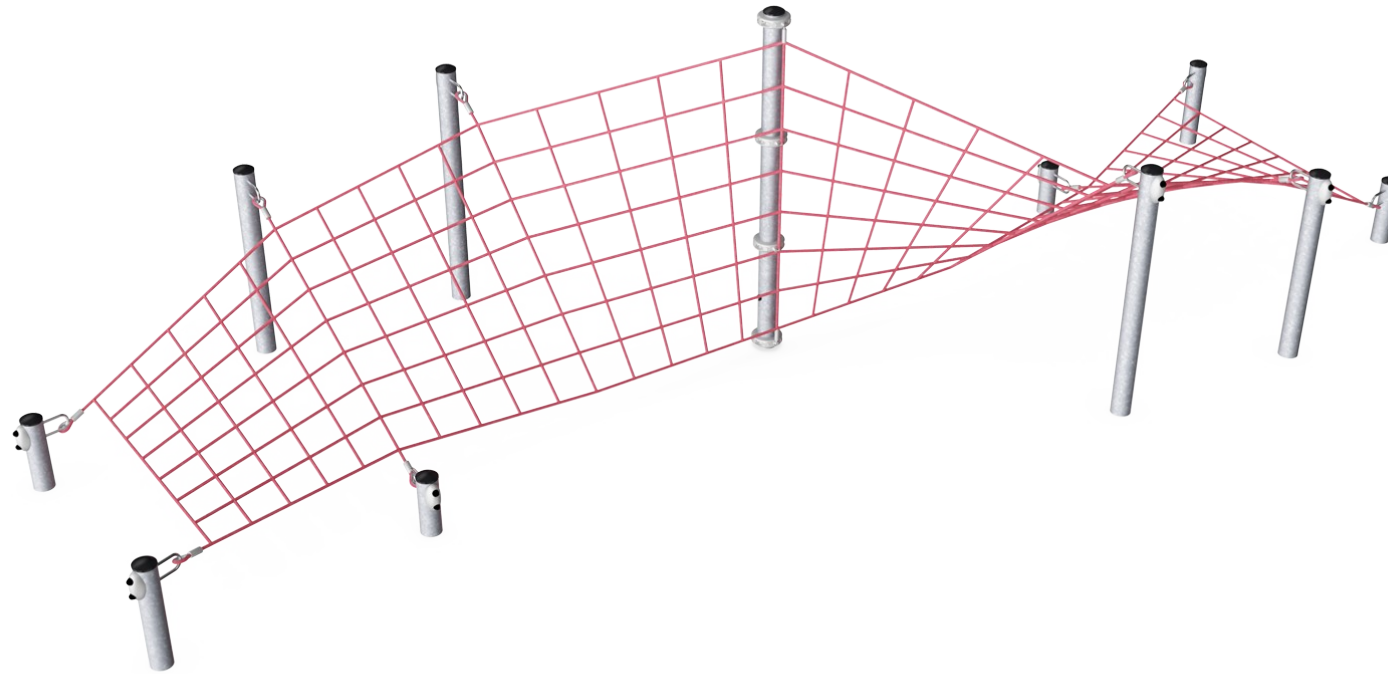


Corkscrew Net

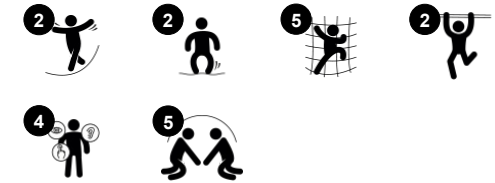
COR22900



Item no. COR229001-1101

General Product Information

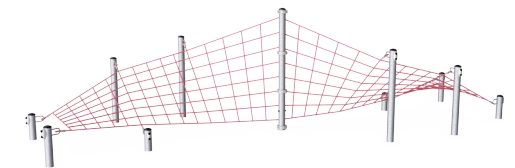
Dimensions LxWxH	996x423x250 cm
Age group	5+
Play capacity (users)	18
Colour options	



The Corkscrew Net is a trail of adventure that will inspire children and adults to challenge themselves and play for a long time, as they try to master the challenges of the structure. The extended space on the net encourages endurance in the skills of agility, balance, and coordination. These skills are necessary for overall physical fitness and they inspire the

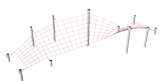
good feelings related to being physically active and setting goals to meet and accomplish. Children will be excited to navigate the twists and turns that offer just the right amount of challenge and reward with the thrill of accomplishment and the excitement of feeling their bodies in space. The open design supports social engagement and friendly turn-

taking and support that can be enjoyed by all.



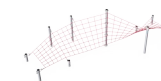
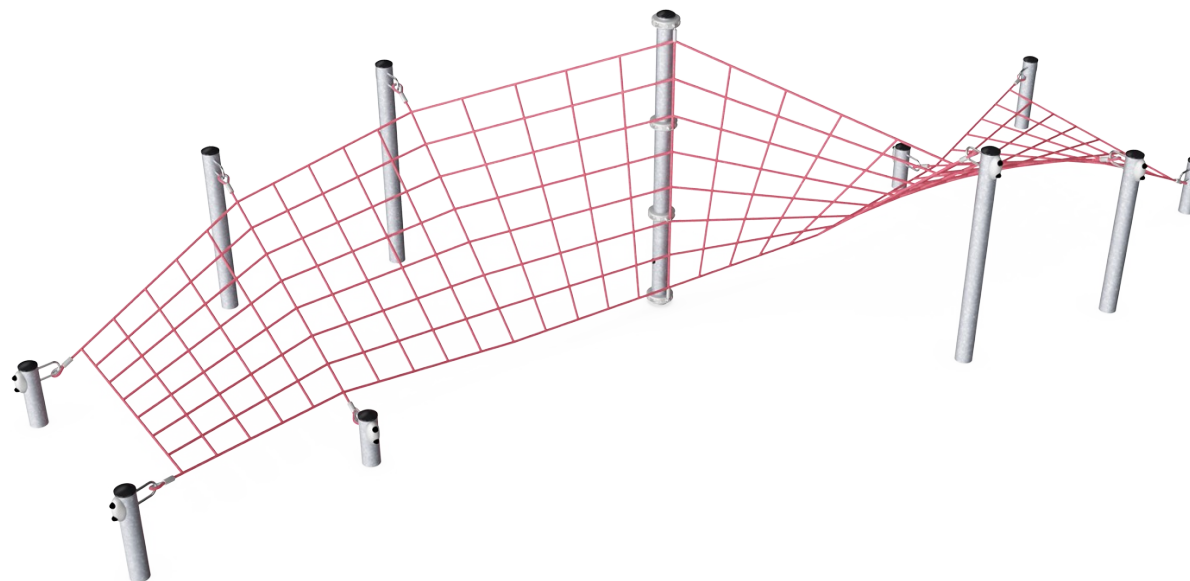
Corkscrew Net

COR22900



Height

Social-Emotional: children develop courage and self-regulation when being up high. This positively affects self-confidence.



Twisted quadrangle amusement net

Physical: the twisted, transparent climb supports cross coordination as well as sense of balance and space. Core, leg and arm muscles are trained extensively. **Social-Emotional:** twisted shape creates varied seating possibilities and interaction. Develops empathy and cooperation.



Mid climbing pole

Physical: crawling up and down the sturdy pole trains all muscles as well as coordination. **Social-Emotional:** the destination of the mid pole invites meeting and exchanging and spurs cooperation.

Corkscrew Net

COR22900



Corocord ropes with 19mm+ diameter are known as a 'Hercules' rope type which is formed from galvanised six-stranded steel wires. Each strand is tightly wrapped with PES yarn, which is melted onto each individual strand. Ropes are highly wear-and vandalism-resistant and can be easily replaced on-site if needed.



Designed to allow the typical function of rope play structures to move Corocord 'S' clamps are used as universal connections in Corocord products. 8mm stainless steel rods with rounded edges are pressed around the ropes with a special hydraulic press, making them the ideal connector. Our clamps are safe, durable and vandalism-proof.



The steel structures are hot-dip galvanised inside and outside with lead free zinc. The galvanisation has excellent corrosion resistance and requires low maintenance.



Corocord aluminium clamps are used as connectors between steel posts and rope. Two aluminium castings are bolted together. The height of the clamps is thus variable.



You can choose between seven rope colours to create a customised solution for your playscape. Colours options range from elegant and expressive black or natural and toned-down hemp colour to attractive and eye-catching signal colours.

Item no. COR229001-1101

Installation Information

Max. fall height	250 cm
Safety surfacing area	70.7 m ²
Total installation time	13.6
Excavation volume	18.19 m ³
Concrete volume	11.60 m ³
Footing depth (standard)	110 cm
Shipment weight	674 kg
Anchoring options	In-ground ✓

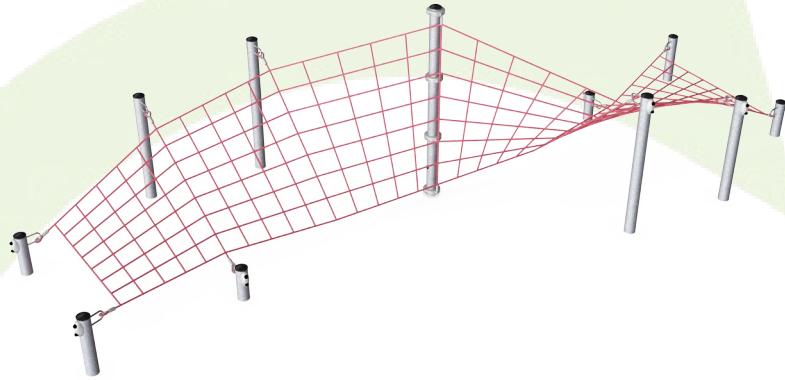
Warranty Information

Aluminium Clamps	10 years
Corocord (Hercules) Rope	10 years
Galvanised Steel	Lifetime
S-Clamps	10 years
Spare Parts Guarantee	10 years

AS
4685
compliant

Sustainability Data

COR22900



Cradle to Gate A1-A3	Total CO ₂ emission	CO ₂ e/kg	Recycled materials
	kg CO ₂ e	kg CO ₂ e/kg	%
COR229001-1101	1,561.46	3.19	49.48

The overall framework applied for these factors is the Environmental Product Declaration (EPD), which quantifies "environmental information on the life cycle of a product and enable comparisons between products fulfilling the same function" (ISO, 2006). This follows the structure and applies a Life-Cycle Assessment approach to the entire Product stage from raw material through manufacturing (A1-A3))

Kompan A/S
 C.F. Tietgens Boulevard 32C
 DK-5220 Odense SØ
 Denmark



Verification of CO₂ calculation of: Corocord



Data version no. 2023-10-05

The CO₂ calculation and data are in compliance with the principles of a carbon footprint impact according to the GHG protocol (Greenhouse Gas Protocol), Scope 3, cradle to gate related to all individual components in the product category: "Corocord" represented by item no.: COR314011-1101.

(Scope 3 emissions include emission sources in the upstream and downstream value chain).

Date: 30. October 2023 | Valid until: 30. October 2025

Verified by:

Julie Marie Vejsgaard Larsen, LCA & EPD Consultant

Verification based on report: Validation of CO₂ calculation of 9 categories of Kompan product line, version 1.0, prepared by: Bureau Veritas HSE, Denmark: Julie M. V. Larsen.

Publication date: 30. October 2023

By Bureau Veritas HSE
 www.bureauveritas.dk
 +45 7731 1000

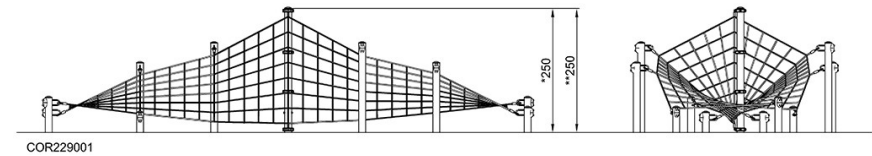
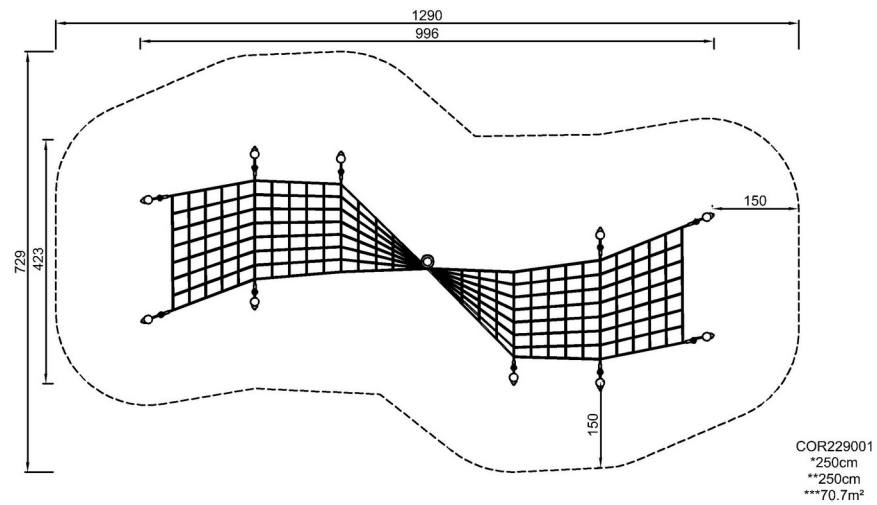


Corkscrew Net

COR22900

* Max fall height | ** Total height | *** Safety surfacing area

* Max fall height | ** Total height



[Click to see TOP VIEW](#)

[Click to see SIDE VIEW](#)