

Forest Tower with Curly Climber

NRO1012

KOMPAN
Let's play



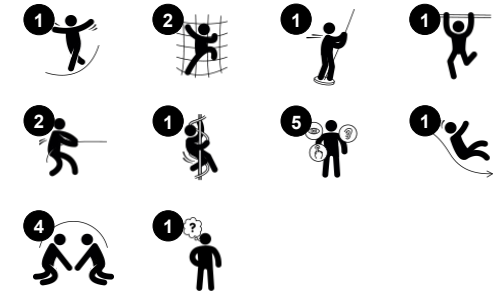
The Forest Tower with Curly Climber is fantastic play inspiration for children. The inclined climbing wall is a challenging access point, which challenges children's cross-coordination skills. This stimulates cross-modal perception, which is fundamental for reading skills. On the platform, there is a nice view of the surroundings, and an important choice to

make on how to get to the ground; the stable slide or the rotating movement of the Curly Climber? Sliding is great for the senses of balance and space, both necessary in judging distances correctly and navigating the world securely. The Curly Climber intensely trains the proprioception and sense of space and balance.

Item no. NRO1012-1021

General Product Information

Dimensions LxWxH	258x419x415 cm
Age group	4+
Play capacity (users)	8
Color options	



Forest Tower with Curly Climber

NRO1012



All Organic Robinia products by KOMPAN are made of Robinia wood from sustainable European sources. On request it can be supplied as FSC® Certified (FSC® C004450).



The paint used for coloured components is water based environmentally friendly with excellent UV resistance. The paint is in compliance with EN 71 Part 3.



The product/activities are preassembled from the factory to ensure all safety requirements are considered.

Item no. NRO1012-1021

Installation Information

Max. fall height	220 cm
Safety surfacing area	31.2 m ²
Total installation time	15.5
Excavation volume	1.03 m ³
Concrete volume	0.13 m ³
Footing depth (standard)	100 cm
Shipment weight	813 kg
Anchoring options	In-ground ✓



Ropes of UV-stabilized PES rope strands with inner steel cable reinforcement. The polyester yarn is made from +95% post-consumer materials and is inductively melted onto each strand.



The stainless-steel slides with one-piece slide bed are made of high-quality stainless-steel AISI 304.



The Robinia products are designed with a KOMPAN colour concept with a number of different standard colours. The wood can also be supplied as untreated or with brown painted with a pigment that maintains the wood colour.



Sustainability Data

NRO1012



Cradle to Gate A1-A3	Total CO ₂ emission	CO ₂ e/kg	Recycled materials
	kg CO ₂ e	kg CO ₂ e/kg	%
NRO1012-1021	447.30	0.71	7.60

The overall framework applied for these factors is the Environmental Product Declaration (EPD), which quantifies "environmental information on the life cycle of a product and enable comparisons between products fulfilling the same function" (ISO, 2006). This follows the structure and applies a Life-Cycle Assessment approach to the entire Product stage from raw material through manufacturing (A1-A3))

Kompan A/S
 C.F. Tietgens Boulevard 32C
 DK-5220 Odense SØ
 Denmark



Verification of CO₂ calculation of: Nature play



Data version no. 2023-10-05

The CO₂ calculation and data are in compliance with the principles of a carbon footprint impact according to the GHG protocol (Greenhouse Gas Protocol), Scope 3, cradle to gate related to all individual components in the product category: "Nature play" represented by item no.: NRO409-0621.

(Scope 3 emissions include emission sources in the upstream and downstream value chain).

Date: 30. October 2023 | Valid until: 30. October 2025

Verified by:

Julie Marie Vejsgaard Larsen, LCA & EPD Consultant

Verification based on report: Validation of CO₂ calculation of 9 categories of Kompan product line, version 1.0, prepared by: Bureau Veritas HSE, Denmark: Julie M. V. Larsen.

Publication date: 30. October 2023

By Bureau Veritas HSE
 www.bureauveritas.dk
 +45 7731 1000

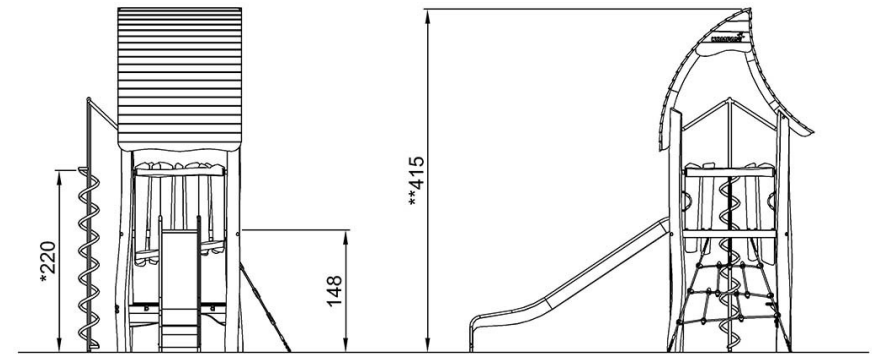
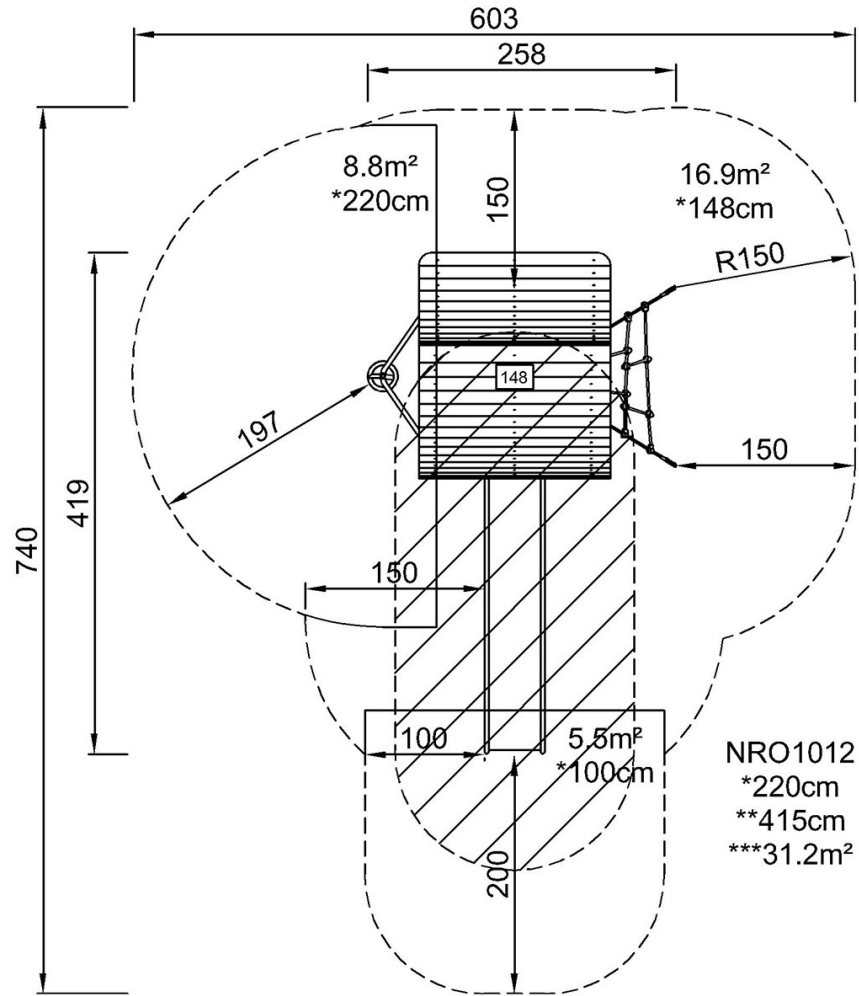


Forest Tower with Curly Climber

NRO1012

* Max fall height | ** Total height | *** Safety surfacing area

* Max fall height | ** Total height



NRO1012

[Click to see TOP VIEW](#)

[Click to see SIDE VIEW](#)