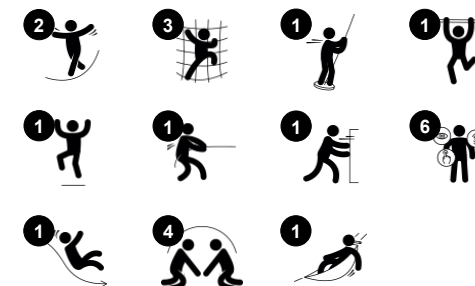


Double Tower with Fireman's Pole

KPL2013



| Item no. KPL201311-0901 | |
|-----------------------------|---|
| General Product Information | |
| Dimensions LxWxH | 326x383x307 cm |
| Age group | 2+ |
| Play capacity (users) | 15 |
| Colour options | ● ● |



A classic play unit filled with many different challenges matched with its vibrant colours attracts children again and again with its open net bridge linking children to thrills of sliding and climbing. The tall climbing wall, the slide, the open net bridge, and the tall climbing net all create a play variety that makes children want to come back again and again. Besides being

great fun, this will also train the child's motor skills as well as muscles. When doing somersaults on the somersault bar, the child trains their sense of space and balance, both mandatory when building up life skills such as judging distances. The see-through net bridge adds thrill, giving the child a sense the height. The big net has small and big meshes,

facilitating climbing up and through. Topped with a slide for a fun exit and a fireman's pole for the daredevils amongst us. Fun and building life skills, all in one. With great colour dynamics to fit all environments, with pinewood posts or aluminium posts, plastic slide, or full steel. Let your imagination play.



Double Tower with Fireman's Pole

KPL2013



Somersault bar

Physical: develop balance, spatial awareness, core, arm and leg muscles, when climbing up and hanging. **Social-Emotional:** meeting, socialising and turn-taking when climbing up and down via bar.



Slide

Physical: develops spatial awareness, sense of balance and trains core muscles when sitting upright going down. **Social-Emotional:** empathy stimulated by turn-taking. **Cognitive:** young children develop their understanding of space, speed and distances when sliding down.



Climbing net

Physical: children develop cross-body coordination and muscle strength when climbing. The big mesh supports proprioception and spatial awareness. **Social-Emotional:** the big meshes allow for more children to sit together and talk.



Pipe ladder

Physical: cross coordination and eye-hand coordination are supported when children climb the ladder. The climbing also supports leg and arm muscles. **Social-Emotional:** learning about turn taking and cooperation.



Fireman's pole

Physical: supports coordination, arm and core muscles. Landing strengthens bone density. **Social-Emotional:** turn-taking and risk-taking. **Cognitive:** young children develop their understanding of space, speed and distances when gliding down fast.



Net bridge

Physical: children develop their balance, cross coordination and spatial awareness in the open net. **Social-Emotional:** interaction with children outside, socialising. Cooperation and consideration, e.g. when passing others.



Rock climber

Physical: supports cross coordination and leg, arm and hand strength. **Social-Emotional:** the inclination makes climbing feel secure, especially for younger children.

Double Tower with Fireman's Pole

KPL2013



Panels of 19mm EcoCore™. EcoCore™ is a highly durable, eco-friendly material, which is not only recyclable after use but also consists of a core produced from 100% recycled material.



The main tower posts are available in two types of material: European pine wood posts pressure impregnated Class 3 with Tanalith E preservative, or aluminium with an anodised surface treatment.



Floors and panel activities are manufactured from high-pressure laminate HPL with a thickness 17.8mm and non-skid surface texture.

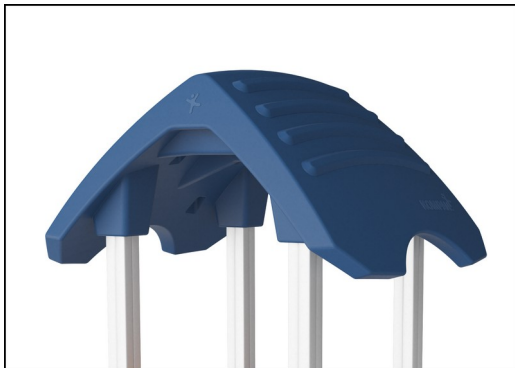
Item no. KPL201311-0901

Installation Information

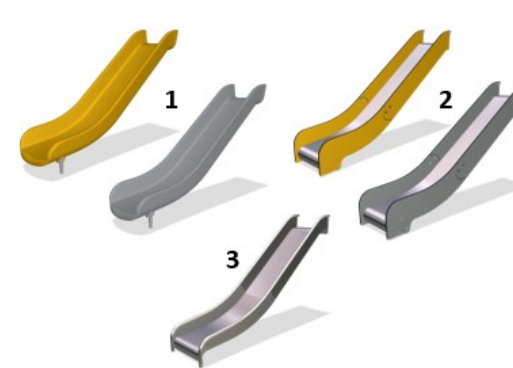
| | |
|--------------------------|--------------------------|
| Max. fall height | 118 cm |
| Safety surfacing area | 32.7 m ² |
| Total installation time | 14.7 |
| Excavation volume | 1.54 m ³ |
| Concrete volume | 0.00 m ³ |
| Footing depth (standard) | 90 cm |
| Shipment weight | 395 kg |
| Anchoring options | In-ground ✓ Surface ✓ |

Warranty Information

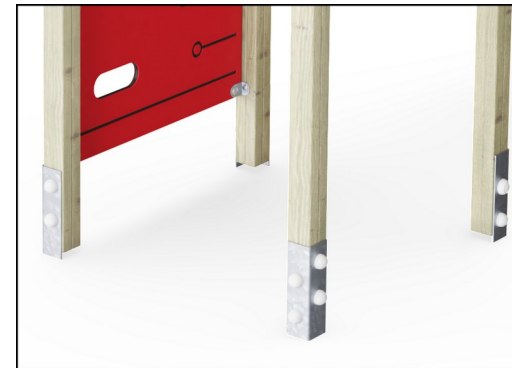
| | |
|-----------------------|----------|
| Aluminum | 15 years |
| EcoCore HDPE | Lifetime |
| Pinewood | 10 years |
| Ropes & Nets | 10 years |
| Spare Parts Guarantee | 10 years |



The large hollow components are made of 100% recyclable PE. The roof displayed is moulded in one piece with minimum 5,5mm wall thickness to ensure high durability in all climates around the world.



Slides are available in three different materials: moulded on piece PE slides, combined EcoCore™ sides and stainless steel slide bed t=2mm. Full stainless steel AISI304 t=2mm.



The main posts are equipped with hot-dip galvanised steel footings. The steel footings elevate the posts position 20mm from ground level to avoid contact with surfacing material.



Sustainability Data

KPL2013



| Cradle to Gate A1-A3 | Total CO ₂ emission | CO ₂ e/kg | Recycled materials |
|-----------------------|--------------------------------|-------------------------|--------------------|
| | kg CO ₂ e | kg CO ₂ e/kg | % |
| KPL201311-0901 | 524.37 | 1.72 | 26.46 |

The overall framework applied for these factors is the Environmental Product Declaration (EPD), which quantifies "environmental information on the life cycle of a product and enable comparisons between products fulfilling the same function" (ISO, 2006). This follows the structure and applies a Life-Cycle Assessment approach to the entire Product stage from raw material through manufacturing (A1-A3))

Kompan A/S
 C.F. Tietgens Boulevard 32C
 DK-5220 Odense SØ
 Denmark



Verification of CO₂ calculation of: Play systems



Data version no. 2023-10-05

The CO₂ calculation and data are in compliance with the principles of a carbon footprint impact according to the GHG protocol (Greenhouse Gas Protocol), Scope 3, cradle to gate related to all individual components in the product category: "Play systems" represented by item no.: PCM200321-0950.

(Scope 3 emissions include emission sources in the upstream and downstream value chain).

Date: 30. October 2023 | Valid until: 30. October 2025

Verified by:

Julie Marie Vejsgaard Larsen, LCA & EPD Consultant

Verification based on report: Validation of CO₂ calculation of 9 categories of Kompan product line, version 1.0, prepared by: Bureau Veritas HSE, Denmark: Julie M. V. Larsen.

Publication date: 30. October 2023

By Bureau Veritas HSE
 www.bureauveritas.dk
 +45 7731 1000

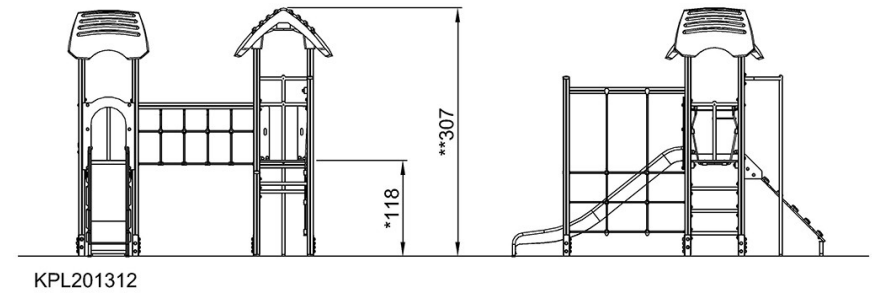
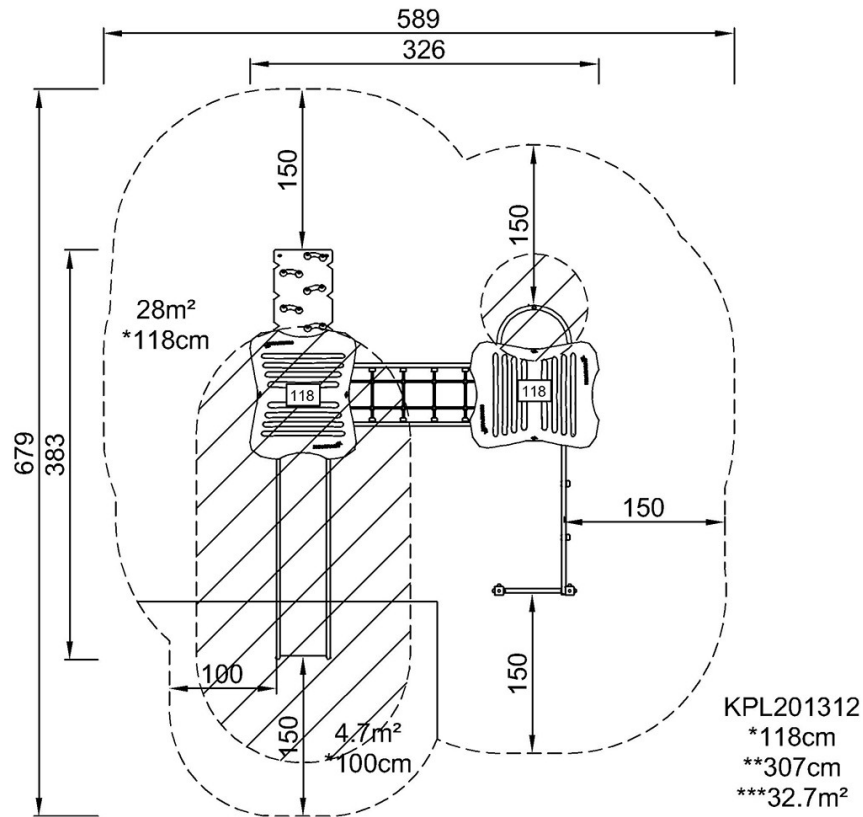


Double Tower with Fireman's Pole

KPL2013

* Max fall height | ** Total height | *** Safety surfacing area

* Max fall height | ** Total height



[Click to see TOP VIEW](#)

[Click to see SIDE VIEW](#)