

# Forest Lake Boat


NRO514



This little boat is a wonderful role play setting for hours of imaginative play. The boat theme encourage hours of play, uniting children around a hugely popular role play theme, sailing off into unknown land. The seat in the rear and the rotatable steering wheel add to imagination and the binoculars add to the tactile, rotating elements of the boat. These

elements, apart from offering response and variety in tactile stimulation, evoke the sense of wonder sparking imagination and dramatic play. Dramatic play and role play function as children's way of negotiating through experiences they don't fully understand or that fascinate them. When doing so, they train their communication, turn-taking and language skills

which help children avoid physical conflict. Eventually it will stimulate the ability to form friendships.

Item no. NRO514-1021	
<b>General Product Information</b>	
Dimensions LxWxH	145x332x250 cm
Age group	2+
Play capacity (users)	8
Colour options	



Data is subject to change without prior notice.

# Forest Lake Boat

NRO514



## Steering wheel

**Cognitive:** the manipulative steering wheel invites dramatic play which supports language and communication skills.



## Binoculars

**Cognitive:** the binoculars set a tangible theme and thus spur dramatic play. Dramatic play is a great trainer of language and communication skills. **Creative:** the binoculars can be turned in all directions. Looking through them gives a new perspective on the world.



## Theme

**Cognitive:** suggests a theme and supports dramatic play, which stimulates language and communication skills.



## Open space in front

**Social-Emotional:** the bench along the keel is a great space for meeting and exchanging.



## Bench

**Social-Emotional:** the bench is big enough for two and makes a nice meeting point. Sitting closely together with friends is good for children's social skills and well-being.

# Forest Lake Boat

NRO514



All Organic Robinia products by KOMPAN are made of Robinia wood from sustainable European sources. On request it can be supplied as FSC® Certified (FSC® C004450).



The paint used for coloured components is water based environmental friendly with excellent UV resistance. The paint is in compliance with EN 71 Part 3.



The Robinia products are designed with a KOMPAN colour concept with a number of different standard colours. The wood can also be supplied as untreated or with brown painted with a pigment that maintains the wood colour.



The forest lake boat is available with a deck of Robinia wood or without a deck. The version without deck is tailored for rubber surfacing where the colour and theme of the surfacing is visible inside the boat.



The product/activities are preassembled from the factory to ensure all safety requirements are considered.



The Robinia wood can be supplied as untreated raw wood, painted with a brown coloured transparent pigment that maintains the golden wood colour or in a coloured version where selected components are painted in different colours.

Item no. NRO514-1021

### Installation Information

Max. fall height	100 cm
Safety surfacing area	23.0 m <sup>2</sup>
Total installation time	12.6
Excavation volume	1.34 m <sup>3</sup>
Concrete volume	0.00 m <sup>3</sup>
Footing depth (standard)	100 cm
Shipment weight	704 kg
Anchoring options	In-ground ✓

### Warranty Information

Robinia wood	15 years
Ropes & nets	10 years
Spare parts guaranteed	10 years
Stainless steel components	Lifetime
Stainless steel components	Lifetime



# Sustainability Data

NRO514



Cradle to Gate A1-A3	Total CO <sub>2</sub> emission	CO <sub>2</sub> e/kg	Recycled materials
	kg CO <sub>2</sub> e	kg CO <sub>2</sub> e/kg	%
<b>NRO514-1021</b>	115.68	0.18	1.15

The overall framework applied for these factors is the Environmental Product Declaration (EPD), which quantifies "environmental information on the life cycle of a product and enable comparisons between products fulfilling the same function" (ISO, 2006). This follows the structure and applies a Life-Cycle Assessment approach to the entire Product stage from raw material through manufacturing (A1-A3))

**Kompan A/S**  
 C.F. Tietgens Boulevard 32C  
 DK-5220 Odense SØ  
 Denmark



## Verification of CO<sub>2</sub> calculation of: Nature play



Data version no. 2023-10-05

The CO<sub>2</sub> calculation and data are in compliance with the principles of a carbon footprint impact according to the GHG protocol (Greenhouse Gas Protocol), Scope 3, cradle to gate related to all individual components in the product category: "Nature play" represented by item no.: NRO409-0621.

(Scope 3 emissions include emission sources in the upstream and downstream value chain).

**Date: 30. October 2023 | Valid until: 30. October 2025**

**Verified by:**

Julie Marie Vejsgaard Larsen, LCA & EPD Consultant

Verification based on report: Validation of CO<sub>2</sub> calculation of 9 categories of Kompan product line, version 1.0, prepared by: Bureau Veritas HSE, Denmark: Julie M. V. Larsen.

**Publication date: 30. October 2023**

**By Bureau Veritas HSE**  
 www.bureauveritas.dk  
 +45 7731 1000

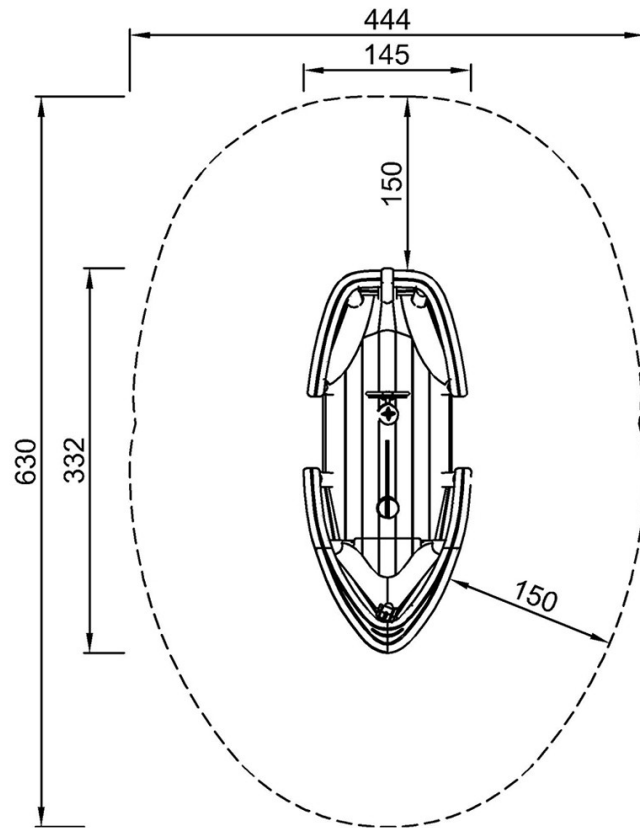


# Forest Lake Boat

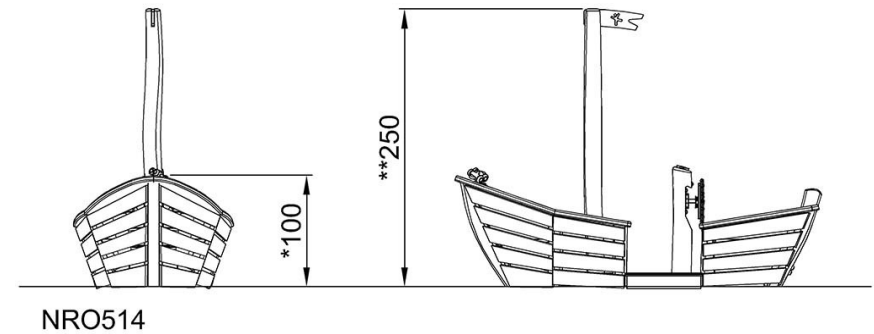
NRO514

\* Max fall height | \*\* Total height | \*\*\* Safety surfacing area

\* Max fall height | \*\* Total height



NRO514  
\*100cm  
\*\*250cm  
\*\*\*23m<sup>2</sup>



[Click to see TOP VIEW](#)

[Click to see SIDE VIEW](#)