

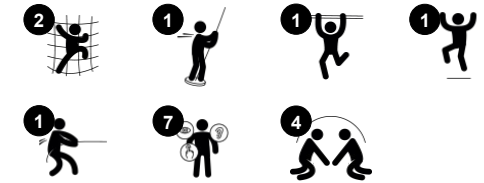
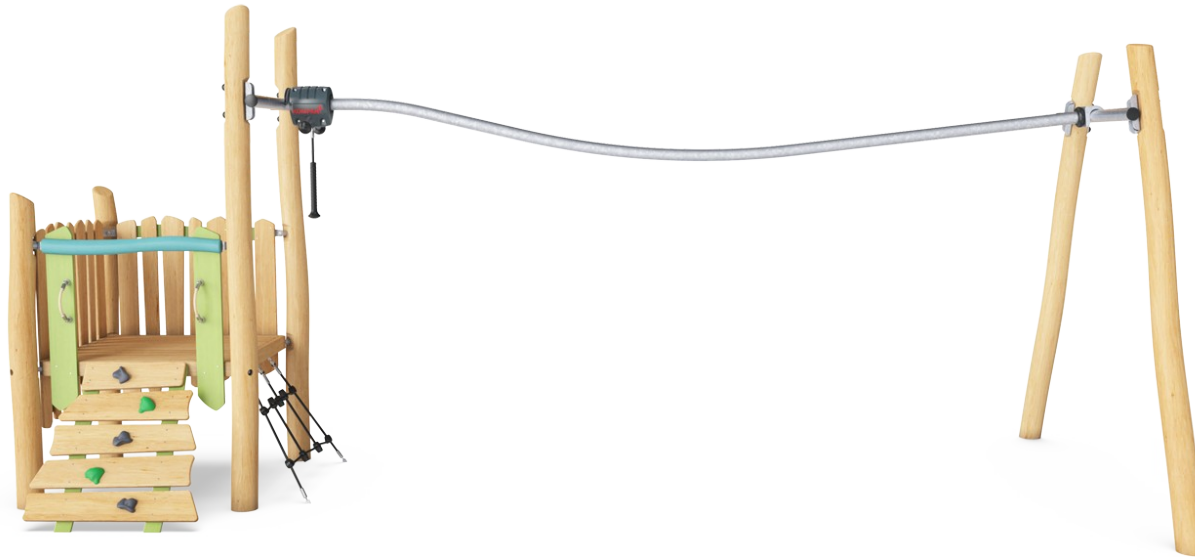
Track Ride Tower

NRO1027

Item no. NRO1027-1021

General Product Information

Dimensions LxWxH	682x320x298 cm
Age group	6+
Play capacity (users)	5
Colour options	

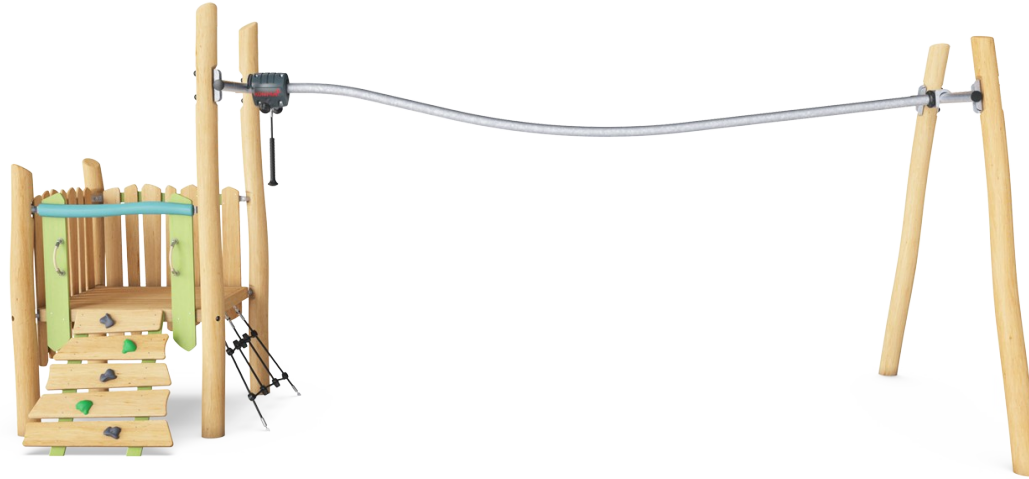


The Track Ride Tower is the recipe for dynamic play success in your playground, and will make children return to play again and again. It is fantastic for very young users (with help from an adult), through to advanced users who flip their legs up at the end and push themselves all the way back to the platform. It is made from natural Robinia timber, which provides an

organic structure that can either blend into or stand out from your surrounds. Children can touch and feel the timber while playing, observing how nature inspiration interacts with the built environment.

Track Ride Tower

NRO1027



Track ride

Physical: supports bone density, motor skills like agility, balance and coordination. Trains arm and core muscles. **Social-Emotional:** cooperation, consideration, turn-taking, risk-taking, self-confidence.



Rock climber

Physical: supports cross coordination and leg, arm and hand strength. The hand-holds on top ease entry into platform. **Social-Emotional:** the inclination makes climbing feel secure, especially for younger children.

Track Ride Tower

NRO1027



All organic Robinia products by KOMPAN are made of Robinia wood which is sourced from sustainable plantation farms. On request it can be supplied as FSC® Certified (FSC® C004450).



The paint used for coloured components is water based, which is environmentally friendly and has excellent UV resistance. The paint complies with Australian Standards.



The hardware is made of stainless steel or galvanised steel to ensure durable connections that has high corrosion resistance.

Item no. NRO1027-1021

Installation Information

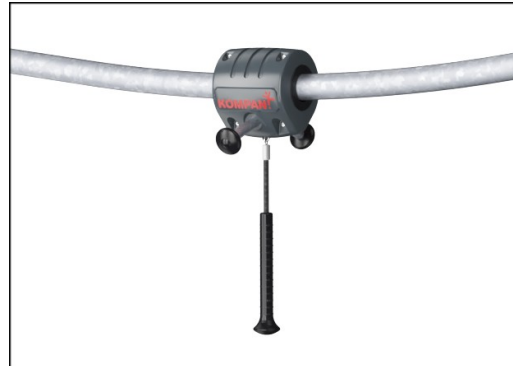
Max. fall height	100 cm
Safety surfacing area	40.5 m ²
Total installation time	14.3
Excavation volume	1.56 m ³
Concrete volume	0.15 m ³
Footing depth (standard)	100 cm
Shipment weight	772 kg
Anchoring options	In-ground ✓

Warranty Information

Robinia Wood	15 years
Ropes & Nets	10 years
Spare Parts Guarantee	10 years
Stainless Steel Components	Lifetime
Stainless Steel Components	Lifetime



Ropes of UV-stabilized PES rope strands with inner steel cable reinforcement. The polyester yarn is made from +95% post-consumer materials and is inductively melted onto each strand.



The hang-on puller is designed with a welded steel core and covered with low-density PE housing. The two hot-dip galvanised steel handles are angled to provide the best possible ergonomic while gliding. The wheels of the puller are made of low noise TPU and installed with sealed ball bearings.

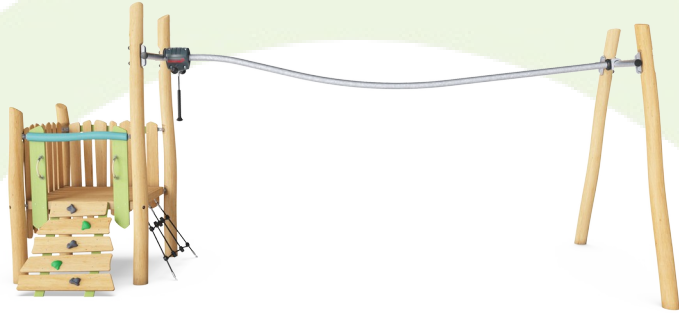


The Robinia products come in a number of standard colour options. The wood can also be supplied as untreated or with brown painted with a pigment that maintains the wood colour.



Sustainability Data

NRO1027



Cradle to Gate A1-A3	Total CO ₂ emission	CO ₂ e/kg	Recycled materials
	kg CO ₂ e	kg CO ₂ e/kg	%
NRO1027-1021	332.10	0.58	8.66

The overall framework applied for these factors is the Environmental Product Declaration (EPD), which quantifies "environmental information on the life cycle of a product and enable comparisons between products fulfilling the same function" (ISO, 2006). This follows the structure and applies a Life-Cycle Assessment approach to the entire Product stage from raw material through manufacturing (A1-A3))

Kompan A/S
 C.F. Tietgens Boulevard 32C
 DK-5220 Odense SØ
 Denmark



Verification of CO₂ calculation of: Nature play



Data version no. 2023-10-05

The CO₂ calculation and data are in compliance with the principles of a carbon footprint impact according to the GHG protocol (Greenhouse Gas Protocol), Scope 3, cradle to gate related to all individual components in the product category: "Nature play" represented by item no.: NRO409-0621.

(Scope 3 emissions include emission sources in the upstream and downstream value chain).

Date: 30. October 2023 | Valid until: 30. October 2025

Verified by:

Julie Marie Vejsgaard Larsen, LCA & EPD Consultant

Verification based on report: Validation of CO₂ calculation of 9 categories of Kompan product line, version 1.0, prepared by: Bureau Veritas HSE, Denmark: Julie M. V. Larsen.

Publication date: 30. October 2023

By Bureau Veritas HSE
 www.bureauveritas.dk
 +45 7731 1000

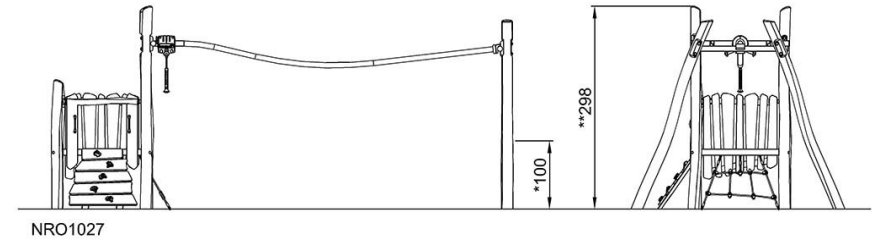
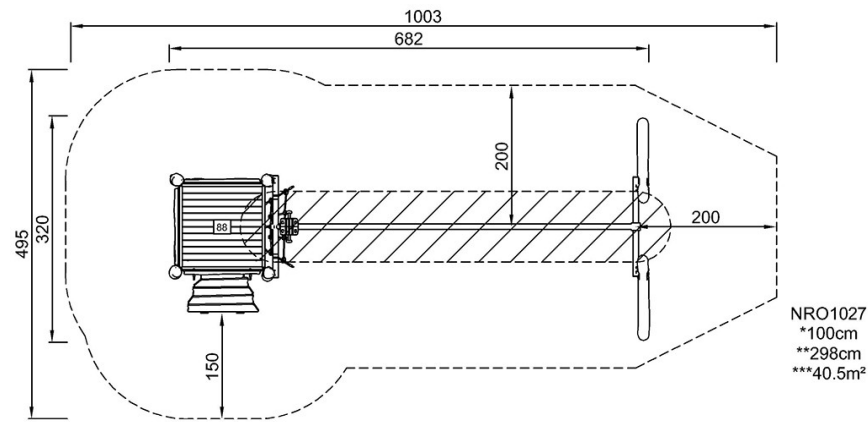


Track Ride Tower

NRO1027

* Max fall height | ** Total height | *** Safety surfacing area

* Max fall height | ** Total height



[Click to see TOP VIEW](#)

[Click to see SIDE VIEW](#)