

# Transfer Podium

CRP201301



Item no. CRP201301-0901

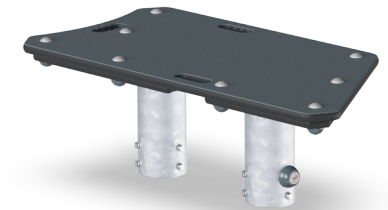
## General Product Information

|                       |               |
|-----------------------|---------------|
| Dimensions LxWxH      | 418x350x28 cm |
| Age group             | 2+            |
| Play capacity (users) |               |
| Color options         | ●             |



The Transfer Podium eases access for the youngest or smallest users. Additionally, the Podium makes for a fine rest point or a meeting point for children playing. Adding resting points and podiums to playgrounds often add the glue needed to cater for meeting and exchanging. It also facilitates usability for the youngest. Additionally, it adds a meeting point

for care givers or parents who can casually or actively follow the play of the children.



# Transfer Podium

CRP201301



## Lower platform

**Physical:** climbing up, jumping down develops muscle and motor skills such as coordination, which are important in navigating your body securely through the world. **Social-Emotional:** children can sit and talk together. The step helps children who need extra height to maneuver the tap and water channel.



# Transfer Podium

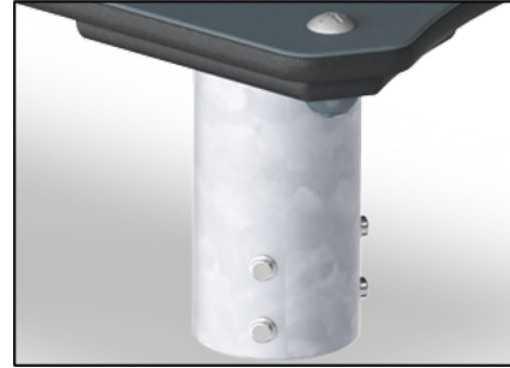
CRP201301



Upper plate is made of Ekogrip® panel that consist of a 15mm thick PE base with 3 mm top-layer of soft rubber with a non-skid effect.



Lower base plate is made of 19mm EcoCore™. EcoCore™ is a highly durable, eco friendly material, which is not only recyclable after use, but also consists of material produced from +95% recycled post consumer material from food packing waste.



The steel surfaces are hot dip galvanised inside and outside with lead free zinc. The galvanisation has excellent corrosion resistance in outside environments and requires low maintenance.

Item no. CRP201301-0901

## Installation Information

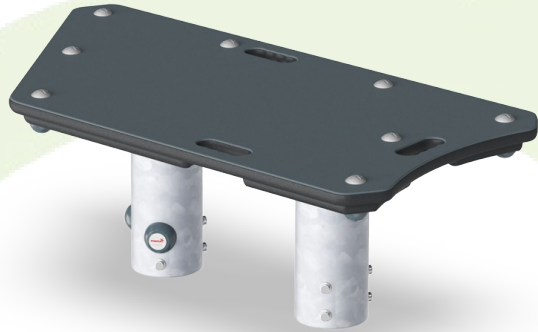
|                          |                          |
|--------------------------|--------------------------|
| Max. fall height         | 28 cm                    |
| Safety surfacing area    | 11.9 m <sup>2</sup>      |
| Total installation time  | 2.4                      |
| Excavation volume        | 0.05 m <sup>3</sup>      |
| Concrete volume          | 0.00 m <sup>3</sup>      |
| Footing depth (standard) | 85 cm                    |
| Shipment weight          | 37 kg                    |
| Anchoring options        | Surface ✓<br>In-ground ✓ |

## Warranty Information

|                          |          |
|--------------------------|----------|
| EcoCore HDPE             | Lifetime |
| Hot dip galvanised steel | Lifetime |
| Spare parts guaranteed   | 10 years |

# Sustainability Data

CRP201301



| Cradle to Gate A1-A3 | Total CO <sub>2</sub> emission | CO <sub>2</sub> e/kg    | Recycled materials |
|----------------------|--------------------------------|-------------------------|--------------------|
|                      | kg CO <sub>2</sub> e           | kg CO <sub>2</sub> e/kg | %                  |
| CRP201301-0901       | 71.62                          | 2.46                    | 46.17              |

The overall framework applied for these factors is the Environmental Product Declaration (EPD), which quantifies "environmental information on the life cycle of a product and enable comparisons between products fulfilling the same function" (ISO, 2006). This follows the structure and applies a Life-Cycle Assessment approach to the entire Product stage from raw material through manufacturing (A1-A3))

**Kompan A/S**  
 C.F. Tietgens Boulevard 32C  
 DK-5220 Odense SØ  
 Denmark



## Verification of CO<sub>2</sub> calculation of: Corocord



Data version no. 2023-10-05

The CO<sub>2</sub> calculation and data are in compliance with the principles of a carbon footprint impact according to the GHG protocol (Greenhouse Gas Protocol), Scope 3, cradle to gate related to all individual components in the product category: "Corocord" represented by item no.: COR314011-1101.

(Scope 3 emissions include emission sources in the upstream and downstream value chain).

**Date: 30. October 2023 | Valid until: 30. October 2025**

Verified by:

Julie Marie Vejsgaard Larsen, LCA & EPD Consultant

Verification based on report: Validation of CO<sub>2</sub> calculation of 9 categories of Kompan product line, version 1.0, prepared by: Bureau Veritas HSE, Denmark: Julie M. V. Larsen.

**Publication date: 30. October 2023**

By Bureau Veritas HSE  
 www.bureauveritas.dk  
 +45 7731 1000

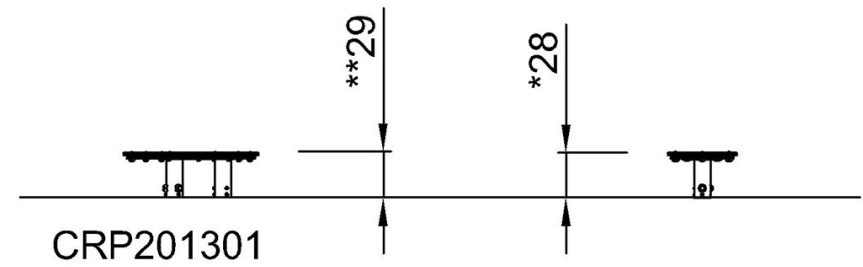
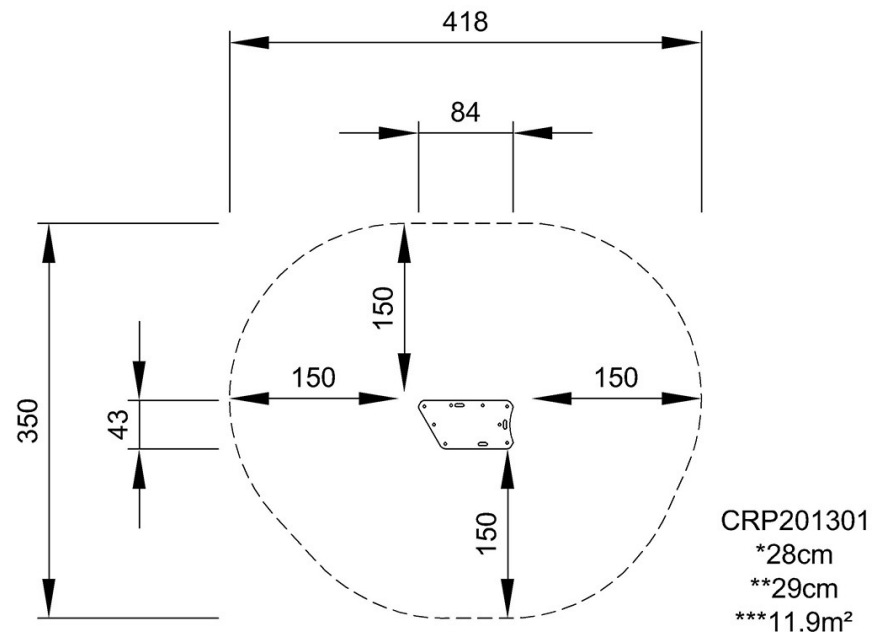


# Transfer Podium

CRP201301

\* Max fall height | \*\* Total height | \*\*\* Safety surfacing area

\* Max fall height | \*\* Total height



[Click to see TOP VIEW](#)

[Click to see SIDE VIEW](#)