

# Tree House

NAT505



The Tree House, with its sturdy look-out tower, red slide and cute climbing net attracts children immediately: they want to loop the stair and slide, enter the house and climb the net again and again. The versatile activities of the Tree House trains a rich variety of motor and muscle skills in toddlers: they train their spatial awareness and cross-coordination when

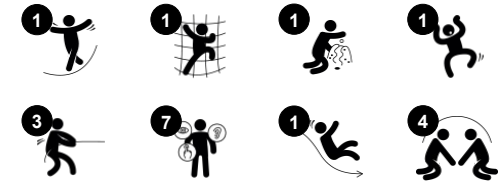
climbing or crawling onto the platform via the stairs or net. This fundamental motor skill stimulates the centres in the brain that support reading skills. When sliding from the Tree House, toddlers train their trunk stability and sense of balance. These are the basis of physical confidence in toddlers. The many tactile details, the red window, the binoculars

and the yellow play sphere spur exploration and conversation with friends. This makes the Tree House a social attraction.

Item no. NAT505-0612

## General Product Information

Dimensions LxWxH	158x322x215 cm
Age group	1+
Play capacity (users)	8
Colour options	



# Tree House

NAT505



## Binoculars

**Cognitive:** the binoculars set a tangible theme and thus spur dramatic play. Dramatic play is a great trainer of language and communication skills. **Creative:** the binoculars can be turned in all directions. Looking through them gives a new perspective on the world.



## Slide

**Physical:** sliding develops spatial awareness and a sense of balance. Furthermore, the core muscles are trained when sitting upright going down. **Social-Emotional:** empathy stimulated by turn-taking. **Cognitive:** young children develop their understanding of space, speed and distances when sliding down quickly.



## Climbing net

**Physical:** children develop cross-body coordination and muscle strength. The asymmetry of the net challenges the children's climbing and crawling through. **Social-Emotional:** the big meshes allow for more children seated together, sharing.

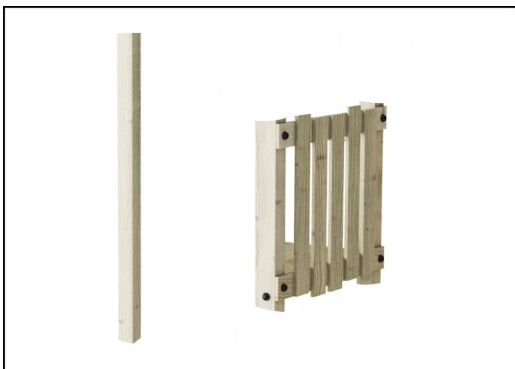


## Desk

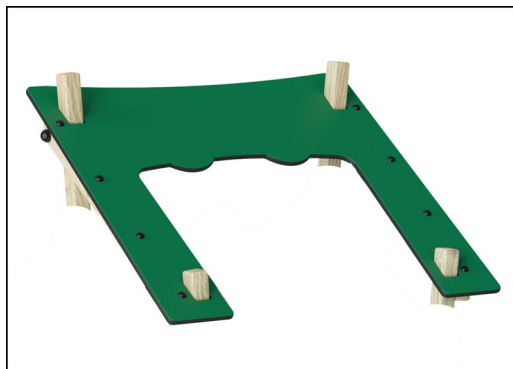
**Social-Emotional:** great meeting place and space creator for storing or sitting.

# Tree House

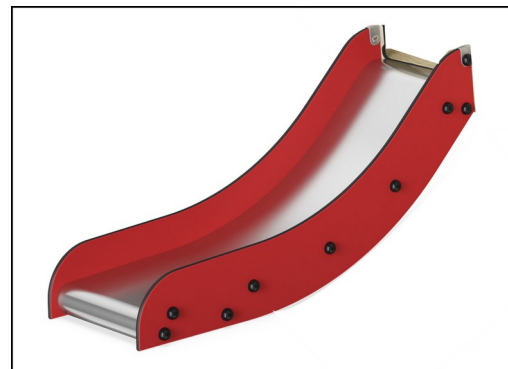
NAT505



Posts and boards are made of pine wood from sustainable European sources. The wood is pressure impregnated Class 3 with Tanalith E3475 according to EN335 (Equivalent to NTR Class AB). On request it can be supplied as FSC® Certified (FSC® C004450).



Panels of 19mm EcoCore™. EcoCore™ is a highly durable, eco friendly material, which is not only recyclable after use, but also consists of material produced from +95% recycled post consumer material from food packing waste.



The slide is made of combined EcoCore™ sides and stainless steel slide bed t=2mm.



Corocord ropes of UV-stabilized PES rope strands with inner steel cable reinforcement. The polyester yarn is made from +95% post-consumer materials and is inductively melted onto each strand. PES has high strength with excellent resistance to abrasion and UV radiation. The rope loops are assembled by aluminum connectors.



Binoculars are made of PUR. All components retain their properties in the temperature range of -30°C to 60°C. Material is UV stabilised.



The steel surfaces are hot dip galvanized inside and outside with lead free zinc. The galvanization has excellent corrosion resistance in outside environments and requires low maintenance.

Item no. NAT505-0612

### Installation Information

Max. fall height	100 cm
Safety surfacing area	21.1 m <sup>2</sup>
Total installation time	10.5
Excavation volume	0.67 m <sup>3</sup>
Concrete volume	0.00 m <sup>3</sup>
Footing depth (standard)	63 cm
Shipment weight	242 kg
Anchoring options	In-ground ✓ Surface ✓

### Warranty Information

Hot dip galvanized steel	Lifetime
Pinewood	10 years
PUR components	10 years
Ropes & nets	10 years
Spare parts guaranteed	10 years



# Sustainability Data

NAT505



Cradle to Gate A1-A3	Total CO <sub>2</sub> emission	CO <sub>2</sub> e/kg	Recycled materials
	kg CO <sub>2</sub> e	kg CO <sub>2</sub> e/kg	%
<b>NAT505-0612</b>	240.60	1.28	40.07

The overall framework applied for these factors is the Environmental Product Declaration (EPD), which quantifies "environmental information on the life cycle of a product and enable comparisons between products fulfilling the same function" (ISO, 2006). This follows the structure and applies a Life-Cycle Assessment approach to the entire Product stage from raw material through manufacturing (A1-A3))

**Kompan A/S**  
 C.F. Tietgens Boulevard 32C  
 DK-5220 Odense SØ  
 Denmark



## Verification of CO<sub>2</sub> calculation of: Nature play



Data version no. 2023-10-05

The CO<sub>2</sub> calculation and data are in compliance with the principles of a carbon footprint impact according to the GHG protocol (Greenhouse Gas Protocol), Scope 3, cradle to gate related to all individual components in the product category: "Nature play" represented by item no.: NRO409-0621.

(Scope 3 emissions include emission sources in the upstream and downstream value chain).

**Date: 30. October 2023 | Valid until: 30. October 2025**

**Verified by:**

Julie Marie Vejsgaard Larsen, LCA & EPD Consultant

Verification based on report: Validation of CO<sub>2</sub> calculation of 9 categories of Kompan product line, version 1.0, prepared by: Bureau Veritas HSE, Denmark: Julie M. V. Larsen.

**Publication date: 30. October 2023**

**By Bureau Veritas HSE**  
 www.bureauveritas.dk  
 +45 7731 1000

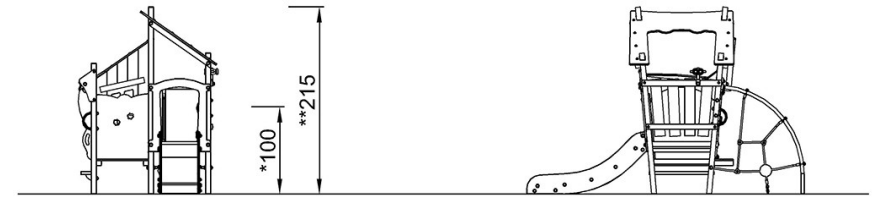
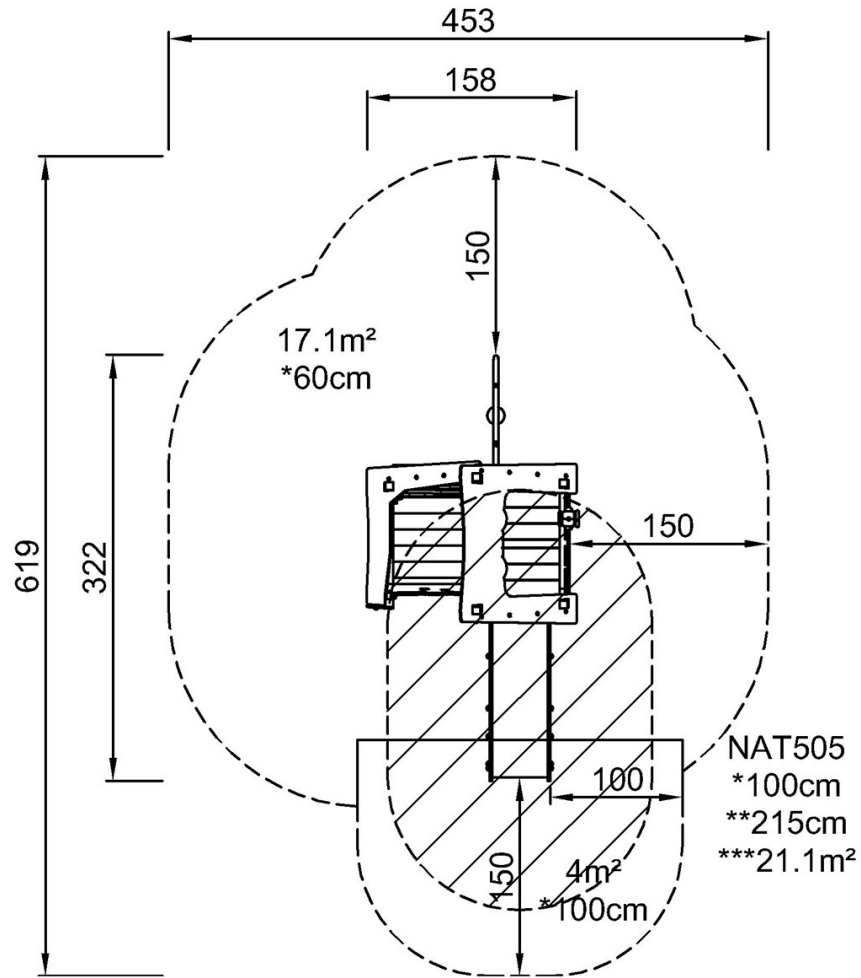


# Tree House

NAT505

\* Max fall height | \*\* Total height | \*\*\* Safety surfacing area

\* Max fall height | \*\* Total height



NAT505

[Click to see TOP VIEW](#)

[Click to see SIDE VIEW](#)