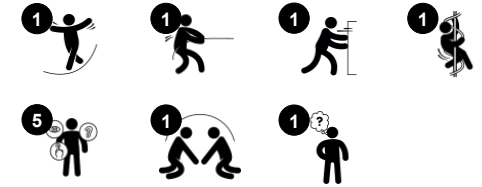


Boogie Spinner™

ELE400068



产品编号 ELE400068-3217RE	
产品信息概览	
长宽高尺寸	123x124x129 cm
适用年龄段	6+
容纳人数	4
颜色选择	



The whimsical shape and great fun of the Boogie Spinner attracts children again and again. The novel movements, a tilting effect in combination with rotation, evoke the children's sense of wonder and are stomach-tickling fun. Responsive to the children's movements, it spins when pushed and pulled, training arms and leg muscles. When holding tight to the

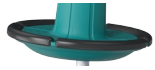
handle children train their core muscles and arm muscles. The rotating movement trains the sense of space and balance, which is fundamental for all other motor skills and motor control. The Boogie Spinner's roomy platform encourages social interaction with fun negotiation, turn-taking, and cooperation. The Boogie Spinner facilitates thrilling play and

social play.



Boogie Spinner™

ELE400068



Curved platform

身体素质：训练儿童的平衡感和空间感，在紧握或跳上跳下时，可以训练上下肢肌肉力量和骨密度。**社交情感：**水平的表面可以让更多的孩子玩耍和分享，训练合作和谈判技巧，培养自信心和同理心。



手撑

身体素质：可以握住手柄的更多部位，确保良好的握力，这对于剧烈摇摆是必不可少的，可以训练手部和手臂肌肉。



Tilting

身体素质：在旋转过程中，孩子们的协调能力和平衡能力得到增强。在推动、拉动或协调 Boogie Spinner 运动时，腿部、核心和手臂都能得到锻炼。跳上跳下时，骨密度得到加强。骨密度主要是在儿童时期建立起来的。**社交情感：**培养合作和轮流意识，以及同理心。**认知能力：**逻辑思维，思考如何进行旋转，加快或减慢旋转速度。

Boogie Spinner™

ELE400068



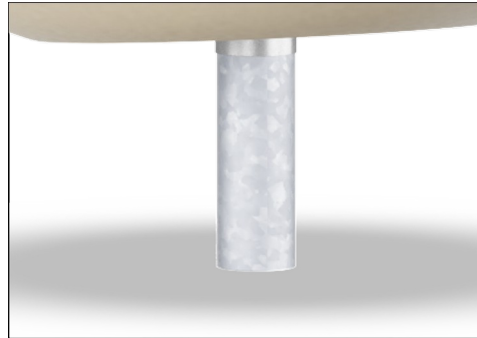
The Boogie Spinner is mounted with a double bearing meaning that it can move from side to side while spinning, creating an extra challenge. To ensure safety, the Spinner is equipped with a 360-degree metal handle on top, as well as a non-slip standing surface.



Kompan has designed the Boogie Spinner with a soft, shock absorbent 360-degree bumper with non-slip surface makes the Spinner safe and extremely user friendly.



The central part of the Boogie Spinner is made of recyclable polyethylene (PE) made from 33% post consumer materials and is rotomolded in one piece with integrated metal thread bushings and water drain holes to ensure high durability in all climates around the world.



钢表面在内部和外部均用无铅锌进行热浸镀锌。镀锌在外部环境中具有出色的耐腐蚀性，并且维护成本低。



高载荷的工程轴承系统，带单排深沟球轴承，橡胶密封。全封闭轴承结构提供终身润滑，免维护。



The Boogie Spinner will be available in five different Kompan colors which are Red, Green, Blue, Beige and Teal.

产品编号 ELE400068-3217RE

安装信息

最大跌落高度	100 cm
安全面积	25.0 m ²
安装总时长	2.8
开挖量	0.44 m ³
混凝土使用量	0.25 m ³
标准入地深度	90 cm
运输重量	226 kg
固定选项	入地 ✓ 地表 ✓

质保信息

中空 PE 聚乙烯部件	10 年
镀锌钢结构	终身质保
活动部件	2 年
承保零部件	10 年

**EN
1176**
compliant

Sustainability Data

ELE400068



从原材料到成品

CO₂ 排放总量

kg CO₂e

CO₂ 排放量 / 千克

kg CO₂e/kg

回收的原料

%

ELE400068-3217RE

253.36

2.65

42.84

这些因素采用的总体框架为环保产品声明 (EPD), 该声明可量化“产品生命周期的环保信息, 并对相同功能的产品进行对比” (ISO, 2006)。在遵循该框架的同时, 对从原材料到制造的整个产品阶段 (A1-A3) 应用生命周期评估法。

KOMPAN
Let's play

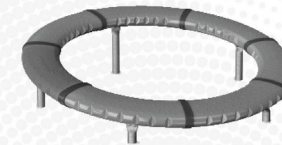
Kompan A/S

C.F. Tietgens Boulevard 32C
DK-5220 Odense SØ
Denmark

Validation of CO₂
calculation method
BUREAU VERITAS
HSE Denmark A/S



Verification of CO₂ calculation of: Freestanding play equipment



Data version no. 2023-10-05

The CO₂ calculation and data are in compliance with the principles of a carbon footprint impact according to the GHG protocol (Greenhouse Gas Protocol), Scope 3, cradle to gate related to all individual components in the product category: "Freestanding play equipment" represented by item no.: GXY916012-3417.

(Scope 3 emissions include emission sources in the upstream and downstream value chain).

Date: 30. October 2023 | Valid until: 30. October 2025

Verified by:

Julie Marie Vejsgaard Larsen, LCA & EPD Consultant

Verification based on report: Validation of CO₂ calculation of 9 categories of Kompan product line, version 1.0, prepared by: Bureau Veritas HSE, Denmark: Julie M. V. Larsen.

Publication date: 30. October 2023

By Bureau Veritas HSE
www.bureauveritas.dk
+45 7731 1000

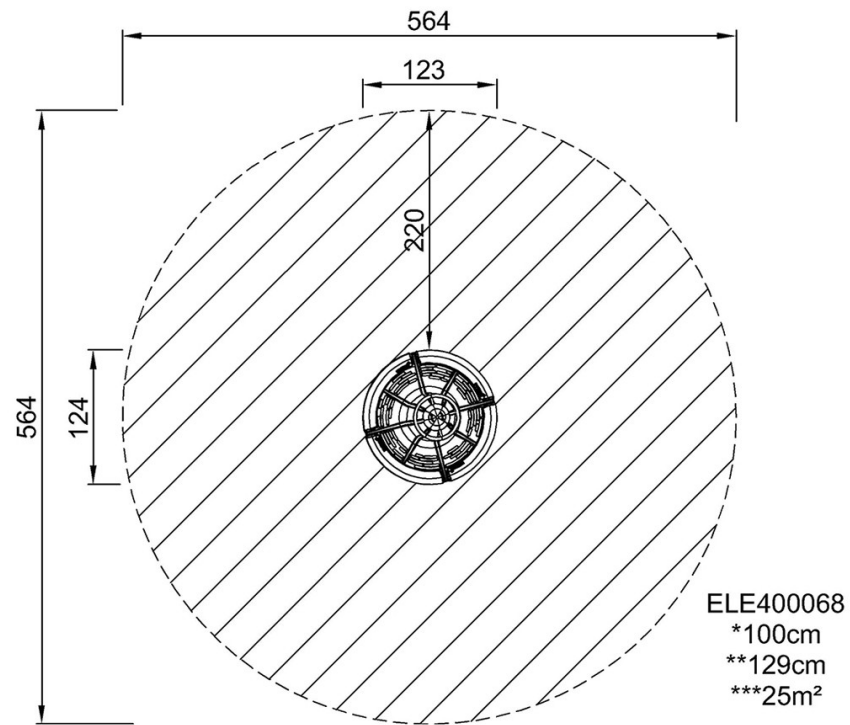


Boogie Spinner™

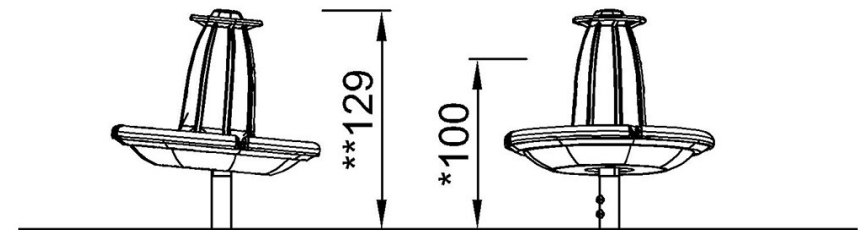
ELE400068

最大跌落高度 | 总高度 | 安全区域

最大跌落高度 | 总高度



[点击查看俯视图](#)



ELE400068

[点击查看侧面图](#)