

Steel Swing H:3.0m, Anti-wrap

KSW92006

KOMPANI
Let's play



Item no. KSW92006-0910	
General Product Information	
Dimensions LxWxH	360x207x305 cm
Age group	3+
Play capacity (users)	2
Colour options	●



Of all the play activities, swinging high is a firm favourite: children love it, as it is extremely thrilling and can be done individually or together with friends. This swing set supports the joy of doing the same thing at the same time, featuring two similar swing seats. The seats are shaped with a slight curve in the middle to facilitate the secure seat position of a

wide age span. The Anti-Wrap system makes the play go on and on, as the seat will never be wrapped around the upper beam. Swinging apart from being great fun, trains the children's ABC: agility, balance, and coordination as well as their spatial awareness. These motor skills are crucial to being able to judge distances in traffic safely. Swings allow for standing sitting,

laying, and not least, jumping off. Apart from the motor skills training, this trains the arm, leg, and core muscles. The jumping off builds bone density; the majority of which is built up during the first years of life.



Data is subject to change without prior notice.

Steel Swing H:3.0m, Anti-wrap

KSW92006



Two single swing seats

Physical: balance, coordination and spatial awareness are trained when swinging. All necessary when judging distances and managing traffic safely. **Social-Emotional:** parallel play invites cooperation and consideration. **Cognitive:** 'Cause and effect' understanding, managing rhythm and thinking skills for younger children when swinging. Rules games for bigger children.



Steel Swing H:3.0m, Anti-wrap

KSW92006



Vertical posts, swing frames end connectors and crossbeams can either be hot-dip galvanised steel or powder-coated on a pre-galvanised steel base. S



KOMPAN's swing hangers are heavy-duty and designed with stainless steel and anti-twist functions. The hangers attach to the cross beam on a welded bracket with two bolts. The bearings are embedded with silicone lubricant and need no further lubrication; ensuring low maintenance.



KOMPAN's bird's nest seats have been designed to be light in weight and compliant with global safety standards. The soft, shock-absorbent bumpers has a non-slip surface, making the swing seat extremely user friendly. You can choose between a rope version with reinforced PA rope or a moulded PE version.



The standard seats of KOMPAN swings are engineered for maximum safety and durability. The seat two component seat with a PP inner core and outside rubber is produced in one operation. The seats are available with swing chains of either hot-dip galvanised steel or stainless steel for all swings heights.



The swing hangers are made of high-quality UV-stabilised nylon (PA6) housing with integrated lifetime sealed ball bearings. The adjustable chains are fixed by a stainless steel hook with a theft-proof snake-eye bolt which is manufactured within an anti-twist house. All seats are fixed with two chains and are available with either standard or anti-wrap suspension.



KOMPAN has a range of uniquely designed seats for toddlers which includes; A rubber baby seat, a toddler PUR seat with four chain suspension for easy movement and cradle seat. Additional you can select the You & Me swing seat which is suitable for adult and child which allows two users to swing together while facing each other.

Item no. KSW92006-0910

Installation Information

Max. fall height	167 cm
Safety surfacing area	26.5 m ²
Total installation time	5.1
Excavation volume	1.12 m ³
Concrete volume	0.00 m ³
Footing depth (standard)	90 cm
Shipment weight	226 kg
Anchoring options	In-ground ✓

Warranty Information

Chains	10 years
Spare Parts Guarantee	10 years
Steel post HDG	Lifetime
Swing Hangers	5 years
Swing Seat	10 years



Sustainability Data

KSW92006



Cradle to Gate A1-A3	Total CO ₂ emission	CO ₂ e/kg	Recycled materials
	kg CO ₂ e	kg CO ₂ e/kg	%
KSW92006-0910	550.07	3.41	44.33

The overall framework applied for these factors is the Environmental Product Declaration (EPD), which quantifies "environmental information on the life cycle of a product and enable comparisons between products fulfilling the same function" (ISO, 2006). This follows the structure and applies a Life-Cycle Assessment approach to the entire Product stage from raw material through manufacturing (A1-A3))

Kompan A/S
C.F. Tietgens Boulevard 32C
DK-5220 Odense SØ
Denmark



Verification of CO₂ calculation of: Freestanding play equipment



Data version no. 2023-10-05

The CO₂ calculation and data are in compliance with the principles of a carbon footprint impact according to the GHG protocol (Greenhouse Gas Protocol), Scope 3, cradle to gate related to all individual components in the product category: "Freestanding play equipment" represented by item no.: KSW92011-0910.

(Scope 3 emissions include emission sources in the upstream and downstream value chain).

Date: 30. October 2023 | Valid until: 30. October 2025

Verified by:

Julie Marie Vejsgaard Larsen, LCA & EPD Consultant

Verification based on report: Validation of CO₂ calculation of 9 categories of Kompan product line, version 1.0, prepared by: Bureau Veritas HSE, Denmark: Julie M. V. Larsen.

Publication date: 30. October 2023

By Bureau Veritas HSE
www.bureauveritas.dk
+45 7731 1000

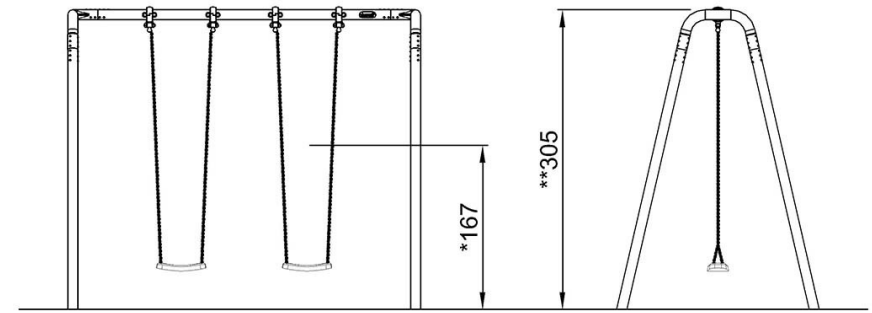
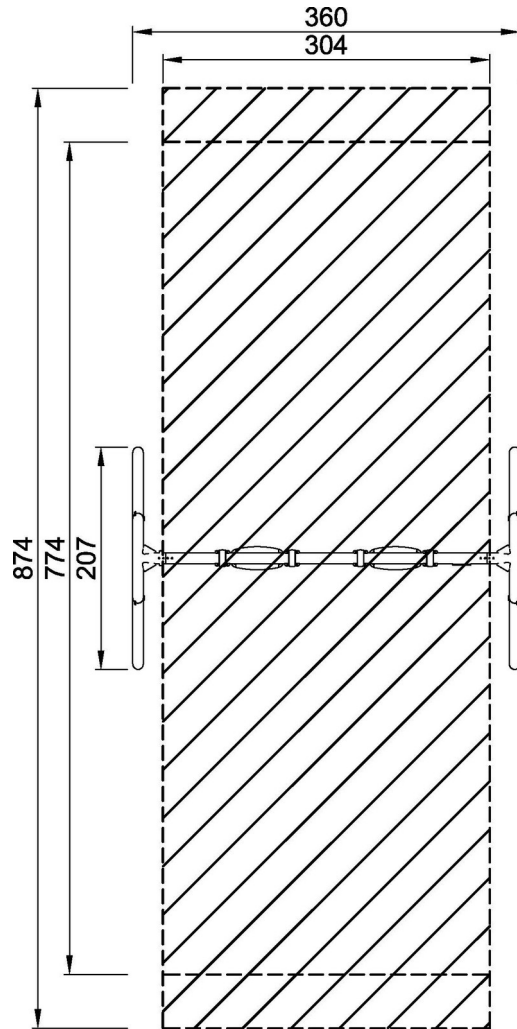


Steel Swing H:3.0m, Anti-wrap

KSW92006

* Max fall height | ** Total height | *** Safety surfacing area

* Max fall height | ** Total height



KSW92006

KSW92006
*167cm
**305cm
***26.5m²

[Click to see TOP VIEW](#)

[Click to see SIDE VIEW](#)