

Forest Lake Boat without Floor


NRO520

KOMPAN
Let's play



This little boat is a wonderful role play setting for hours of imaginative play for all abilities. The boat theme encourages hours of play, uniting children around a hugely popular theme and sailing off into unknown lands. The natural Robinia timber provides an organic structure, that can either blend into or stand out from your surrounds. Children can touch and feel the

timber while acting out their imaginations and social play, observing how nature inspiration interacts with the built environment. There is a rotating steering wheel and binoculars to watch out for pirates. The low entry point encourages inclusive play and there is plenty of room to meet friends and sail the high seas!

Item no. NRO520-1021	
General Product Information	
Dimensions LxWxH	145x333x250 cm
Age group	2+
Play capacity (users)	8
Colour options	



Forest Lake Boat without Floor

NRO520



Binoculars

Cognitive: the binoculars promote dramatic play, a great trainer of language and communication skills. **Creative:** the binoculars can be moved around. Looking through them gives a new perspective on the world.



Open space in front

Social-Emotional: the bench along the keel is a great space for meeting and exchanging.



Steering wheel

Cognitive: the steering wheel invites dramatic play which supports language and communication skills.



Bench

Social-Emotional: the bench is big enough for two and makes a nice meeting point. Sitting closely together with friends is good for children's social skills and well-being.



Theme

Cognitive: suggests a theme and supports dramatic play, which stimulates language and communication skills.

Forest Lake Boat without Floor

NRO520



All organic Robinia products by KOMPAN are made of Robinia wood which is sourced from sustainable plantation farms. On request it can be supplied as FSC® Certified (FSC® C004450).



The paint used for coloured components is water based, which is environmentally friendly and has excellent UV resistance. The paint complies with Australian Standards.



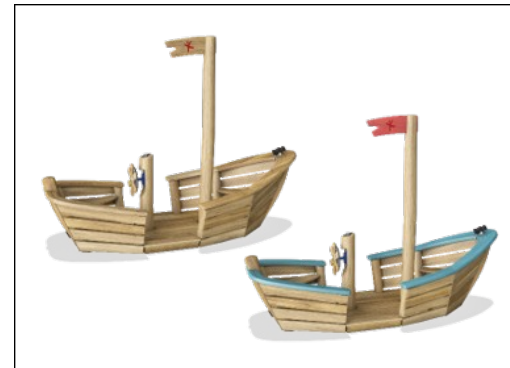
The Robinia products come in a number of standard colour options. The wood can also be supplied as untreated or with brown painted with a pigment that maintains the wood colour.



The forest lake boat is available with a deck of Robinia wood or without a deck. The version without a deck is tailored to be installed on a rubber surface where the colour and theme of the surfacing is visible inside the boat.



The product/activities are preassembled from the factory to ensure all safety requirements are considered.



The Robinia wood can be supplied as untreated raw wood, painted with a brown coloured transparent pigment that maintains the golden wood colour or in a coloured version where selected components are painted in different colours.

Item no. NRO520-1021

Installation Information

Max. fall height	100 cm
Safety surfacing area	23.0 m ²
Total installation time	8.7
Excavation volume	0.86 m ³
Concrete volume	0.00 m ³
Footing depth (standard)	100 cm
Shipment weight	615 kg
Anchoring options	In-ground ✓

Warranty Information

Robinia Wood	15 years
Ropes & Nets	10 years
Spare Parts Guarantee	10 years
Stainless Steel Components	Lifetime
Stainless Steel Components	Lifetime



Sustainability Data

NRO520



Cradle to Gate A1-A3	Total CO ₂ emission	CO ₂ e/kg	Recycled materials
	kg CO ₂ e	kg CO ₂ e/kg	%
NRO520-1021	91.22	0.16	0.84

The overall framework applied for these factors is the Environmental Product Declaration (EPD), which quantifies "environmental information on the life cycle of a product and enable comparisons between products fulfilling the same function" (ISO, 2006). This follows the structure and applies a Life-Cycle Assessment approach to the entire Product stage from raw material through manufacturing (A1-A3))

Kompan A/S
 C.F. Tietgens Boulevard 32C
 DK-5220 Odense SØ
 Denmark



Verification of CO₂ calculation of: Nature play



Data version no. 2023-10-05

The CO₂ calculation and data are in compliance with the principles of a carbon footprint impact according to the GHG protocol (Greenhouse Gas Protocol), Scope 3, cradle to gate related to all individual components in the product category: "Nature play" represented by item no.: NRO409-0621.

(Scope 3 emissions include emission sources in the upstream and downstream value chain).

Date: 30. October 2023 | Valid until: 30. October 2025

Verified by:

Julie Marie Vejsgaard Larsen, LCA & EPD Consultant

Verification based on report: Validation of CO₂ calculation of 9 categories of Kompan product line, version 1.0, prepared by: Bureau Veritas HSE, Denmark: Julie M. V. Larsen.

Publication date: 30. October 2023

By Bureau Veritas HSE
 www.bureauveritas.dk
 +45 7731 1000

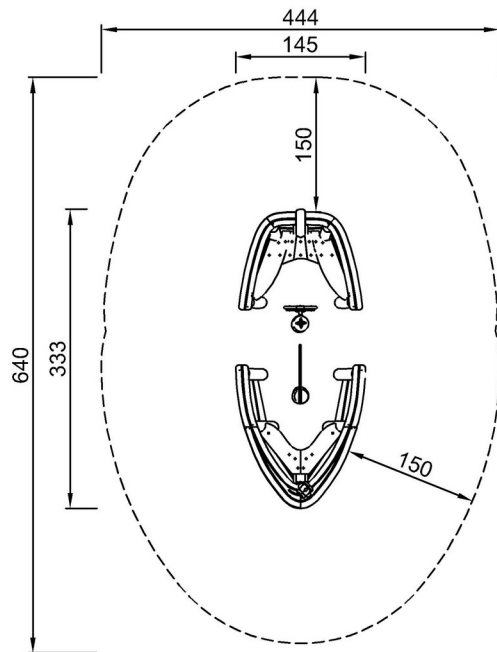


Forest Lake Boat without Floor

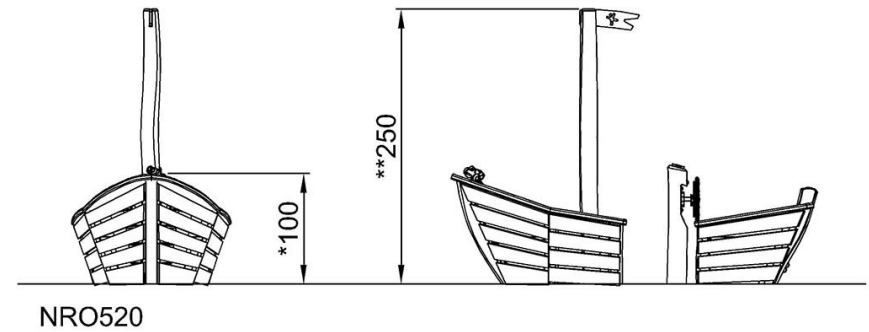
NRO520

* Max fall height | ** Total height | *** Safety surfacing area

* Max fall height | ** Total height



NRO520
*100cm
**250cm
***23m²



[Click to see TOP VIEW](#)

[Click to see SIDE VIEW](#)