

Tractor

NRO565

KOMPAN
Let's play



Item no. NRO565-0621

General Product Information

Dimensions LxWxH	168x448x179 cm
Age group	2+
Play capacity (users)	7
Colour options	  



The Tractor will attract younger children with its recognizable theme again and again. The theme spurs dramatic play in both younger and older children. Dramatic play is supported by the manipulative play elements: gear shift, steering wheel, and funnel. Dramatic play builds communication, language, and social skills. Children learn how to express

themselves and how to be understood by friends and surroundings. The crawl-through tunnel invites activity and stimulates motor skills such as cross-coordination. Cross-coordination enhances children's ability to use both sides of the brain, supporting the internal structures enabling reading and thinking. The children also train cross-coordination when

climbing to the thrilling reward: a thrilling ride down the slide. Sliding stimulates balance, which is fundamental for mastering any physical activity. When deciding who to go next, children develop empathy and turn-taking skills. The tractor is a great facilitator for social, dramatic, and physical play.

Tractor

NRO565



Slide

Physical: sliding develops spatial awareness and a sense of balance. Furthermore, the core muscles are trained when sitting upright going down. **Social-Emotional:** empathy stimulated by turn-taking. **Cognitive:** young children develop their understanding of space, speed and distances when sliding down quickly.



Switch

Cognitive: an understanding of cause and effect is developed when pushing something that moves. The theme of light switch supports dramatic play, which is known to stimulate language skills.



Tunnel

Physical: the children crawl through the tunnel, developing motor skills such as cross-body coordination and proprioception. **Social-Emotional:** turn-taking when passing each other.



Funnel

Social-Emotional: trains cooperation and turn-taking as children put materials into the funnel. **Cognitive:** the passing of materials through funnels supports the children's logical thinking and for younger children the understanding of object permanence: that materials don't vanish but run through at the other end.



Supportive handholds

Physical: handhold provides good grip for less confident climbers. Pulling yourself up and in trains upper body muscles.



Gear shift

Social-Emotional: cooperation, turn-taking, sharing. **Cognitive:** suggests a theme and supports dramatic play, which stimulates language skills.



Turning wheel

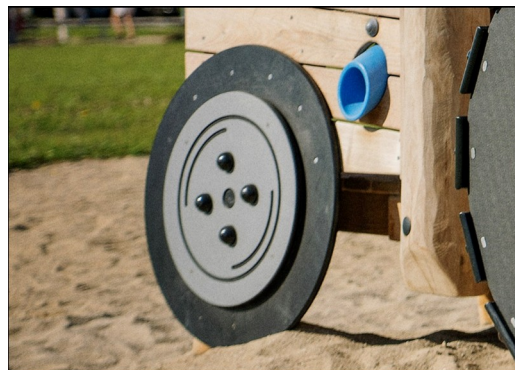
Social-Emotional: develops turn-taking, communication and cooperation. **Cognitive:** the manipulative item stimulates cause and effect understanding, logical thinking and communication. **Creative:** working with moveable play items that can leave a mark supports the child's creativity.

Tractor

NRO565



All Organic Robinia products by KOMPAN are made of Robinia wood from sustainable European sources. On request it can be supplied as FSC® Certified (FSC® C004450).



Panels of 19mm EcoCore™. EcoCore™ is a highly durable, eco friendly material, which is not only recyclable after use, but also consists of material produced from +95% recycled post consumer material from food packing waste.



The slides can be chosen in six different colors and two materials: Molded PE slides made with 33% post consumer materials or full stainless steel in one-piece design for more vandalism proof solutions.

Item no. NRO565-0621	
Installation Information	
Max. fall height	100 cm
Safety surfacing area	27.2 m ²
Total installation time	16.3
Excavation volume	0.59 m ³
Concrete volume	0.15 m ³
Footing depth (standard)	60 cm
Shipment weight	860 kg
Anchoring options	In-ground ✓ Surface ✓
Warranty Information	
Corocord rope	10 years
EcoCore HDPE	Lifetime
Hollow PE parts	10 years
Hot dip galvanised steel	Lifetime
Spare parts guaranteed	10 years



The Robinia wood can be supplied as untreated raw wood or painted with a brown coloured transparent pigment that maintains the golden wood colour of the wood.



Transparent brown pigmented and colored parts, are coated with water-based paint and pigment that is environmentally friendly and with excellent UV resistance. The paint and pigment is in compliance with EN 71 Part 3.



The tunnel is made of fully recyclable low-density PE that contains 33% post consumer materials. PE has excellent impact strength and is usable within a large temperature span.

**EN
1176**
compliant

Sustainability Data

NRO565



Cradle to Gate A1-A3	Total CO ₂ emission	CO ₂ e/kg	Recycled materials
	kg CO ₂ e	kg CO ₂ e/kg	%
NRO565-0621	289.88	0.42	15.47

The overall framework applied for these factors is the Environmental Product Declaration (EPD), which quantifies "environmental information on the life cycle of a product and enable comparisons between products fulfilling the same function" (ISO, 2006). This follows the structure and applies a Life-Cycle Assessment approach to the entire Product stage from raw material through manufacturing (A1-A3))

Kompan A/S
 C.F. Tietgens Boulevard 32C
 DK-5220 Odense SØ
 Denmark



Verification of CO₂ calculation of: Nature play



Data version no. 2023-10-05

The CO₂ calculation and data are in compliance with the principles of a carbon footprint impact according to the GHG protocol (Greenhouse Gas Protocol), Scope 3, cradle to gate related to all individual components in the product category: "Nature play" represented by item no.: NRO409-0621.

(Scope 3 emissions include emission sources in the upstream and downstream value chain).

Date: 30. October 2023 | Valid until: 30. October 2025

Verified by:

Julie Marie Vejsgaard Larsen, LCA & EPD Consultant

Verification based on report: Validation of CO₂ calculation of 9 categories of Kompan product line, version 1.0, prepared by: Bureau Veritas HSE, Denmark: Julie M. V. Larsen.

Publication date: 30. October 2023

By Bureau Veritas HSE
 www.bureauveritas.dk
 +45 7731 1000

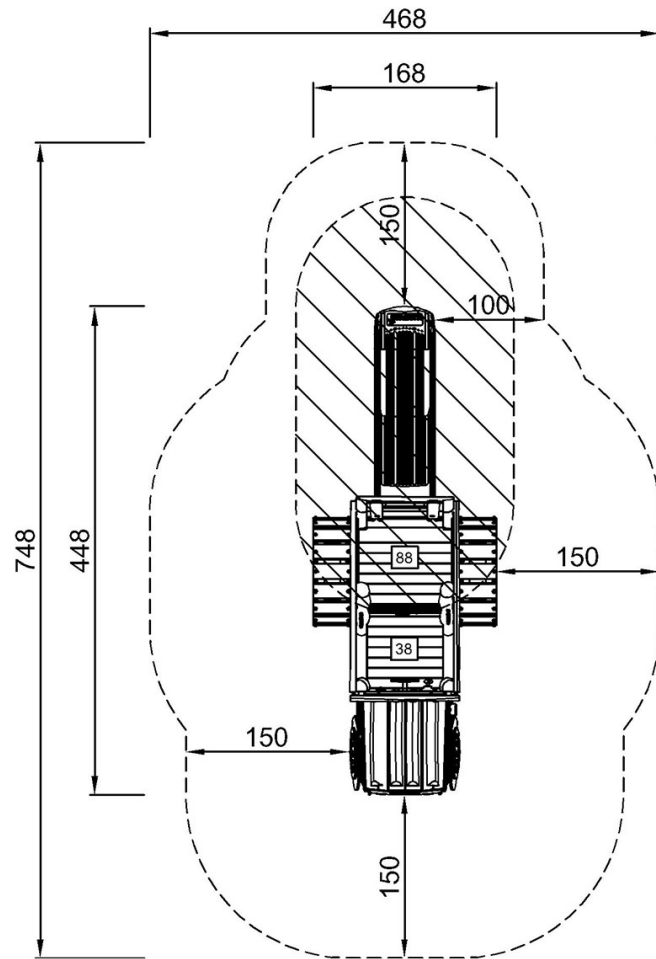


Tractor

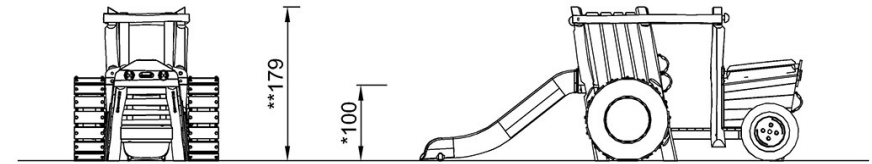
NRO565

* Max fall height | ** Total height | *** Safety surfacing area

* Max fall height | ** Total height



NRO565
*100cm
**179cm
***27.2m²



NRO565

[Click to see TOP VIEW](#)

[Click to see SIDE VIEW](#)