

Over Under Robinia

FRO214

Item no. FRO21400-1001

General Product Information

Dimensions LxWxH	5'2"x18'10"x4'10"
Age group	13+
Play capacity (users)	4
Color options	



See KOMPAN Fit App for More Information



Trained athletes will go over the high bar and underneath the low bar, while the beginners will do it the other way around. A great way to train, strength, agility, coordination, and flexibility. The Over-Under obstacle is a great example that everyone can be challenged at their own level. The bars are positioned close to another therefore a combination of the lower body and

upper body strength is required to overcome this obstacle.

The Robinia bars are made from de-barked and sap-free Robinia trunks in various dimensions. Robinia is a native European wood species with high strength and natural durability in various climatic conditions. KOMPAN uses wood from FSC-certified

sources.

Over Under Robinia

FRO214



All Organic Robinia products by KOMPAN are made of Robinia wood from sustainable European sources. On request it can be supplied as FSC® Certified (FSC® C004450).



The Robinia wood can be supplied as untreated raw wood or painted with a brown colored transparent pigment that maintains the golden wood color of the wood.



The FSW 209 features three 38 x 2mm push up bars at three heights of respectively 38cm, 58cm and 133cm.

Item no. FRO21400-1001	
Installation Information	
Max. fall height	3'10"
Safety surfacing area	302ft ²
Total installation time	5.7
Excavation volume	1.32yd ³
Concrete volume	0.39yd ³
Footing depth (standard)	3'3"
Shipment weight	675lbs
Anchoring options	In-ground ✓ Surface ✓
Warranty Information	
Hot dip galvanized steel	Lifetime
Robinia Wood	10 Years
Spare Parts Availability	10 Years



All KOMPAN fitness products are compliant with the ASTM F3101 & EN16630 Outdoor Fitness Standards. Load tests are performed as a static test by adding dynamic factors as well as safety factors to the specified load of 78kg per user. A product intended for 1 user is loaded with 420kg.

**ASTM
F3101**
compliant

Sustainability Data

FRO214



Cradle to Gate A1-A3	Total CO ₂ emission	CO ₂ e/kg	Recycled materials
	kg CO ₂ e	kg CO ₂ e/kg	%
FRO21400-1001	79.72	0.33	4.21

The overall framework applied for these factors is the Environmental Product Declaration (EPD), which quantifies "environmental information on the life cycle of a product and enable comparisons between products fulfilling the same function" (ISO, 2006). This follows the structure and applies a Life-Cycle Assessment approach to the entire Product stage from raw material through manufacturing (A1-A3))

Kompan A/S
C.F. Tietgens Boulevard 32C
DK-5220 Odense SØ
Denmark



Verification of CO₂ calculation of: Fitness



Data version no. 2023-10-05

The CO₂ calculation and data are in compliance with the principles of a carbon footprint impact according to the GHG protocol (Greenhouse Gas Protocol), Scope 3, cradle to gate related to all individual components in the product category: "Fitness" represented by item no.: FAZ10100-0900.

(Scope 3 emissions include emission sources in the upstream and downstream value chain).

Date: 30. October 2023 | Valid until: 30. October 2025

Verified by:



Julie Marie Vejsgaard Larsen, LCA & EPD Consultant

Verification based on report: Validation of CO₂ calculation of 9 categories of Kompan product line, version 1.0, prepared by: Bureau Veritas HSE, Denmark: Julie M. V. Larsen.

Publication date: 30. October 2023

By Bureau Veritas HSE
www.bureauveritas.dk
+45 7731 1000

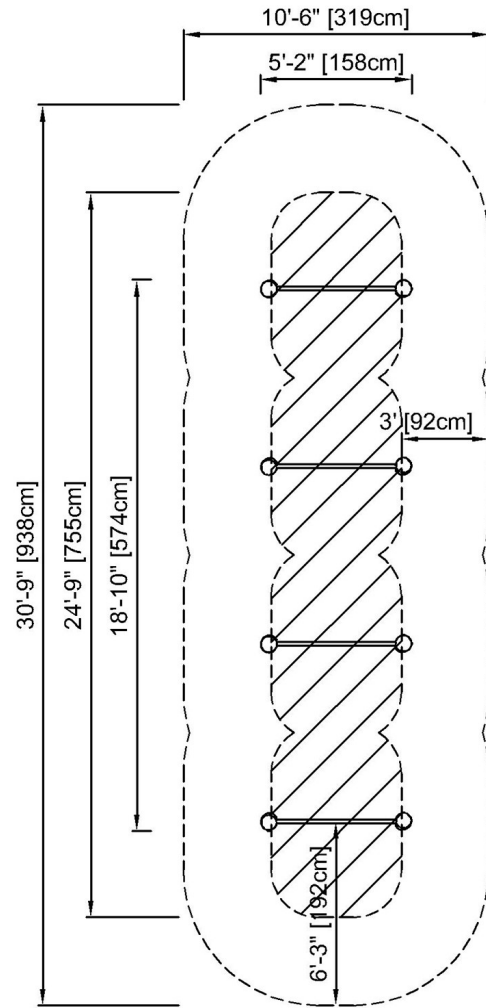


Over Under Robinia

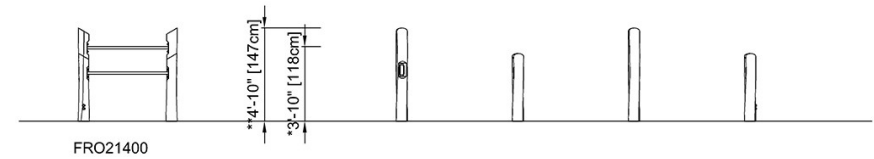
FRO214

* Max fall height | ** Total height | *** Safety surfacing area

* Max fall height | ** Total height



FRO21400
* 3'-10" / 118cm
** 4'-10" / 147cm
***302ft² / 28.1m²



[Click to see TOP VIEW](#)

[Click to see SIDE VIEW](#)