

Tower with Fireman's Pole

NRO1005

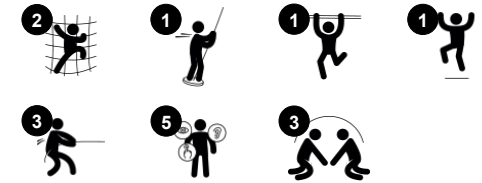
KOMPAN
Let's play



产品编号 NRO1005-1001

产品信息概览

长宽高尺寸	223x169x359 cm
适用年龄段	4+
容纳人数	6
颜色选择	 



The Tower with Fireman's Pole appeals immensely to children. With its climb and glide variation, children will try it out again, training cardio and muscles as they loop the Fireman's Pole and the varied access points. The inclined net access is a fun challenge to climb, and it trains the child's proprioception: the awareness of where the body parts are in space and how

much force and distance it takes to move securely. The sturdy stair-step is an even more challenging with its chunky-grip, vertical steps. The platform offers a nice view. The fireman's pole is dare devils favourite whilst also training the children's muscles, their spatial awareness and last but not least their bone density. This is built up for life mainly in childhood, through

weight bearing activities such as jumping and running.



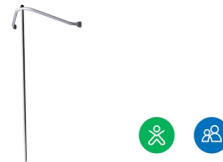
Tower with Fireman's Pole

NRO1005



攀爬网

身体素质：孩子们在倾斜的攀爬网上向上攀爬，有助于培养身体的交叉协调能力，从而影响左右脑协调，这对其他技能（如阅读能力）至关重要。绳网的不对称也锻炼儿童的攀爬能力。



Fireman's pole

身体素质：当下降时，协调得到支持，同时也锻炼了手臂和核心肌肉。着地时会增强骨密度，这对于儿童早期生活中的骨骼建设至关重要。
社交情感：训练轮流意识和风险意识。



Ladder with rope

身体素质：cross coordination and eye-hand coordination are supported when children climb the ladder. Leg and core muscles are used intensely. Upper body muscles are developed when children pull themselves upwards in the rope. **社交情感：**培养轮流意识和合作意识。

Tower with Fireman's Pole

NRO1005



KOMPAN 的所有有机刺槐产品均由 刺槐木材制成，来自欧洲的可持续环保木材。可根据要求提供 FSC® Certified (FSC® C004450)

绳索由防紫外线的 PES 绳股制成，并带有内部钢缆增强件。聚酯包裹的绳股经过感应处理，融化到每根单独的丝束上，以获得优异的耐磨性和抗撕裂性。

不锈钢游戏活动部件由优质不锈钢制成。在制造后使用酸洗工艺对钢进行清洁，以确保光滑和清洁的顺滑表面。

产品编号 NRO1005-1001

安装信息

最大跌落高度	150 cm
安全面积	18.7 m ²
安装总时长	7.8
开挖量	0.94 m ³
混凝土使用量	0.23 m ³
标准入地深度	100 cm
运输重量	348 kg
固定选项	入地 ✓ 地表 ✓

质保信息

Robinia 木材	15 年
绳网	10 年
承保零部件	10 年
不锈钢零件	终身质保
不锈钢零件	终身质保



刺槐木可以作为未经处理的原木供应，或涂有保持金黄色木色的棕色透明颜料，也可以是彩色版本，其中选定的成分以不同的颜色涂漆。



Sustainability Data

NRO1005



从原材料到成品

CO₂ 排放总量

kg CO₂e

CO₂ 排放量 / 千克

kg CO₂e/kg

回收的原料

%

NRO1005-1001

132.84

0.47

4.60

这些因素采用的总体框架为环保产品声明 (EPD), 该声明可量化“产品生命周期的环保信息, 并对相同功能的产品进行对比”(ISO, 2006)。在遵循该框架的同时, 对从原材料到制造的整个产品阶段 (A1-A3) 应用生命周期评估法。

Kompan A/S

C.F. Tietgens Boulevard 32C
DK-5220 Odense SØ
Denmark



Verification of CO₂ calculation of: Nature play



Data version no. 2023-10-05

The CO₂ calculation and data are in compliance with the principles of a carbon footprint impact according to the GHG protocol (Greenhouse Gas Protocol), Scope 3, cradle to gate related to all individual components in the product category: "Nature play" represented by item no.: NRO409-0621.

(Scope 3 emissions include emission sources in the upstream and downstream value chain).

Date: 30. October 2023 | Valid until: 30. October 2025

Verified by:

Julie Marie Vejsgaard Larsen, LCA & EPD Consultant

Verification based on report: Validation of CO₂ calculation of 9 categories of Kompan product line, version 1.0, prepared by: Bureau Veritas HSE, Denmark: Julie M. V. Larsen.

Publication date: 30. October 2023

By Bureau Veritas HSE

www.bureauveritas.dk

+45 7731 1000

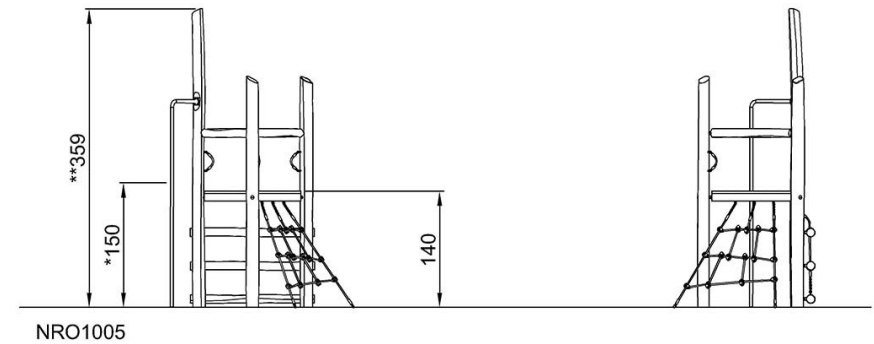
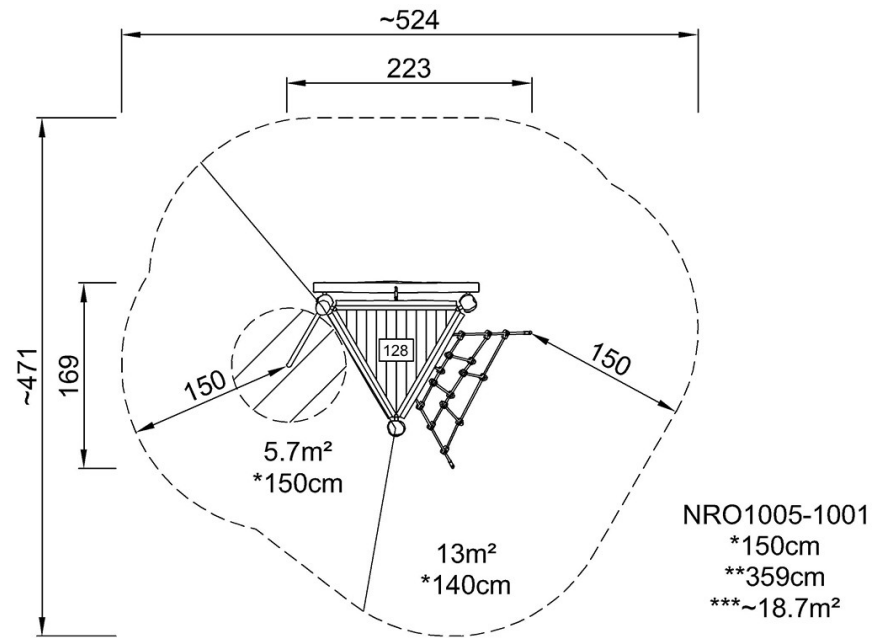


Tower with Fireman's Pole

NRO1005

最大跌落高度 | 总高度 | 安全区域

最大跌落高度 | 总高度



[点击查看俯视图](#)

[点击查看侧面图](#)