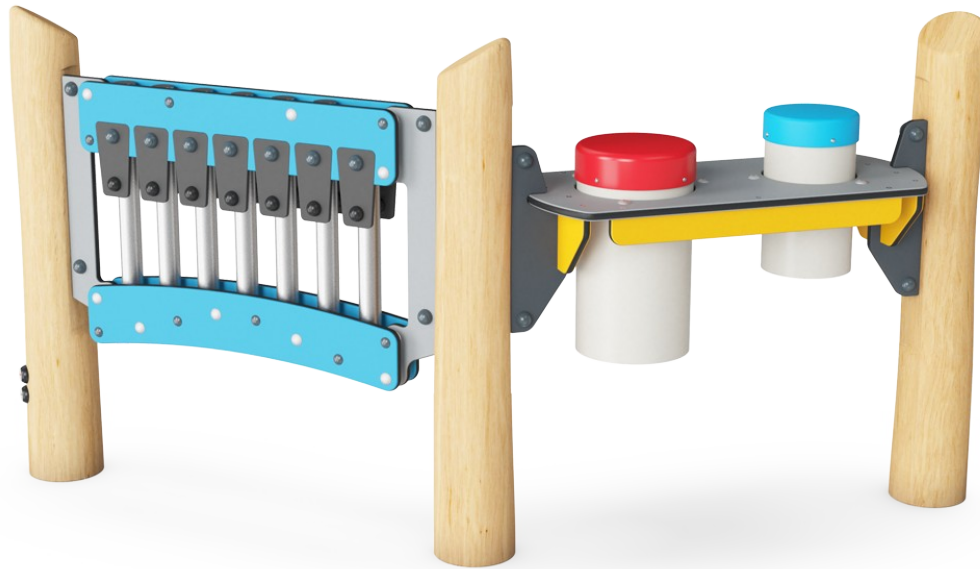


# Play Panel High 2, Music

NRO619

**KOMPAN**  
Let's play



Item no. NRO619-1001

## General Product Information

Dimensions LxWxH	6'10"x3'2"x3'9"
Age group	2 - 12
Play capacity (users)	6
Color options	



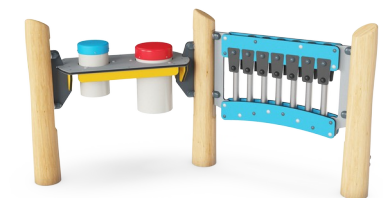
The Music Play Panel 2 attracts children immensely with its colorful combinations of rhythm, sounds, and tones. They will come back again and again to participate in creative play on their own or with friends and teachers. The music pipes offer sensory variations with a tonal sound outcome. Children train hand-eye coordination, which is crucial to controlling

movement and, e.g., handwriting.

The black rubber flaps can be plucked or pipes beaten and tunes created. This trains logical and creative thinking and invites cooperation and social play. The Percussion Panel is an immense play invitation for children: The drums can be played alone or together. There is room

for many users to congregate around them.

This encourages social interaction and co-creation when drumming rhythms and singing along. It also stimulates cognition and creativity as children create rules and rhythms together or individually. The play panel is high to make it more inclusive of older children.



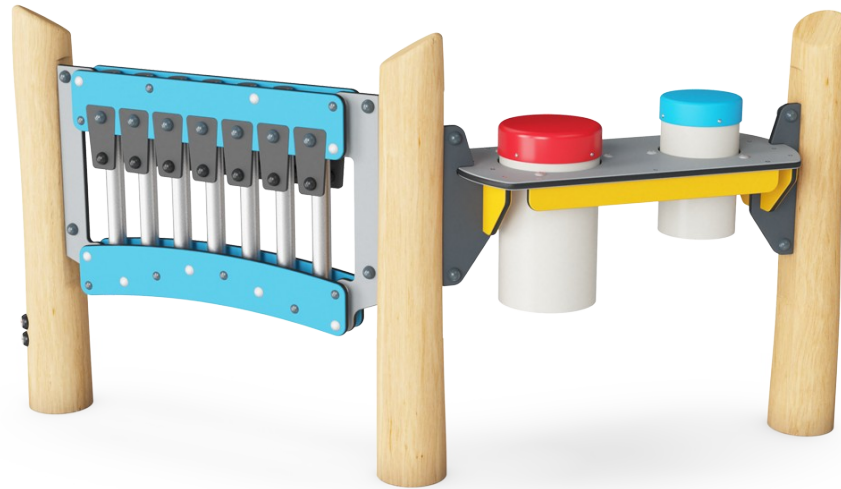
# Play Panel High 2, Music

NRO619



## Drums

**Social-Emotional:** cooperation and co-creation, parallel and group play. **Cognitive:** cause and effect understanding when creating sounds, supporting a sense of rhythm that is essential for pre-reading skills. **Creative:** creating and leaving a mark with sound.



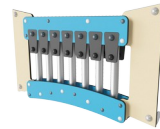
## Music tubes

**Social-Emotional:** invite social interaction and co-creation for more children, on both sides. **Cognitive:** understanding of cause and effect when striking tubes. **Creative:** the creation of different intensity and tonality stimulates creative skills.



## Two sides

**Social-Emotional:** invites cooperation and communication. The low height and the transparency of the panel makes interaction possible between the two sides.



## Tonality

**Cognitive:** creative thinking when combining tones into tunes. **Creative:** composing new tonal combinations stimulates creativity.



## Rubber flaps

**Social-Emotional:** the two rows of flaps invite cooperation and co-creation. **Cognitive:** cause and effect understanding when discovering sound from flaps hitting tubes.

# Play Panel High 2, Music

NRO619



All Organic Robinia products by KOMPAN are made of Robinia wood from sustainable European sources. On request it can be supplied as FSC® Certified (FSC® C004450).



The Robinia wood can be supplied as untreated raw wood or painted with a brown colored transparent pigment that maintains the golden wood color of the wood.



There are Multiple footing options for all products: Surface anchoring with steel footings and expansion bolts. Wood in-ground or steel in-ground footings.



The Xylophone music panel consist of HDPE material in 19mm EcoCore™ made with +95% recycled post-consumer material from e.g., food packing waste in both core and colorful outer layer. The pipes are made of die cast aluminum specifically alloyed for outdoor environments. The percussion panel consist of 2 Conga Drums with PP tubes and top in colored ABS.

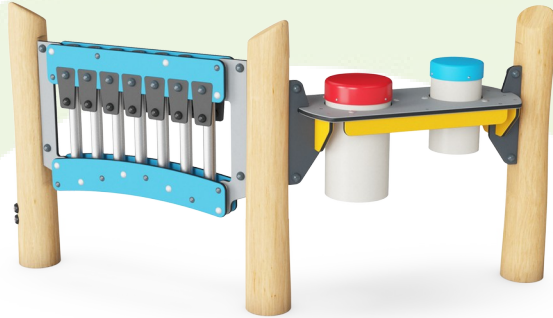
Item no. NRO619-1001	
Installation Information	
Max. fall height	0'0"
Safety surfacing area	0ft <sup>2</sup>
Total installation time	4.4
Excavation volume	0.5yd <sup>3</sup>
Concrete volume	0yd <sup>3</sup>
Footing depth (standard)	3'3"
Shipment weight	335lbs
Anchoring options	In-ground ✓
Warranty Information	
EcoCore HDPE	Lifetime
Movable parts	2 Years
Robinia Wood	10 Years
Spare Parts Availability	10 Years

Elevated activities	Accessible elevated activities	Accessible ground level activities	Accessible ground level play types
Present			
Required			

**ASTM  
F1487**  
compliant

# Sustainability Data

NRO619



<b>Cradle to Gate A1-A3</b>	<b>Total CO<sub>2</sub> emission</b>	<b>CO<sub>2</sub>e/kg</b>	<b>Recycled materials</b>
	kg CO <sub>2</sub> e	kg CO <sub>2</sub> e/kg	%
<b>NRO619-1001</b>	89.14	0.75	16.39

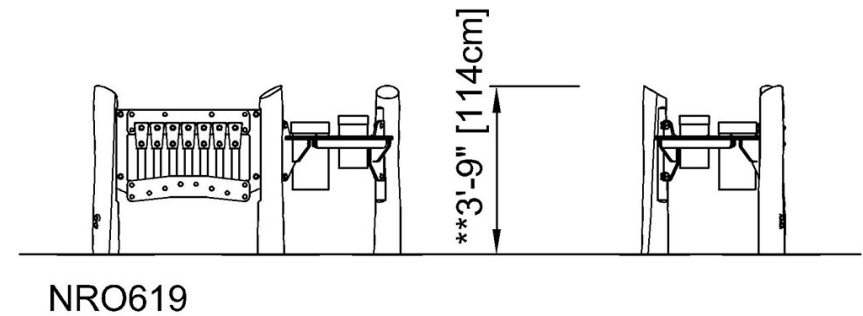
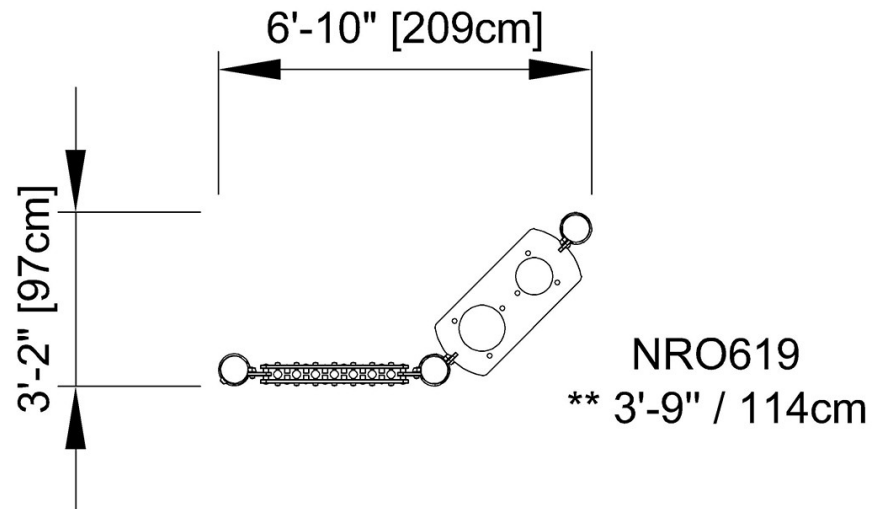
The overall framework applied for these factors is the Environmental Product Declaration (EPD), which quantifies "environmental information on the life cycle of a product and enable comparisons between products fulfilling the same function" (ISO, 2006). This follows the structure and applies a Life-Cycle Assessment approach to the entire Product stage from raw material through manufacturing (A1-A3))

# Play Panel High 2, Music

NRO619

\* Max fall height | \*\* Total height | \*\*\* Safety surfacing area

\* Max fall height | \*\* Total height



[Click to see TOP VIEW](#)

[Click to see SIDE VIEW](#)