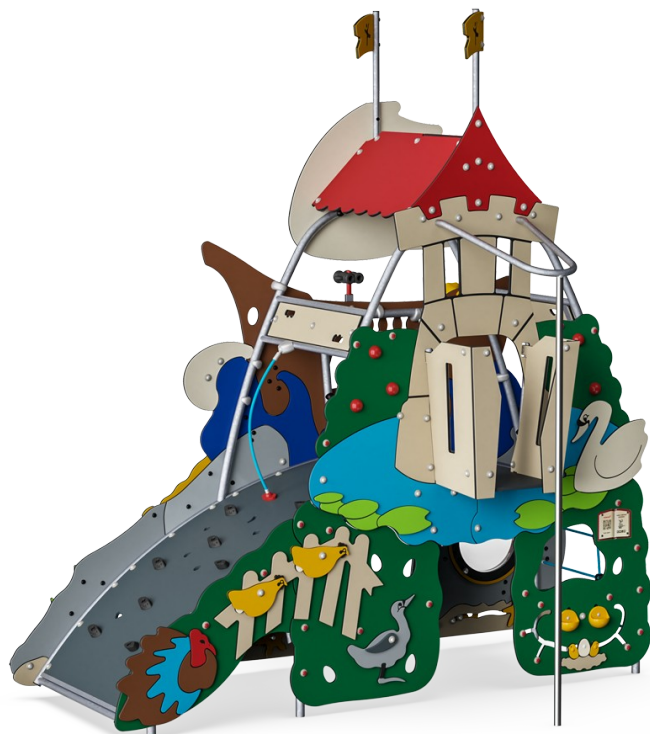
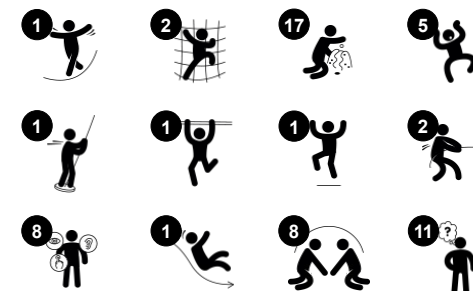


Little Mermaid & Ugly Duckling

MSC6429



Item no. MSC642900-3717P	
General Product Information	
Dimensions LxWxH	354x408x369 cm
Age group	2+
Play capacity (users)	21
Colour options	●



The highly appealing fairy-tale themes of The Ugly Duckling and the Little Mermaid get noticed by children and adults. The QR-codes give free access to a whole fairy-tale world with e-books and educational games in 16 languages. The variety of play events for the mind and body attract children to play and explore, again and again. The fairy-tale

manipulatives inspire dramatic play, which is a great training of language skills. These play features also train logical thinking skills when children figure out their function. All these elements can be worked from both sides of the panels, spurring social interaction and adding play capacity. The wide variety of climbing, sliding, and jumping activities train basic motor

skills which are important for navigating the world securely. Overall, an awesome play experience full of play benefits.

Little Mermaid & Ugly Duckling

MSC6429



Megaphone

Social-Emotional: inspires communication and turn-taking skills. **Cognitive:** distortion of sound evokes curiosity and stimulates an understanding of cause and effect.



Slide

Physical: develops spatial awareness, sense of balance and trains core muscles when sitting upright going down. **Social-Emotional:** empathy stimulated by turn-taking. **Cognitive:** young children develop their understanding of space, speed and distances when sliding down.



Binoculars

Cognitive: the binoculars promote dramatic play, a great trainer of language and communication skills. **Creative:** the binoculars can be moved around. Looking through them gives a new perspective on the world.



Book with QR-code

Cognitive: scan the code and access a range of e-books and educational games in your native or 15 other languages. Scanning in a range of e-books with fairytales or playful learning games. **Creative:** scanning in an AR (Augmented Reality) element that allows for creating photos in real time with figures from the Hans Christian Andersen fairytales.



Nest with eggs

Social-Emotional: eggs can be run from both sides of the panel, supporting cooperation and turn-taking skills. **Cognitive:** cause and effect understanding and language skills are trained when describing the movement of the eggs. **Creative:** placing the eggs in different patterns and positions, leaving a mark.



Fireman's pole

Physical: supports coordination, arm and core muscles. Landing strengthens bone density. **Social-Emotional:** turn-taking and risk-taking. **Cognitive:** young children develop their understanding of space, speed and distances when gliding down fast.



Duckling with turnable wing

Social-Emotional: by turning the wing of the duck an item on the inside of the panel moves, supports cooperation and turn-taking skills. **Cognitive:** cause and effect understanding and language skills are trained when describing the wings movement.

Little Mermaid & Ugly Duckling

MSC6429



Panels of 19mm EcoCore™. EcoCore™ is a highly durable, eco-friendly material, which is not only recyclable after use but also consists of a core produced from 100% recycled material.



All floors are made from high-pressure laminate HPL with a thickness 17.8mm and non-skid surface texture. KOMPAN HPL is high wearing and suitable for all climates.



The curved climbing wall is made of Ekogrip® panel that consists of a 15mm thick PE base with 3 mm top-layer of soft rubber with a non-skid effect.

Item no. MSC642900-3717P

Installation Information

Max. fall height	133 cm
Safety surfacing area	31.9 m ²
Total installation time	30.5
Excavation volume	0.83 m ³
Concrete volume	0.00 m ³
Footing depth (standard)	90 cm
Shipment weight	835 kg
Anchoring options	In-ground ✓ Surface ✓

Warranty Information

EcoCore HDPE	Lifetime
Galvanised Steel	Lifetime
HPL Decks	15 years
Ropes & Nets	10 years
Spare Parts Guarantee	10 years



The slides can be chosen in different materials: Straight moulded PE slides or combined EcoCore™ sides and stainless steel slide bed t=2mm.



Climbing nets are made of UV-stabilised PP rope with inner steel cable reinforcement. The rope is induction treated to obtain maximum fixation between steel and rope, which provides excellent wear and tear resistance. All rope connectors are made of 100% recyclable PA material.

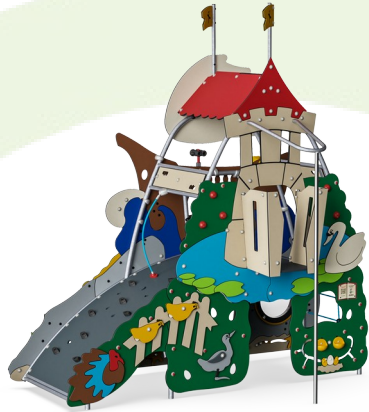


The steel surfaces are hot-dip galvanised inside and outside with lead-free zinc. The galvanisation has excellent corrosion resistance in outside environments and requires low maintenance.



Sustainability Data

MSC6429



Cradle to Gate A1-A3	Total CO ₂ emission	CO ₂ e/kg	Recycled materials
	kg CO ₂ e	kg CO ₂ e/kg	%
MSC642900-3717P	1,321.29	1.99	62.86

The overall framework applied for these factors is the Environmental Product Declaration (EPD), which quantifies "environmental information on the life cycle of a product and enable comparisons between products fulfilling the same function" (ISO, 2006). This follows the structure and applies a Life-Cycle Assessment approach to the entire Product stage from raw material through manufacturing (A1-A3))

Kompan A/S
 C.F. Tietgens Boulevard 32C
 DK-5220 Odense SØ
 Denmark



Verification of CO₂ calculation of: Themed play systems



Data version no. 2023-10-05

The CO₂ calculation and data are in compliance with the principles of a carbon footprint impact according to the GHG protocol (Greenhouse Gas Protocol), Scope 3, cradle to gate related to all individual components in the product category: "Themed play systems" represented by item no.: MSC641100-3717P.

(Scope 3 emissions include emission sources in the upstream and downstream value chain).

Date: 30. October 2023 | Valid until: 30. October 2025

Verified by:

Julie Marie Vejsgaard Larsen, LCA & EPD Consultant

Verification based on report: Validation of CO₂ calculation of 9 categories of Kompan product line, version 1.0, prepared by: Bureau Veritas HSE, Denmark: Julie M. V. Larsen.

Publication date: 30. October 2023

By Bureau Veritas HSE
 www.bureauveritas.dk
 +45 7731 1000

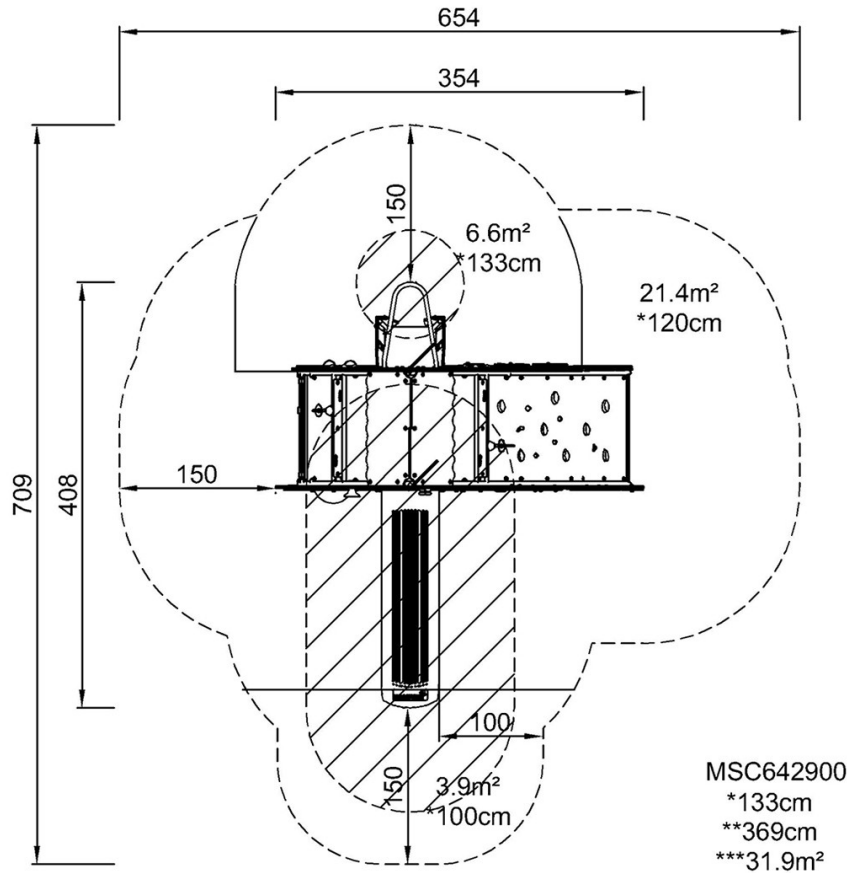


Little Mermaid & Ugly Duckling

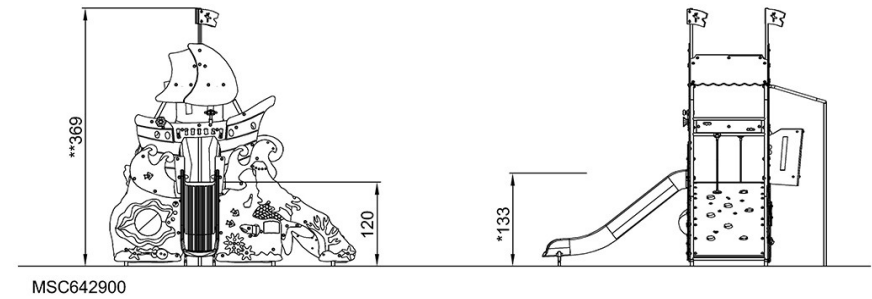
MSC6429

* Max fall height | ** Total height | *** Safety surfacing area

* Max fall height | ** Total height



[Click to see TOP VIEW](#)



[Click to see SIDE VIEW](#)