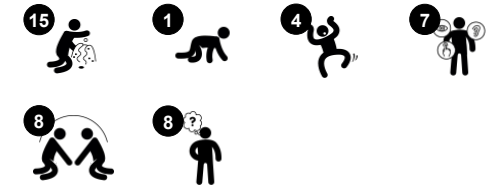


Service & Workshop

MSV602



Item no. MSV60200-0201	
General Product Information	
Dimensions LxWxH	147x120x121 cm
Age group	6m+
Play capacity (users)	8
Color options	



The Service & Workshop is a wildly at-tractive play universe for infants and toddlers. It is loaded with play possibilities and children play intensely, again and again. Infants and toddlers explore, using the structure as support for raising, crawling and walking around. Numerous play features motivate social play and support child development. The Stop-Go

sign, the gears and strings unite children that way. The Workshop side has tangible themes: gearing and steering wheels and microphone. The Service side has pressure measurer and bell. The pushing, pulling and investigation of the numerous manipulative play items stimulate the child's logical thinking skills. The rich themes inspire dramatic play, which is

phenomenal for language development – a main factor for learning, friendship-building and life success.



Service & Workshop

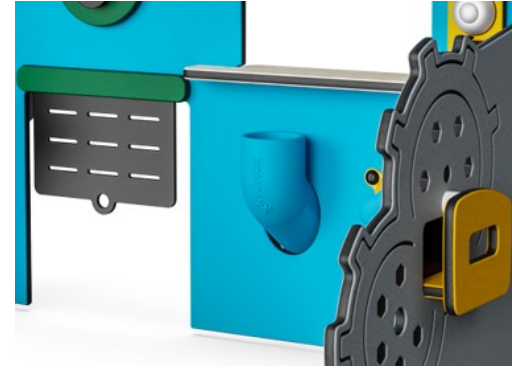
MSV602



Panels of 19mm EcoCore™. EcoCore™ is a highly durable, eco friendly material, which is not only recyclable after use, but also consists of material produced from +95% recycled post consumer material from food packing waste.



Corocord membranes consist of friction-proof rubberized material of conveyor belt quality with excellent UV resistance. Tested and compliant with REACH requirements for PAH. Embedded is a four-layered armouring made of woven polyester. The armouring and the two surface layers result in a total thickness of 7.5 mm.



Sand pipe is made from rotomoulded PE. PE has high impact resistance across a wide temperature span which ensures durability.

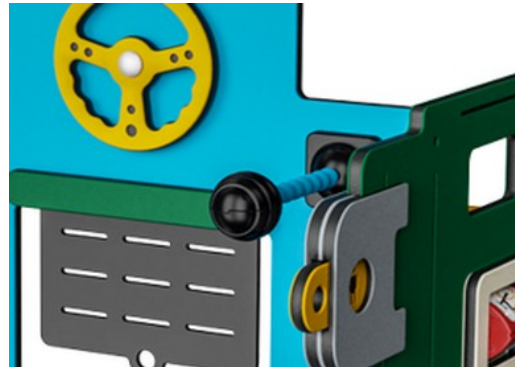
Item no. MSV60200-0201

Installation Information

Max. fall height	0 cm
Safety surfacing area	15.1 m ²
Total installation time	6.1
Excavation volume	0.00 m ³
Concrete volume	0.00 m ³
Footing depth (standard)	0 cm
Shipment weight	52 kg
Anchoring options	Surface ✓



Pots are made of pressure moulded high quality nylon (PA6). PA6 has good wearing and impact strength.

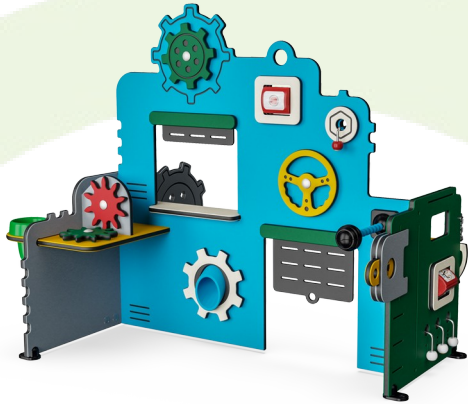


Microphone is made of PC and fitted on a flexible shaft of POM material.



Sustainability Data

MSV602



Cradle to Gate A1-A3	Total CO ₂ emission	CO ₂ e/kg	Recycled materials
	kg CO ₂ e	kg CO ₂ e/kg	%
MSV60200-0201	55.70	1.13	85.70

The overall framework applied for these factors is the Environmental Product Declaration (EPD), which quantifies "environmental information on the life cycle of a product and enable comparisons between products fulfilling the same function" (ISO, 2006). This follows the structure and applies a Life-Cycle Assessment approach to the entire Product stage from raw material through manufacturing (A1-A3))

Kompan A/S
C.F. Tietgens Boulevard 32C
DK-5220 Odense SØ
Denmark



Verification of CO₂ calculation of: Themed play systems



Data version no. 2023-10-05

The CO₂ calculation and data are in compliance with the principles of a carbon footprint impact according to the GHG protocol (Greenhouse Gas Protocol), Scope 3, cradle to gate related to all individual components in the product category: "Themed play systems" represented by item no.: MSC641100-3717P.

(Scope 3 emissions include emission sources in the upstream and downstream value chain).

Date: 30. October 2023 | Valid until: 30. October 2025

Verified by:

Julie Marie Vejsgaard Larsen, LCA & EPD Consultant

Verification based on report: Validation of CO₂ calculation of 9 categories of Kompan product line, version 1.0, prepared by: Bureau Veritas HSE, Denmark: Julie M. V. Larsen.

Publication date: 30. October 2023

By Bureau Veritas HSE
www.bureauveritas.dk
+45 7731 1000

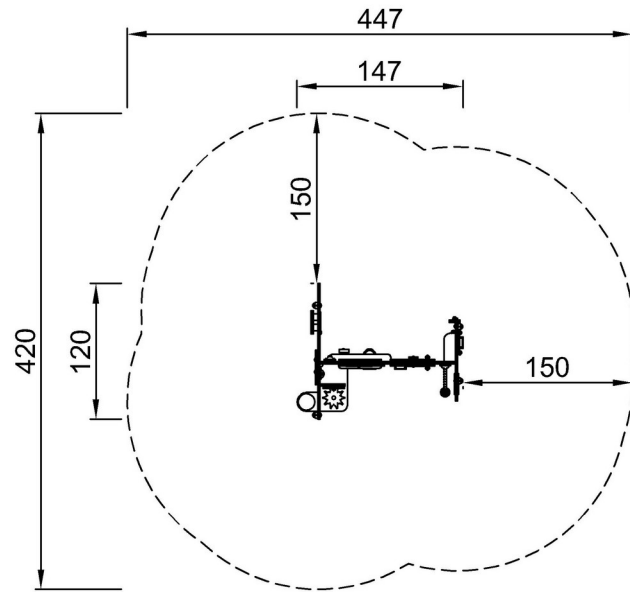


Service & Workshop

MSV602

* Max fall height | ** Total height | *** Safety surfacing area

* Max fall height | ** Total height



MSV60200-0201

**121cm
***15.1m²



MSV60200-0201

[Click to see TOP VIEW](#)

[Click to see SIDE VIEW](#)