
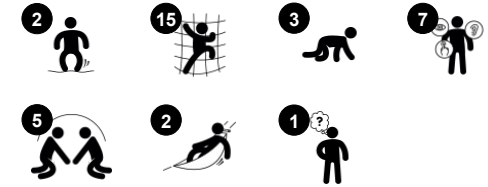


Climbing Sphere

COR88100



Item no. COR881001-0402	
General Product Information	
Dimensions LxWxH	13'1"x13'1"x10'10"
Age group	5 - 12
Play capacity (users)	32
Color options	



The eight legged, spider-like Miracle Sphere appeals immensely to children. With its webs of diverse climbing opportunities, it will attract children again and again. The swaying ropes, nets and rubber ladders offer fun and challenging ways to the vertical top net. With its spread out climbing accesses to the top net, the Miracle Sphere caters many children

playing at the same time. In addition to being great fun, the Miracle Sphere offers ample training of all major muscles and fundamental motor skills: all muscles are in use when clinging onto the ropes or climbing up high. Important motor skills such as cross-body coordination and spatial awareness are in use. These skills are fundamental when judging

distances and managing obstacles securely. The horizontal top net is a great venue for meeting friends, socializing and helping one another up find a way up to chill and enjoy the view.

Climbing Sphere

COR88100



Horizontal net

Physical: cross coordination is developed when climbing over and sense of space when looking down. **Social-Emotional:** space for socializing and bouncy breaks.



Big meshes

Physical: the big meshes allow for climbing and crawling, supporting proprioception, cross coordination and spatial awareness. Climbing here takes muscle strength, pushing and pulling arms to get upwards. **Social-Emotional:** allow more children being seated together, sharing.



Connected nets

Physical: the connected nets make the climbers feel the movements of the others, adding a dimension of fun and demanding concentration when holding tight to the rope. Cross-coordination and all muscle groups are trained. **Social-Emotional:** the climbers' movements affect the other climbers, so consideration and turn-taking is supported.



Vertical side ropes with steps

Physical: children develop cross-body coordination and muscle strength when using the steps climbing the rope. Their sense of balance is trained when swaying gently. The sense of balance is important for instance for being able to sit still. **Social-Emotional:** turn-taking when children pass each other.



Membrane loops

Physical: develops leg, arm and core muscles as well as motor skills such as cross coordination and proprioception. **Social-Emotional:** showing consideration of others and helping others when passing one another going up or down.



Transparency

Social-Emotional: the transparency makes cooperation and communication possible throughout, important life-skills for children to practice.



Rope with rubber disc

Physical: children develop cross-body coordination and muscle strength when stepping onto the disc and climbing the rope. Their sense of balance is trained when swaying gently. The sense of balance is important for instance for being able to sit still. **Social-Emotional:** socializing and turn-taking when deciding who should sit here.

Climbing Sphere

COR88100



Corocord membranes consist of friction-proof rubberized material of conveyor belt quality with excellent UV resistance. Tested and compliant with REACH requirements for PAH. Embedded is a four-layered armoring made of woven polyester. The armoring and the two surface layers result in a total thickness of 7.5 mm.



Corocord aluminium clamps are used as connectors between steel posts and rope. The aluminium casting is screwed into the steel post and connects safely to the rope.



Fully colored EPDM rubber discs with smooth surface. The moulded EPDM surrounds a hot dip galvanized steel core that ensures both the stability of the discs and durable fixation to the rope.



Corocord ropes with 19mm diameter or more are special 'Hercules' - type with galvanized six-stranded steel wires. Each strand is tightly wrapped with PES yarn, which is melted onto each individual strand. The ropes are highly wear-and vandalism-resistant and can be replaced at site if needed.



Corocord 'S' clamps are used as universal connections in Corocord products. 8mm stainless steel rods with rounded edges are pressed around the ropes with a special hydraulic press, making them the ideal connector: safe, durable and vandalism-proof, all while allowing the typical movement of rope play structures.

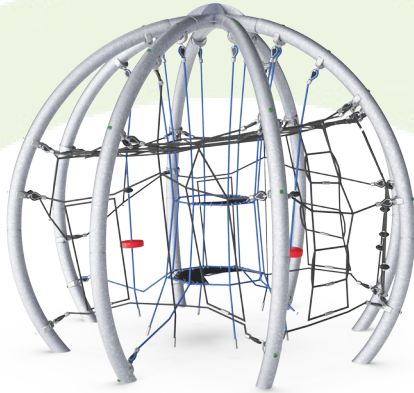
Item no. COR881001-0402	
Installation Information	
Max. fall height	7'10"
Safety surfacing area	495ft ²
Total installation time	27.1
Excavation volume	8.27yd ³
Concrete volume	3.18yd ³
Footing depth (standard)	2'2"
Shipment weight	2202lbs
Anchoring options	In-ground ✓
Warranty Information	
Aluminum clamps	10 Years
Corocord Rope	10 Years
Membrane	2 Years
S-Clamps	10 Years
Spare Parts Availability	10 Years

Elevated activities 0	Accessible elevated activities	Accessible ground level activities	Accessible ground level play types
Present	0	1	1
Required	0	1	1

**ASTM
F1487**
compliant

Sustainability Data

COR88100



Cradle to Gate A1-A3	Total CO ₂ emission	CO ₂ e/kg	Recycled materials
	kg CO ₂ e	kg CO ₂ e/kg	%
COR881001-0402	2,889.58	3.16	47.05

The overall framework applied for these factors is the Environmental Product Declaration (EPD), which quantifies "environmental information on the life cycle of a product and enable comparisons between products fulfilling the same function" (ISO, 2006). This follows the structure and applies a Life-Cycle Assessment approach to the entire Product stage from raw material through manufacturing (A1-A3))

Kompan A/S
 C.F. Tietgens Boulevard 32C
 DK-5220 Odense SØ
 Denmark



Verification of CO₂ calculation of: Corocord



Data version no. 2023-10-05

The CO₂ calculation and data are in compliance with the principles of a carbon footprint impact according to the GHG protocol (Greenhouse Gas Protocol), Scope 3, cradle to gate related to all individual components in the product category: "Corocord" represented by item no.: COR314011-1101.

(Scope 3 emissions include emission sources in the upstream and downstream value chain).

Date: 30. October 2023 | Valid until: 30. October 2025

Verified by:

Julie Marie Vejsgaard Larsen, LCA & EPD Consultant

Verification based on report: Validation of CO₂ calculation of 9 categories of Kompan product line, version 1.0, prepared by: Bureau Veritas HSE, Denmark: Julie M. V. Larsen.

Publication date: 30. October 2023

By Bureau Veritas HSE
 www.bureauveritas.dk
 +45 7731 1000

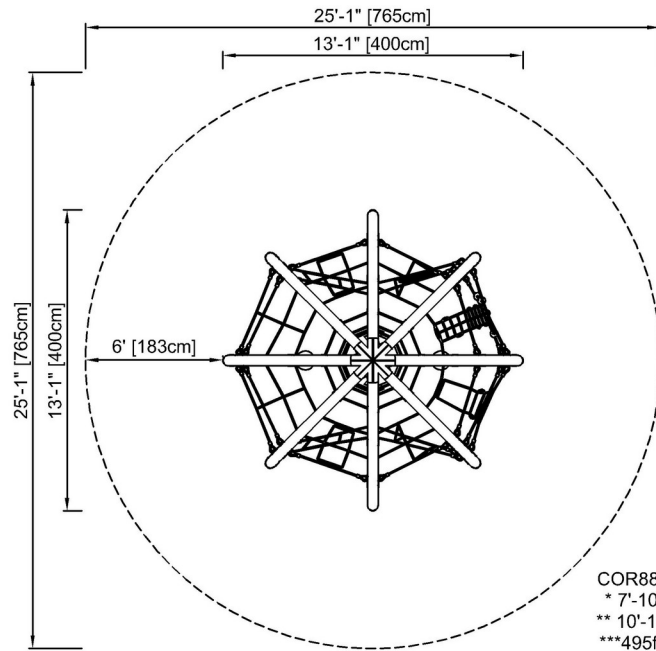


Climbing Sphere

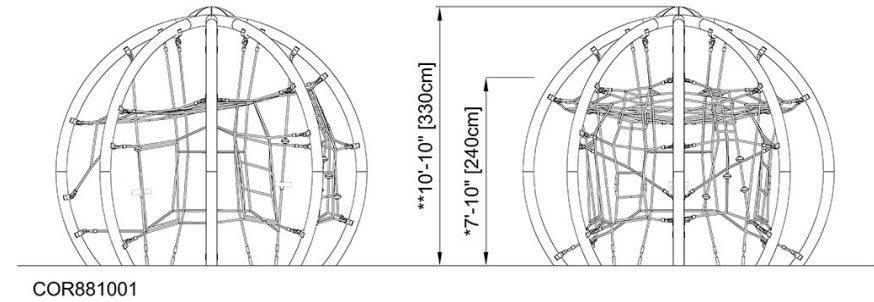
COR88100

* Max fall height | ** Total height | *** Safety surfacing area

* Max fall height | ** Total height



[Click to see TOP VIEW](#)



[Click to see SIDE VIEW](#)