

Play Panel 3 - Learning, Classic

PCM003321

Item no. PCM003321-0950

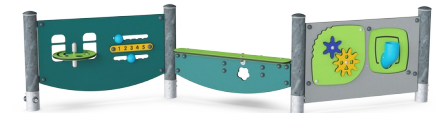
General Product Information

Dimensions LxWxH	273x164x75 cm
Age group	6m - 5
Play capacity (users)	10
Colour options	



The Learning Play panel 3 is immensely intriguing for children thanks to the richly varied tactile details. The low bench counter in the middle invites meetings and sharing and makes a great point for playing workshop, a playground favourite. On the one side of the bench, gearing wheels and a funnel stimulate children's logical thinking skills. The wheels will

turn each other, and the funnel will transport materials through. To young children, this trains their understanding of object permanence: that items can appear out of sight but still be there. The play panels can be played from both sides, which invites social play and communication.



Play Panel 3 - Learning, Classic

PCM003321



Funnel

Social-Emotional: trains cooperation and turn-taking as children put materials into the funnel. **Cognitive:** the passing of materials through funnels supports the children's logical thinking and for younger children the understanding of object permanence: that materials don't vanish but run through at the other end.



Tumblers

Cognitive: cause and effect understanding for toddlers when spinning the tumbler. The images spurs dramatic play which stimulates language development.



Gear wheels panel

Social-Emotional: cooperation skills and turn-taking are supported when turning the gearing wheel. **Cognitive:** cause and effect understanding, and logical thinking are supported.



Desk

Social-Emotional: fine meeting place and a space creator. Sharing and cooperation from both sides create a social scenario that supports communication and cooperation.



Turn disk and sound creator

Social-Emotional: spurs group play and conversations with its two-sidedness. **Cognitive:** logical thinking, understanding numeracy. **Creative:** creating sounds when the spheres run through grooves.



Two sides

Social-Emotional: invites cooperation and communication. The low height and the transparency of the panel makes interaction possible between the two sides.

Play Panel 3 - Learning, Classic

PCM003321



Panels of 19mm EcoCore™. EcoCore™ is a highly durable, eco friendly material, which is not only recyclable after use, but also consists of material produced from +95% recycled post consumer material from food packing waste.



Main posts with hot dip galvanized steel footing are available in different materials: Pressure impregnated pine wood posts. Pre-galvanized inside and outside with powder coated top finish steel posts. Lead free aluminum with color anodized top finish. Greenline TexMade posts of 95% post-consumer recycled PE and textile waste.



The Xylophone music panel consist of HDPE material in 19mm EcoCore™ made with +95% recycled post-consumer material from e.g., food packing waste in both core and colorful outer layer. The pipes are made of die cast aluminum specifically alloyed for outdoor environments. The percussion panel consist of 2 Conga Drums with PP tubes and top in colored ABS.



KOMPAN GreenLine versions are designed with ultimate environmentally friendly materials with lowest possible CO2e emission factor such as EcoCore™ panels of +95% post consumer recycled ocean waste.

Item no. PCM003321-0950	
Installation Information	
Max. fall height	0 cm
Safety surfacing area	0.0 m ²
Total installation time	6.4
Excavation volume	0.05 m ³
Concrete volume	0.00 m ³
Footing depth (standard)	85 cm
Shipment weight	123 kg
Anchoring options	In-ground <input checked="" type="checkbox"/> Surface <input checked="" type="checkbox"/>
Warranty Information	
EcoCore HDPE	Lifetime
Hot dip galvanised steel	Lifetime
Movable parts	2 years
Post	10 years
Spare parts guaranteed	10 years

Elevated activities 0	Accessible elevated activities	Accessible ground level activities	Accessible ground level play types
Present	0	3	1
Required	0	3	1

**CSA
Z614**
compliant

Sustainability Data

PCM003321



Cradle to Gate A1-A3	Total CO ₂ emission	CO ₂ e/kg	Recycled materials
	kg CO ₂ e	kg CO ₂ e/kg	%
PCM003321-0950	128.94	1.50	78.53
PCM003321-0901	174.13	2.26	66.00

The overall framework applied for these factors is the Environmental Product Declaration (EPD), which quantifies "environmental information on the life cycle of a product and enable comparisons between products fulfilling the same function" (ISO, 2006). This follows the structure and applies a Life-Cycle Assessment approach to the entire Product stage from raw material through manufacturing (A1-A3))

Kompan A/S
 C.F. Tietgens Boulevard 32C
 DK-5220 Odense SØ
 Denmark



Verification of CO₂ calculation of: Themed play systems



Data version no. 2023-10-05

The CO₂ calculation and data are in compliance with the principles of a carbon footprint impact according to the GHG protocol (Greenhouse Gas Protocol), Scope 3, cradle to gate related to all individual components in the product category: "Themed play systems" represented by item no.: MSC641100-3717P.

(Scope 3 emissions include emission sources in the upstream and downstream value chain).

Date: 30. October 2023 | Valid until: 30. October 2025

Verified by:

Julie Marie Vejsgaard Larsen, LCA & EPD Consultant

Verification based on report: Validation of CO₂ calculation of 9 categories of Kompan product line, version 1.0, prepared by: Bureau Veritas HSE, Denmark: Julie M. V. Larsen.

Publication date: 30. October 2023

By Bureau Veritas HSE
 www.bureauveritas.dk
 +45 7731 1000

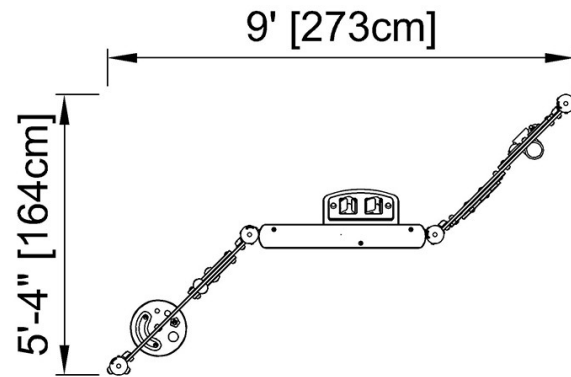


Play Panel 3 - Learning, Classic

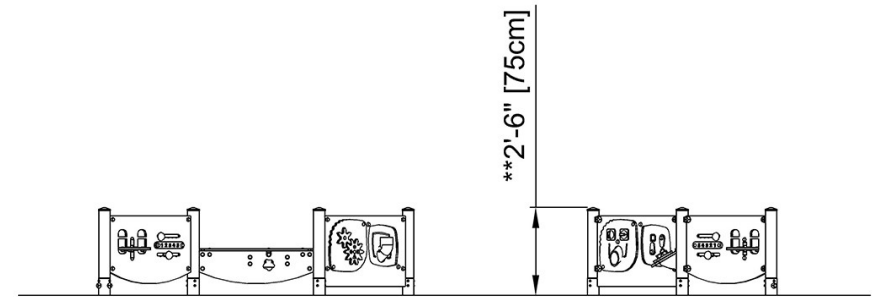
PCM003321

* Max fall height | ** Total height | *** Safety surfacing area

* Max fall height | ** Total height



PCM003321
** 2'-6" / 75cm



PCM003321

[Click to see TOP VIEW](#)

[Click to see SIDE VIEW](#)