

# Small Slide Tower

PCM104321

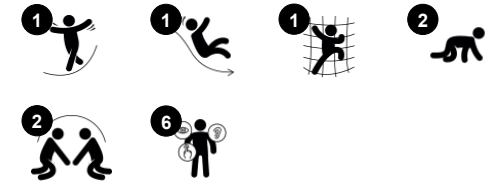
**KOMPAN**  
Let's play



Item no. PCM104321-0902

## General Product Information

Dimensions LxWxH	310x121x200 cm
Age group	2+
Play capacity (users)	3
Color options	



This slide play tower will inspire young children to play actively and come back to climb and slide again and again. The proportions and activities are scaled to provide optimal play stimulation for preschoolers. The pipe ladder offers an age-appropriate way up, training cross-coordination and muscles. Cross-coordination stimulates cross-modal

perception, necessary for skills such as reading. The windows encourage children to seek out friends and socialize. The slide encourages turn-taking and negotiation skills when deciding who to go next. Sliding offers stomach-tickling fun, training posture and balance, which are fundamental motor skills for children to feel movement security. Young

children develop their understanding of space, speed and distances when sliding down quickly.

# Small Slide Tower

PCM104321



Panel of 19mm EcoCore™ HDPE. This highly durable, eco-friendly material is not only recyclable after use, but also consists of a core produced from 100% recycled material.

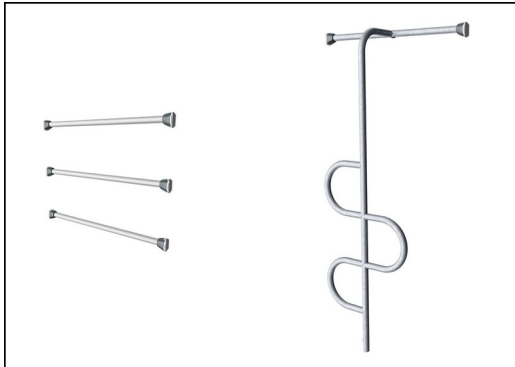


Main posts with hot dip galvanized steel footing are available in different materials: Pressure impregnated pine wood posts. Pre-galvanized inside and outside with powder coated top finish steel posts. Lead free aluminum with color anodized top finish. Greenline TexMade posts of 95% post-consumer recycled PE and textile waste.



All decks are supported by unique designed low-carbon aluminum profiles with multiple attachment options. The grey colored molded decks are made of 75% post-consumer waste PP material with a non-skid pattern and texture surface.

Item no. PCM104321-0902	
Installation Information	
Max. fall height	118 cm
Safety surfacing area	18.7 m <sup>2</sup>
Total installation time	5.7
Excavation volume	0.24 m <sup>3</sup>
Concrete volume	0.00 m <sup>3</sup>
Footing depth (standard)	90 cm
Shipment weight	168 kg
Anchoring options	In-ground ✓ Surface ✓



Pipe ladder bars are hot dip galvanised inside and outside with lead free zinc. The galvanisation has excellent corrosion resistance in outside environments and requires low maintenance.



The slides can be chosen in six different colors and three materials: Straight or curved one-piece molded PE slides, made from 33% recycled post-consumer materials in different colours. Combined EcoCore™ sides and stainless-steel. Full stainless steel in one piece design for more vandalism proof solutions.



KOMPAN GreenLine versions are designed with ultimate environmentally friendly materials with lowest possible CO2e emission factor. TexMade post, EcoCore™ panels of 95% post-consumer recycled waste and molded PP decks.

**EN  
1176**  
compliant

# Sustainability Data

PCM104321



Cradle to Gate A1-A3	Total CO <sub>2</sub> emission	CO <sub>2</sub> e/kg	Recycled materials
	kg CO <sub>2</sub> e	kg CO <sub>2</sub> e/kg	%
<b>PCM104321-0950</b>	241.10	1.70	66.40
<b>PCM104321-0902</b>	298.60	2.41	53.00

The overall framework applied for these factors is the Environmental Product Declaration (EPD), which quantifies "environmental information on the life cycle of a product and enable comparisons between products fulfilling the same function" (ISO, 2006). This follows the structure and applies a Life-Cycle Assessment approach to the entire Product stage from raw material through manufacturing (A1-A3))

**Kompan A/S**  
C.F. Tietgens Boulevard 32C  
DK-5220 Odense SØ  
Denmark



## Verification of CO<sub>2</sub> calculation of: Play systems



Data version no. 2023-10-05

The CO<sub>2</sub> calculation and data are in compliance with the principles of a carbon footprint impact according to the GHG protocol (Greenhouse Gas Protocol), Scope 3, cradle to gate related to all individual components in the product category: "Play systems" represented by item no.: PCM200321-0950.

(Scope 3 emissions include emission sources in the upstream and downstream value chain).

**Date: 30. October 2023 | Valid until: 30. October 2025**

Verified by:

Julie Marie Vejsgaard Larsen, LCA & EPD Consultant

Verification based on report: Validation of CO<sub>2</sub> calculation of 9 categories of Kompan product line, version 1.0, prepared by: Bureau Veritas HSE, Denmark: Julie M. V. Larsen.

**Publication date: 30. October 2023**

By Bureau Veritas HSE  
www.bureauveritas.dk  
+45 7731 1000

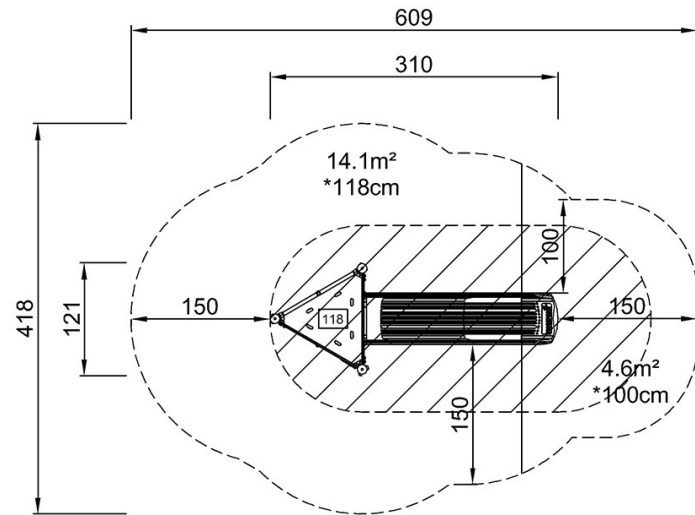


# Small Slide Tower

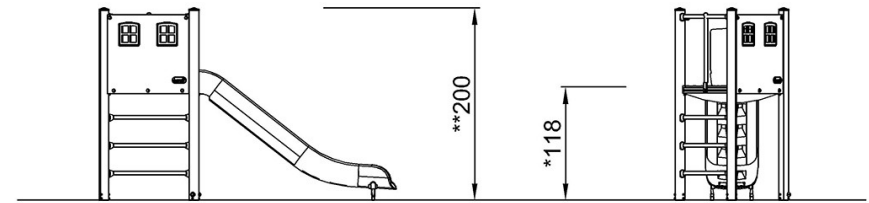
PCM104321

\* Max fall height | \*\* Total height | \*\*\* Safety surfacing area

\* Max fall height | \*\* Total height



PCM104321  
\*118cm  
\*\*200cm  
\*\*\*18.7m<sup>2</sup>



PCM104321

[Click to see TOP VIEW](#)

[Click to see SIDE VIEW](#)