

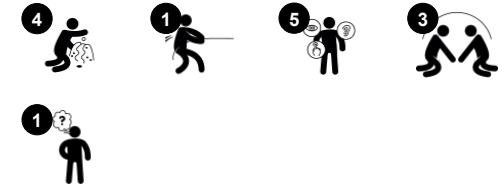
Toddler Oasis with Sand Desk

NRO523

KOMPAN
Let's play



| | |
|------------------------------------|----------------|
| Item no. NRO523-0621 | |
| General Product Information | |
| Dimensions LxWxH | 249x198x210 cm |
| Age group | 1+ |
| Play capacity (users) | 6 |
| Color options | |



The great Toddler Oasis with Sand Desk absorbs children in construction play for hours and hours, again and again. The podium is roomy and can be played from all sides. This allows for more children in action, in spite of the small foot-print. The Sand Desk is the main attraction: the sieve and tube in each their way leads sand to the ground level. This is an

eternal source of wonder for young children. It develops their understanding of object permanence: that things don't necessarily cease to exist, when you cannot see them anymore. For cognitive development this is fundamental. The shovels can work horizontally or vertically, transporting material from side to side or up and down. This trains spatial

awareness as children communicate and negotiate their explorative play adventures, building social skills.



Toddler Oasis with Sand Desk

NRO523



All Organic Robinia products by KOMPAN are made of Robinia wood from sustainable European sources. On request it can be supplied as FSC® Certified (FSC® C004450).



The product/activities are preassembled from the factory to ensure all safety requirements are considered.



The paint used for coloured components is water based environmentally friendly with excellent UV resistance. The paint is in compliance with EN 71 Part 3.

| Item no. NRO523-0621 | |
|--------------------------|---------------------|
| Installation Information | |
| Max. fall height | 28 cm |
| Safety surfacing area | 22.6 m ² |
| Total installation time | 9.1 |
| Excavation volume | 0.46 m ³ |
| Concrete volume | 0.04 m ³ |
| Footing depth (standard) | 63 cm |
| Shipment weight | 440 kg |
| Anchoring options | In-ground ✓ |



The Robinia products are designed with a KOMPAN colour concept with a number of different standard colours. The wood can also be supplied as untreated or with brown painted with a pigment that maintains the wood colour.



Sustainability Data

NRO523



| Cradle to Gate A1-A3 | Total CO ₂ emission | CO ₂ e/kg | Recycled materials |
|----------------------|--------------------------------|-------------------------|--------------------|
| | kg CO ₂ e | kg CO ₂ e/kg | % |
| NRO523-0621 | 121.90 | 0.35 | 3.00 |

The overall framework applied for these factors is the Environmental Product Declaration (EPD), which quantifies "environmental information on the life cycle of a product and enable comparisons between products fulfilling the same function" (ISO, 2006). This follows the structure and applies a Life-Cycle Assessment approach to the entire Product stage from raw material through manufacturing (A1-A3))

Kompan A/S
 C.F. Tietgens Boulevard 32C
 DK-5220 Odense SØ
 Denmark



Verification of CO₂ calculation of: Nature play



Data version no. 2023-10-05

The CO₂ calculation and data are in compliance with the principles of a carbon footprint impact according to the GHG protocol (Greenhouse Gas Protocol), Scope 3, cradle to gate related to all individual components in the product category: "Nature play" represented by item no.: NRO409-0621.

(Scope 3 emissions include emission sources in the upstream and downstream value chain).

Date: 30. October 2023 | Valid until: 30. October 2025

Verified by:

Julie Marie Vejsgaard Larsen, LCA & EPD Consultant

Verification based on report: Validation of CO₂ calculation of 9 categories of Kompan product line, version 1.0, prepared by: Bureau Veritas HSE, Denmark: Julie M. V. Larsen.

Publication date: 30. October 2023

By Bureau Veritas HSE
 www.bureauveritas.dk
 +45 7731 1000

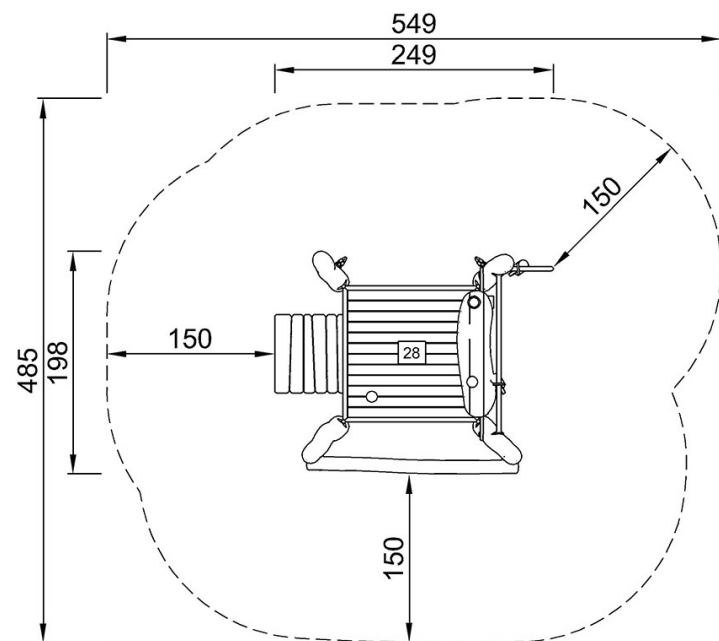


Toddler Oasis with Sand Desk

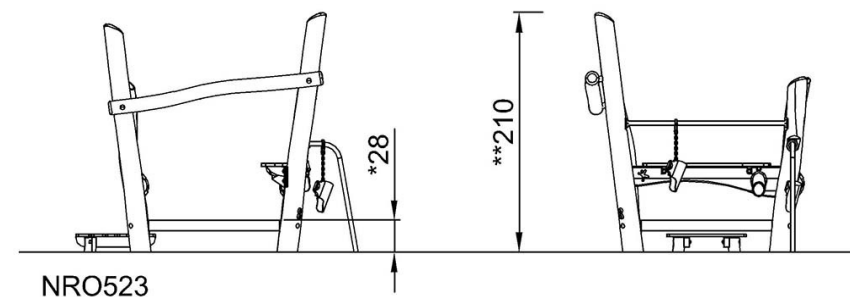
NRO523

* Max fall height | ** Total height | *** Safety surfacing area

* Max fall height | ** Total height



NRO523
*28cm
**210cm
***22.6m²



[Click to see TOP VIEW](#)

[Click to see SIDE VIEW](#)