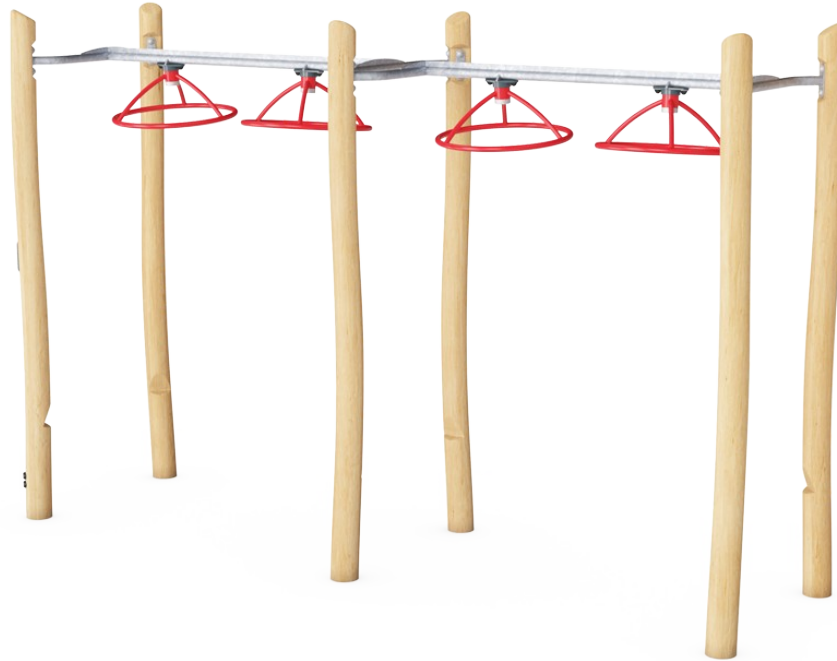


# Double Turbo Challenge Robinia

FRO212

**KOMPAN**  
Let's play



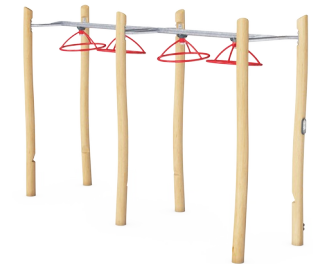
Item no. FRO21200-1001

## General Product Information

Dimensions LxWxH	14'10"x4'2"x9'7"
Age group	13+
Play capacity (users)	3
Color options	



See KOMPAN Fit App for More Information



The Turbo Challenge is the most dynamic and thrilling element of all obstacle course exercises. To do the exercise in the best way, a combination of skills, timing, rhythm, and cross-body coordination is needed. This Turbo Challenge is wide and high to ensure anyone can hang and move freely. To make sure that everyone can reach the dynamic wheels there

are 4 steps at different heights. For an optimized and direct swing, the 4 four dynamic wheels have been mounted under a 5-degree angle.

The Robinia bars are made from de-barked and sap-free Robinia trunks in various dimensions. Robinia is a native European wood species with high strength and natural

durability in various climatic conditions. KOMPAN uses wood from FSC-certified sources.

# Double Turbo Challenge Robinia

FRO212



All Organic Robinia products by KOMPAN are made of Robinia wood from sustainable European sources. On request it can be supplied as FSC® Certified (FSC® C004450).



The Robinia wood can be supplied as untreated raw wood or painted with a brown colored transparent pigment that maintains the golden wood color of the wood.



All KOMPAN fitness products are compliant with the ASTM F3101 & EN16630 Outdoor Fitness Standards. Load tests are performed as a static test by adding dynamic factors as well as safety factors to the specified load of 78kg per user. A product intended for 1 user is loaded with 420kg.

Item no. FRO21200-1001	
Installation Information	
Max. fall height	7'5"
Safety surfacing area	245ft <sup>2</sup>
Total installation time	8.1
Excavation volume	1.54yd <sup>3</sup>
Concrete volume	0.46yd <sup>3</sup>
Footing depth (standard)	3'3"
Shipment weight	1169lbs
Anchoring options	In-ground ✓ Surface ✓
Warranty Information	
Bearing construction	5 Years
Hot dip galvanized steel	Lifetime
Robinia Wood	10 Years
Spare Parts Availability	10 Years
Wheels	10 Years

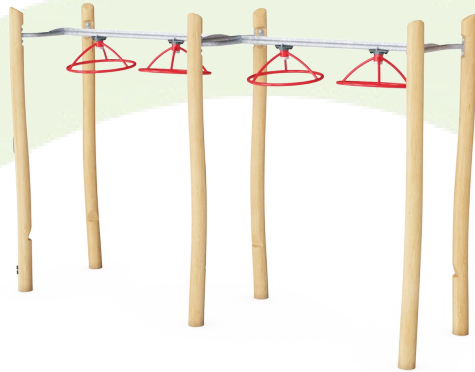


Overhead Turbo Challenge have a base of hot dip galvanization and a powder coated top finish. This provides an ultimate corrosion resistance in all climates around the world.

**ASTM  
F3101**  
compliant

# Sustainability Data

FRO212



Cradle to Gate A1-A3	Total CO <sub>2</sub> emission	CO <sub>2</sub> e/kg	Recycled materials
	kg CO <sub>2</sub> e	kg CO <sub>2</sub> e/kg	%
<b>FRO21200-1001</b>	256.00	0.60	9.40

The overall framework applied for these factors is the Environmental Product Declaration (EPD), which quantifies "environmental information on the life cycle of a product and enable comparisons between products fulfilling the same function" (ISO, 2006). This follows the structure and applies a Life-Cycle Assessment approach to the entire Product stage from raw material through manufacturing (A1-A3))

**Kompan A/S**  
 C.F. Tietgens Boulevard 32C  
 DK-5220 Odense SØ  
 Denmark



## Verification of CO<sub>2</sub> calculation of: Fitness



Data version no. 2023-10-05

The CO<sub>2</sub> calculation and data are in compliance with the principles of a carbon footprint impact according to the GHG protocol (Greenhouse Gas Protocol), Scope 3, cradle to gate related to all individual components in the product category: "Fitness" represented by item no.: FAZ10100-0900.

(Scope 3 emissions include emission sources in the upstream and downstream value chain).

**Date: 30. October 2023 | Valid until: 30. October 2025**

**Verified by:**

Julie Marie Vejsgaard Larsen, LCA & EPD Consultant

Verification based on report: Validation of CO<sub>2</sub> calculation of 9 categories of Kompan product line, version 1.0, prepared by: Bureau Veritas HSE, Denmark: Julie M. V. Larsen.

**Publication date: 30. October 2023**

**By Bureau Veritas HSE**  
 www.bureauveritas.dk  
 +45 7731 1000

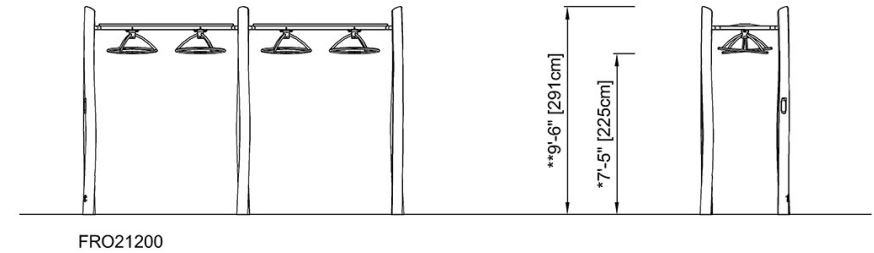
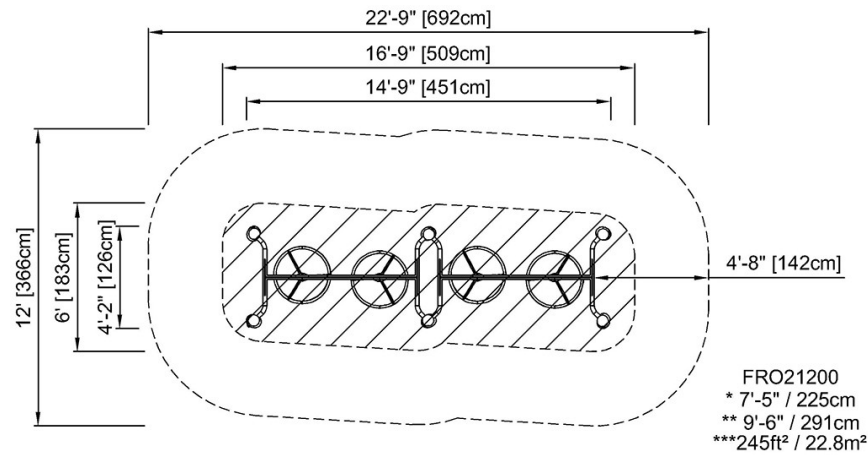


# Double Turbo Challenge Robinia

FRO212

\* Max fall height | \*\* Total height | \*\*\* Safety surfacing area

\* Max fall height | \*\* Total height



[Click to see TOP VIEW](#)

[Click to see SIDE VIEW](#)