

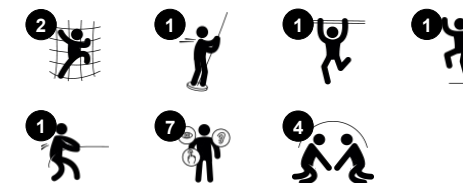
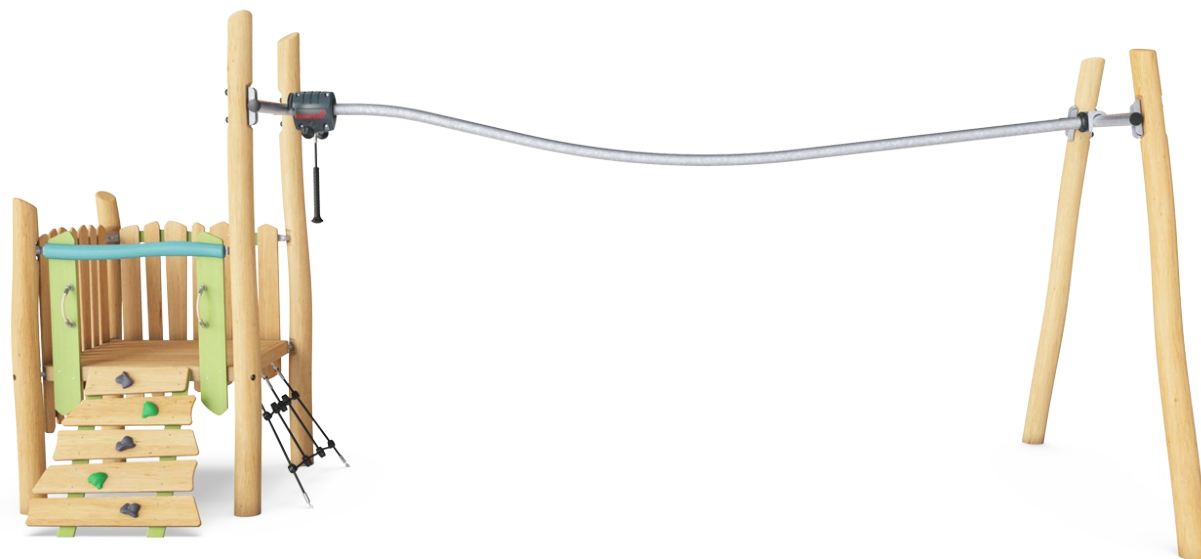
# Track Ride Tower

NRO1027

Item no. NRO1027-1021

## General Product Information

|                       |   |
|-----------------------|---|
| Dimensions LxWxH      | 682x320x298 cm  |
| Age group             | 6+  |
| Play capacity (users) | 5   |
| Colour options        |  |

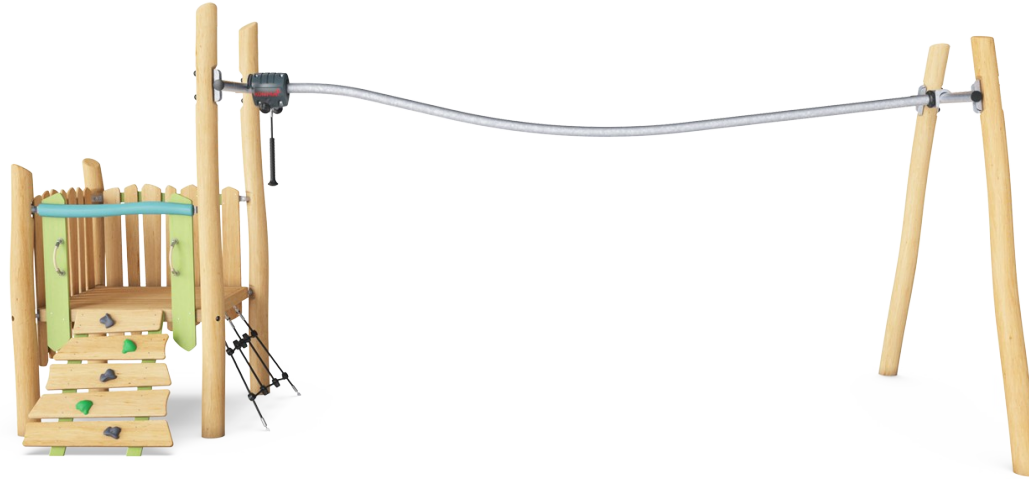


The Track ride tower is a great ride, thrilling as the child glides down the track hanging in the arms, maybe only using one handle and sharing the other with a friend. The run back, delivering the handle for the next child waiting makes this a highly active play event. In surveys this is a favourite among children. The access to the start platform is made easy by

having a choice between the inclined rope ladder and a sturdy, inclined climbing wall. The product is available as FSC® Certified (FSC® C004450) robinia wood on request.

# Track Ride Tower

NRO1027



## Track Ride

**Physical:** train arm and core muscles. Bone density when jumping down from the handholds and motor skills like agility, balance and coordination are supported. **Social-Emotional:** cooperation, consideration, turn-taking, risk-taking, self-confidence.



## Rock climber

**Physical:** supports cross coordination and leg, arm and hand strength. The hand-holds on top ease entry into platform. **Social-Emotional:** the inclination makes climbing feel secure, especially for younger children.

# Track Ride Tower

NRO1027



All Organic Robinia products by KOMPAN are made of Robinia wood from sustainable European sources. On request it can be supplied as FSC® Certified (FSC® C004450).



The paint used for coloured components is water based environmentally friendly with excellent UV resistance. The paint is in compliance with EN 71 Part 3.



The hardware is made of stainless steel or galvanised steel to ensure durable connections with a high corrosion resistance.

Item no. NRO1027-1021

### Installation Information

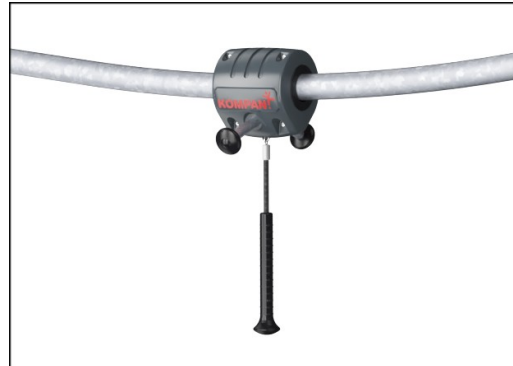
|                          |                     |
|--------------------------|---------------------|
| Max. fall height         | 100 cm              |
| Safety surfacing area    | 40.5 m <sup>2</sup> |
| Total installation time  | 14.3                |
| Excavation volume        | 1.56 m <sup>3</sup> |
| Concrete volume          | 0.15 m <sup>3</sup> |
| Footing depth (standard) | 100 cm              |
| Shipment weight          | 772 kg              |
| Anchoring options        | In-ground ✓         |

### Warranty Information

|                            |          |
|----------------------------|----------|
| Robinia wood               | 15 years |
| Ropes & nets               | 10 years |
| Spare parts guaranteed     | 10 years |
| Stainless steel components | Lifetime |
| Stainless steel components | Lifetime |



Ropes of UV-stabilized PES rope strands with inner steel cable reinforcement. The polyester yarn is made from +95% post-consumer materials and is inductively melted onto each strand.



The hang-on puller is designed with a welded steel core and covered with low-density PE housing. The two hot dip galvanised steel handles are angled to provide best possible ergonomic while gliding. The wheels of the puller are made of low noise TPU and installed with sealed ball bearings.

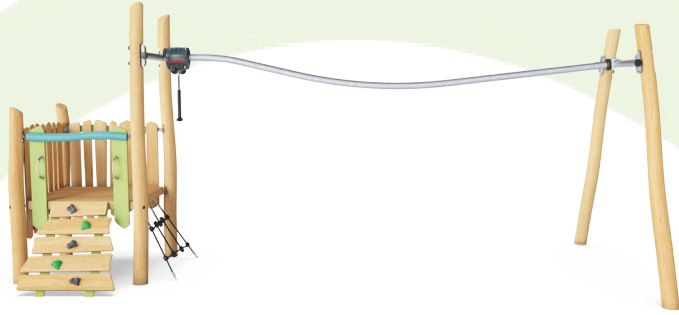


The Robinia products are designed with a KOMPAN colour concept with a number of different standard colours. The wood can also be supplied as untreated or with brown painted with a pigment that maintains the wood colour.



# Sustainability Data

NRO1027



| Cradle to Gate A1-A3 | Total CO <sub>2</sub> emission | CO <sub>2</sub> e/kg    | Recycled materials |
|----------------------|--------------------------------|-------------------------|--------------------|
|                      | kg CO <sub>2</sub> e           | kg CO <sub>2</sub> e/kg | %                  |
| <b>NRO1027-1021</b>  | 332.10                         | 0.58                    | 8.66               |

The overall framework applied for these factors is the Environmental Product Declaration (EPD), which quantifies "environmental information on the life cycle of a product and enable comparisons between products fulfilling the same function" (ISO, 2006). This follows the structure and applies a Life-Cycle Assessment approach to the entire Product stage from raw material through manufacturing (A1-A3))

**Kompan A/S**  
 C.F. Tietgens Boulevard 32C  
 DK-5220 Odense SØ  
 Denmark



## Verification of CO<sub>2</sub> calculation of: Nature play



Data version no. 2023-10-05

The CO<sub>2</sub> calculation and data are in compliance with the principles of a carbon footprint impact according to the GHG protocol (Greenhouse Gas Protocol), Scope 3, cradle to gate related to all individual components in the product category: "Nature play" represented by item no.: NRO409-0621.

(Scope 3 emissions include emission sources in the upstream and downstream value chain).

**Date: 30. October 2023 | Valid until: 30. October 2025**

**Verified by:**

Julie Marie Vejsgaard Larsen, LCA & EPD Consultant

Verification based on report: Validation of CO<sub>2</sub> calculation of 9 categories of Kompan product line, version 1.0, prepared by: Bureau Veritas HSE, Denmark: Julie M. V. Larsen.

**Publication date: 30. October 2023**

**By Bureau Veritas HSE**  
 www.bureauveritas.dk  
 +45 7731 1000

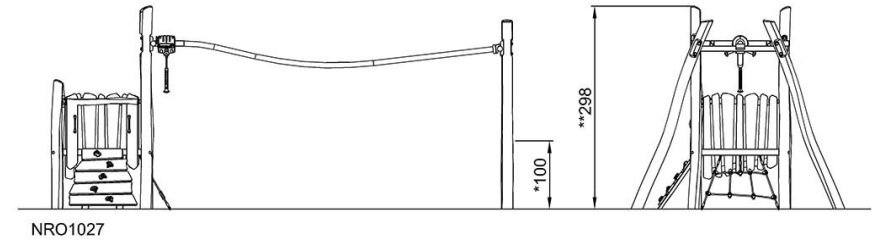
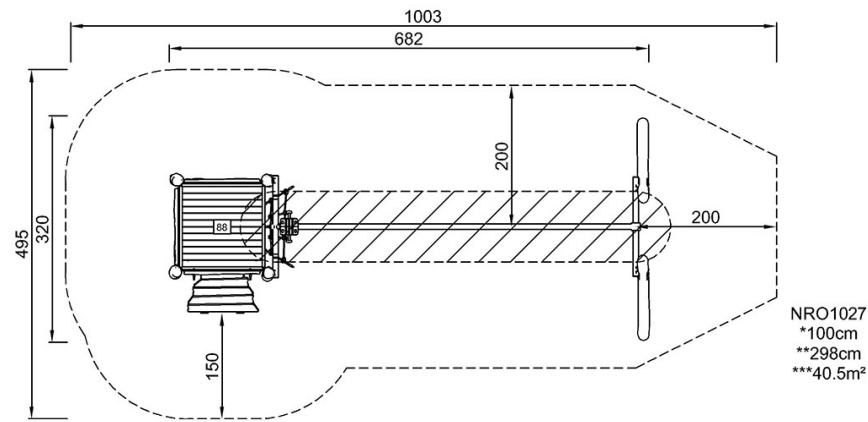


# Track Ride Tower

NRO1027

\* Max fall height | \*\* Total height | \*\*\* Safety surfacing area

\* Max fall height | \*\* Total height



[Click to see TOP VIEW](#)

[Click to see SIDE VIEW](#)