

Baby/Toddler Swing Seat 3.0m high

SW990024

KOMPANI
Let's play

Item no. SW990024-00

General Product Information

Dimensions LxWxH	63x37x240 cm
Age group	1+
Play capacity (users)	1
Colour options	●



Reliable and supportive, an irresistible invitation for infants to swing. Baby Seat Swing will give caregivers and infants joy and have them returning again and again. There are several benefits of the attraction: firstly, the swing seat supports the seated infant all around so that the feeling of security is guaranteed. Secondly, the rubber seat is

placed at a good height for the infant to be at eye level with children. The swinging motion trains the child's motor skills, specifically the sense of balance and space. Seated while swinging also trains the core muscles. All of these physical skills are fundamental to the infant's ability to walk and navigate the surroundings securely. The action also

stimulates the understanding of cause and effect and thinking skills. Socially, swinging and getting pushed in the swing seat by parents, caregivers or siblings is great fun.



Baby/Toddler Swing Seat 3.0m high

SW990024



Toddler swing seat

Physical: balance, coordination and spatial awareness are developed when swinging.

These are necessary skills for judging distances and navigating. **Social-Emotional:** feeling of security from support. **Cognitive:** understanding of 'cause and effect'.



Baby/Toddler Swing Seat 3.0m high

SW990024



The baby seat is a two component seat with a PP inner core and outside rubber, produced in one operation. The seat is available with swing chains of either hot-dip galvanised steel or stainless steel.

Item no. SW990024-00	
Installation Information	
Max. fall height	0 cm
Safety surfacing area	15.3 m ²
Total installation time	0.1
Excavation volume	0.00 m ³
Concrete volume	0.00 m ³
Footing depth (standard)	0 cm
Shipment weight	7 kg
Anchoring options	
Warranty Information	
Chains	10 years
Spare Parts Guarantee	10 years
Swing Seat	10 years



Sustainability Data

SW990024



Cradle to Gate A1-A3	Total CO ₂ emission	CO ₂ e/kg	Recycled materials
	kg CO ₂ e	kg CO ₂ e/kg	%
SW990024-00	25.74	4.28	26.13

The overall framework applied for these factors is the Environmental Product Declaration (EPD), which quantifies "environmental information on the life cycle of a product and enable comparisons between products fulfilling the same function" (ISO, 2006). This follows the structure and applies a Life-Cycle Assessment approach to the entire Product stage from raw material through manufacturing (A1-A3))

Kompan A/S
 C.F. Tietgens Boulevard 32C
 DK-5220 Odense SØ
 Denmark



Verification of CO₂ calculation of: Freestanding play equipment



Data version no. 2023-10-05

The CO₂ calculation and data are in compliance with the principles of a carbon footprint impact according to the GHG protocol (Greenhouse Gas Protocol), Scope 3, cradle to gate related to all individual components in the product category: "Freestanding play equipment" represented by item no.: KSW92011-0910.

(Scope 3 emissions include emission sources in the upstream and downstream value chain).

Date: 30. October 2023 | Valid until: 30. October 2025

Verified by:

Julie Marie Vejsgaard Larsen, LCA & EPD Consultant

Verification based on report: Validation of CO₂ calculation of 9 categories of Kompan product line, version 1.0, prepared by: Bureau Veritas HSE, Denmark: Julie M. V. Larsen.

Publication date: 30. October 2023

By Bureau Veritas HSE
 www.bureauveritas.dk
 +45 7731 1000

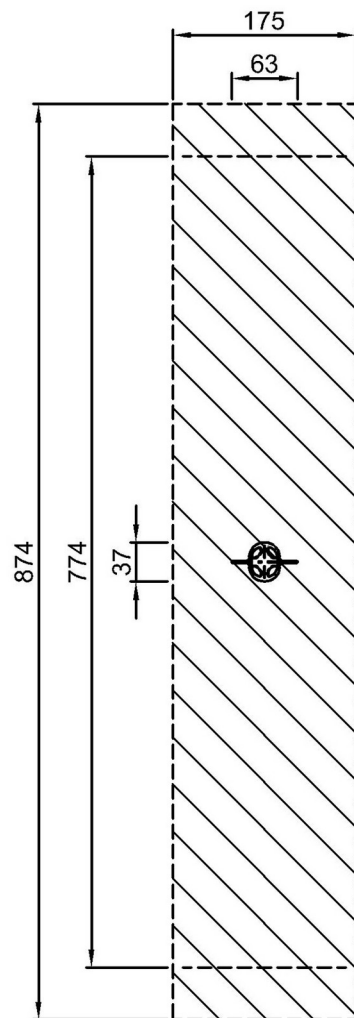


Baby/Toddler Swing Seat 3.0m high

SW990024

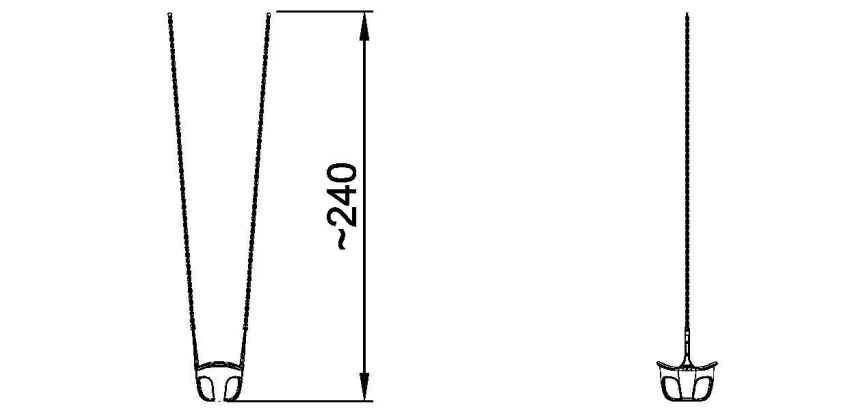
* Max fall height | ** Total height | *** Safety surfacing area

* Max fall height | ** Total height



SW990024

***15.3m²



SW990024

1:100

[Click to see TOP VIEW](#)

[Click to see SIDE VIEW](#)