


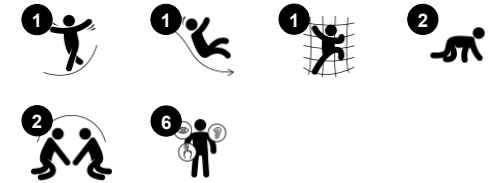
Small Slide Tower

PCM114521

KOMPAN
Let's play



Item no. PCM114521-0901	
General Product Information	
Dimensions LxWxH	387x121x260 cm
Age group	4+
Play capacity (users)	3
Color options	

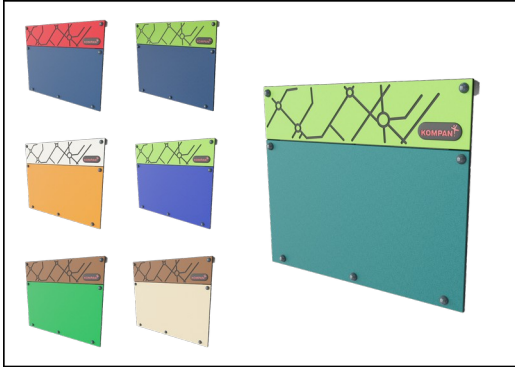


The slide play tower will inspire children to play actively and come back to climb and slide again and again. The pipe ladder offers an age-appropriate and fast way up, training muscles and cross-coordination. This enhances children's ability to use both sides of the brain, supporting the internal structures enabling reading and thinking. Climbing the tower is

rewarded with a stomach-tickling ride down the slide, training children's balance and posture. These are fundamental motor skills for children to feel movement security and to be able to sit still and concentrate. On the slide as well as the pipe ladder, children learn about turn-taking, empathy, and cooperation.

Small Slide Tower

PCM114521



Panels of 19mm EcoCore™. EcoCore™ is a highly durable, eco friendly material, which is not only recyclable after use, but also consists of material produced from +95% recycled post consumer material from food packing waste.

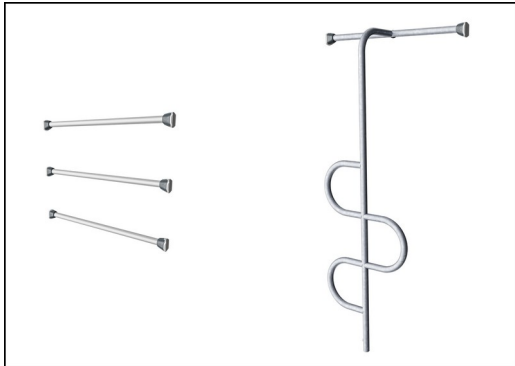


Main posts with hot dip galvanized steel footing are available in different materials: Pressure impregnated pine wood posts. Pre-galvanized inside and outside with powder coated top finish steel posts. Lead free aluminum with color anodized top finish. Greenline TexMade posts of 95% post-consumer recycled PE and textile waste.



All decks are supported by unique designed low-carbon aluminum profiles with multiple attachment options. The grey colored molded decks are made of 75% post-consumer waste PP material with a non-skid pattern and texture surface.

Item no. PCM114521-0901	
Installation Information	
Max. fall height	178 cm
Safety surfacing area	24.7 m ²
Total installation time	6.1
Excavation volume	0.24 m ³
Concrete volume	0.00 m ³
Footing depth (standard)	90 cm
Shipment weight	190 kg
Anchoring options	Surface ✓ In-ground ✓



Pipe ladder bars are hot dip galvanised inside and outside with lead free zinc. The galvanisation has excellent corrosion resistance in outside environments and requires low maintenance.



The slides can be chosen in six different colors and three materials: Straight or curved one-piece molded PE slides, made from 33% recycled post-consumer materials in different colours. Combined EcoCore™ sides and stainless-steel. Full stainless steel in one piece design for more vandalism proof solutions.



KOMPAN GreenLine versions are designed with ultimate environmentally friendly materials with lowest possible CO2e emission factor. TexMade post, EcoCore™ panels of 95% post-consumer recycled waste and molded PP decks.

EN
1176
compliant

Sustainability Data

PCM114521



Cradle to Gate A1-A3	Total CO ₂ emission	CO ₂ e/kg	Recycled materials
	kg CO ₂ e	kg CO ₂ e/kg	%
PCM114521-0950	272.90	1.66	66.00
PCM114521-0901	352.80	2.51	50.20

The overall framework applied for these factors is the Environmental Product Declaration (EPD), which quantifies "environmental information on the life cycle of a product and enable comparisons between products fulfilling the same function" (ISO, 2006). This follows the structure and applies a Life-Cycle Assessment approach to the entire Product stage from raw material through manufacturing (A1-A3))

Kompan A/S
C.F. Tietgens Boulevard 32C
DK-5220 Odense SØ
Denmark



Verification of CO₂ calculation of: Play systems



Data version no. 2023-10-05

The CO₂ calculation and data are in compliance with the principles of a carbon footprint impact according to the GHG protocol (Greenhouse Gas Protocol), Scope 3, cradle to gate related to all individual components in the product category: "Play systems" represented by item no.: PCM200321-0950.

(Scope 3 emissions include emission sources in the upstream and downstream value chain).

Date: 30. October 2023 | Valid until: 30. October 2025

Verified by:

Julie Marie Vejsgaard Larsen, LCA & EPD Consultant

Verification based on report: Validation of CO₂ calculation of 9 categories of Kompan product line, version 1.0, prepared by: Bureau Veritas HSE, Denmark: Julie M. V. Larsen.

Publication date: 30. October 2023

By Bureau Veritas HSE
www.bureauveritas.dk
+45 7731 1000

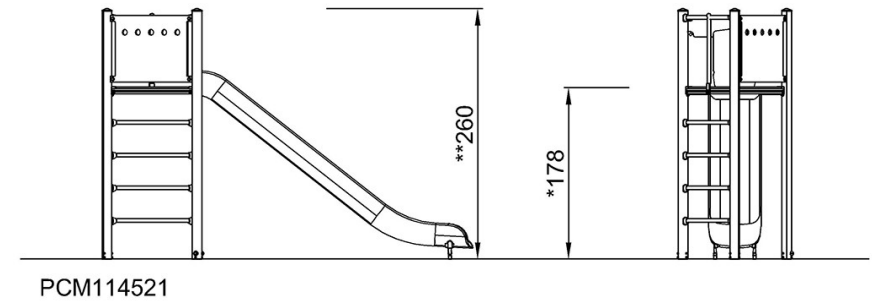
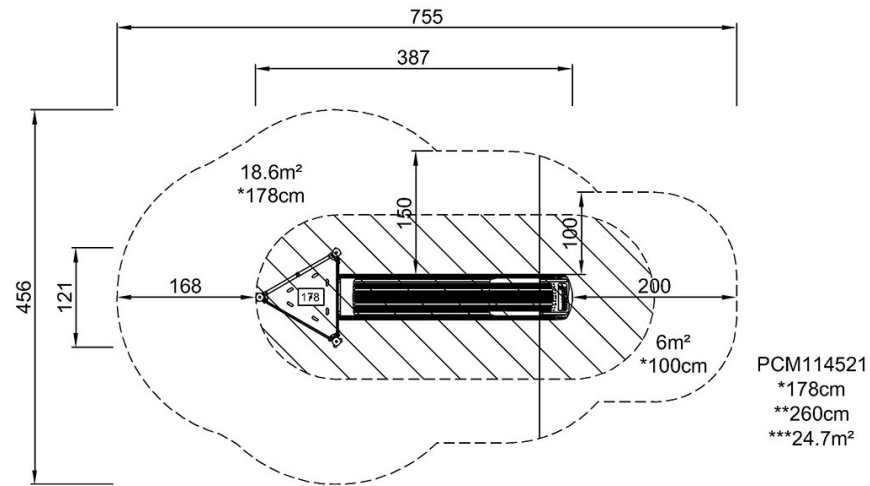


Small Slide Tower

PCM114521

* Max fall height | ** Total height | *** Safety surfacing area

* Max fall height | ** Total height



[Click to see TOP VIEW](#)

[Click to see SIDE VIEW](#)