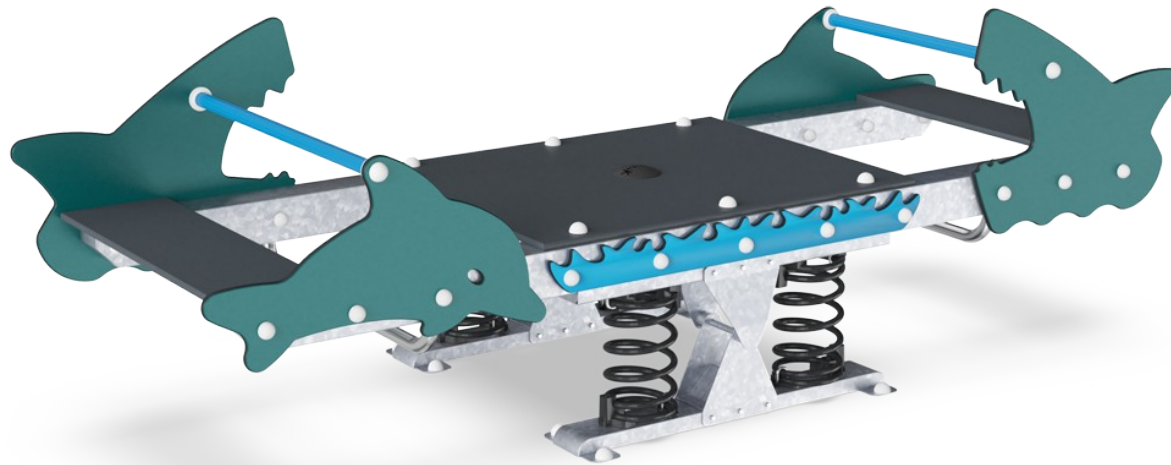


# Ocean Multi Seesaw

M187



Item no. M18775-01P

## General Product Information

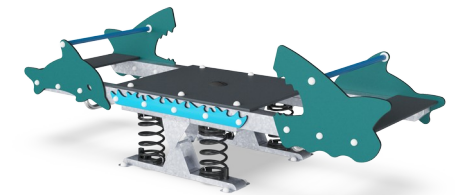
Dimensions LxWxH	108x315x100 cm
Age group	3+
Play capacity (users)	10
Color options	



The Ocean Multi Seesaw helps encourage children to join in play, rocking together. The modern design and sturdy back and foot supports allow for many children of all abilities to play together. The risk seekers can stand on the middle platform securely, sensing the movement of the others. The spacious platform also allows for socializing and children can lay

down or sit. There is room enough for care givers, too. The seats at the end are big enough for older children as well as adults. The fun thrill of rocking, individually, in small or in big groups, will make children return for more. Rocking on the Ocean multi seesaw trains the children's muscles and motor skills, their balance and coordination. The spaciousness of

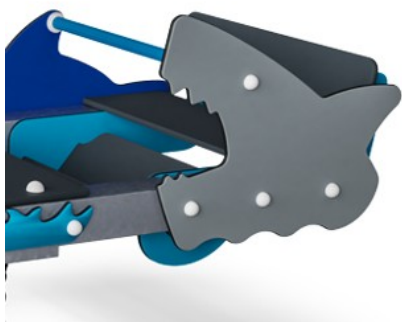
the seesaw supports development of social-emotional skills, e.g. cooperation, consideration and turn-taking. Toddlers experience cause-and-effect understanding.



Data is subject to change without prior notice.

# Ocean Multi Seesaw

M187



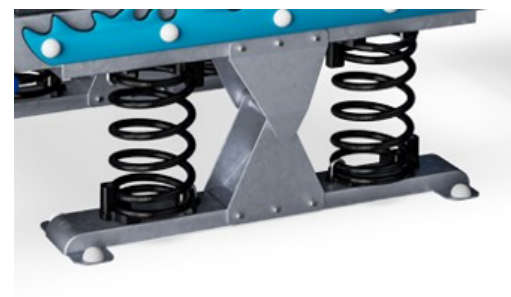
Panels of 19mm EcoCore™. EcoCore™ is a highly durable, eco friendly material, which is not only recyclable after use, but also consists of material produced from +95% recycled post consumer material from food packing waste.



KOMPAN Springs are made of high quality spring steel according to EN10270. The springs are cleaned by phosphating before they are painted with an epoxy primer and a polyester powder coating as top finish. The springs are fixed by unique anti pinch fittings for maximum safety and long lifetime.



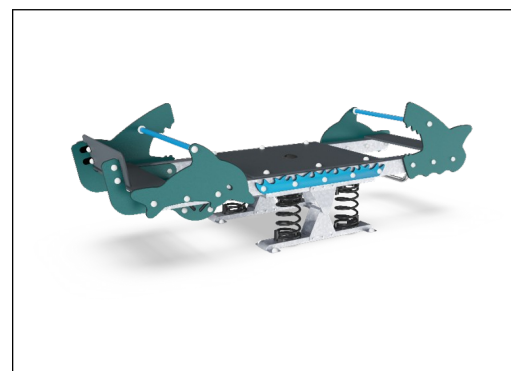
The springs are fixed by unique anti pinch fittings for maximum safety and long lifetime.



The steel support posts are hot dip galvanised inside and outside with lead free zinc. The galvanisation has excellent corrosion resistance in outside environments and requires low maintenance.



Platform and seats are made of HPL with a thickness of 17,8mm with a very high wearing strength and a unique KOMPAN nonskid surface texture.



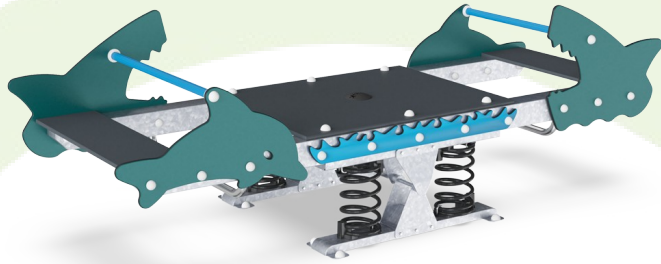
KOMPAN GreenLine versions are designed with ultimate environmentally friendly materials with lowest possible CO2e emission factor such as EcoCore™ panels of +95% post consumer recycled ocean waste.

Item no. M18775-01P	
Installation Information	
Max. fall height	100 cm
Safety surfacing area	18.0 m <sup>2</sup>
Total installation time	7.9
Excavation volume	0.15 m <sup>3</sup>
Concrete volume	0.00 m <sup>3</sup>
Footing depth (standard)	42 cm
Shipment weight	290 kg
Anchoring options	In-ground ✓ Surface ✓



# Sustainability Data

M187



Cradle to Gate A1-A3	Total CO <sub>2</sub> emission	CO <sub>2</sub> e/kg	Recycled materials
	kg CO <sub>2</sub> e	kg CO <sub>2</sub> e/kg	%
<b>M18775-01P</b>	590.30	2.44	40.80

The overall framework applied for these factors is the Environmental Product Declaration (EPD), which quantifies "environmental information on the life cycle of a product and enable comparisons between products fulfilling the same function" (ISO, 2006). This follows the structure and applies a Life-Cycle Assessment approach to the entire Product stage from raw material through manufacturing (A1-A3))

**Kompan A/S**  
 C.F. Tietgens Boulevard 32C  
 DK-5220 Odense SØ  
 Denmark



## Verification of CO<sub>2</sub> calculation of: Freestanding play equipment



Data version no. 2023-10-05

The CO<sub>2</sub> calculation and data are in compliance with the principles of a carbon footprint impact according to the GHG protocol (Greenhouse Gas Protocol), Scope 3, cradle to gate related to all individual components in the product category: "Freestanding play equipment" represented by item no.: GXY916012-3417.

(Scope 3 emissions include emission sources in the upstream and downstream value chain).

**Date: 30. October 2023 | Valid until: 30. October 2025**

Verified by:

Julie Marie Vejsgaard Larsen, LCA & EPD Consultant

Verification based on report: Validation of CO<sub>2</sub> calculation of 9 categories of Kompan product line, version 1.0, prepared by: Bureau Veritas HSE, Denmark: Julie M. V. Larsen.

**Publication date: 30. October 2023**

By Bureau Veritas HSE  
 www.bureauveritas.dk  
 +45 7731 1000

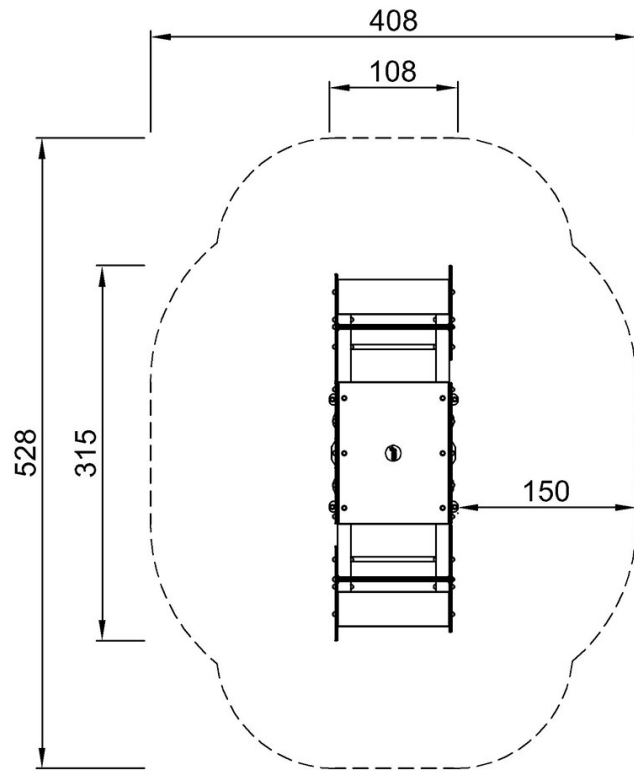


# Ocean Multi Seesaw

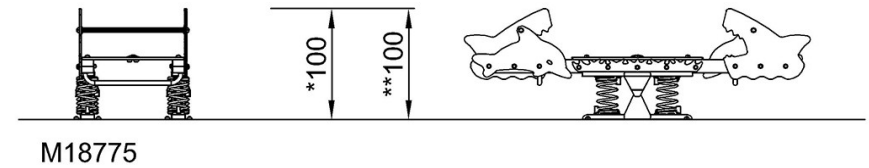
M187

\* Max fall height | \*\* Total height | \*\*\* Safety surfacing area

\* Max fall height | \*\* Total height



M18775  
\*100cm  
\*\*100cm  
\*\*\*18m<sup>2</sup>



[Click to see TOP VIEW](#)

[Click to see SIDE VIEW](#)