

# Talk & Tumble

PCM000321



Item no. PCM000321-0601	
General Product Information	
Dimensions LxWxH	7'6"x4'2"x3'3"
Age group	6m - 4
Play capacity (users)	8
Color options	<span style="color: red;">●</span> <span style="color: teal;">●</span>



The Talk & Tumble is loaded with WOW play activities for younger children. It will stimulate their play physically, socially, cognitively, and in creative ways. The scale is designed to suit early years children. The door opening makes the panel a space creator, that inspires movement and an understanding of play from different angles. It inspires exploration and

social play. The many tactile elements can be reached from both sides. This stimulates taking turns and cooperation. It supports the emerging theory of mind in the young child: that others may have other intentions than oneself. The sand scoop panel supports this. The scoops fit small hands when sand or other natural objects are part of creative play. The bench is a great

place for a rest and to make friends. It also adds the opportunity of standing and reaching the movable apple in the tree.



# Talk & Tumble

PCM000321



## Binoculars

**Cognitive:** the binoculars set a tangible theme and so spur dramatic play. Dramatic play is great for developing language and communication skills. **Creative:** the binoculars can be turned in all directions. Looking through them gives a new perspective on the world.



## Desk

**Social-Emotional:** fine meeting place and a space creator. Sharing and cooperation from both sides create a social scenario that supports communication and cooperation.



## Megaphone

**Social-Emotional:** inspires communication and turn-taking skills. **Cognitive:** distortion of sound evokes curiosity and stimulates an understanding of cause and effect.



## Two sides

**Social-Emotional:** invites cooperation and communication. The low height and the transparency of the panel makes interaction possible between the two sides.



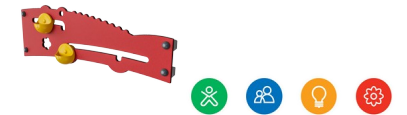
## Keyhole flap

**Social-Emotional:** can be played from both sides, encouraging cooperation. **Cognitive:** tactile variation helps children to understand the characteristics of different materials and their uses. cause and effect understanding when bending rubber flaps.



## Door opening

**Physical:** encourages running or crawling through, stimulating cross coordination and spatial awareness.



## Sand scoops

**Physical:** hand eye coordination and push-pull movements. **Social-Emotional:** invites cooperation with two sides and provides for parallel play. **Cognitive:** logical thinking: cause and effect understanding when running scoops in grooves or shifting materials from scoop to scoop. **Creative:** shifting scoops, creating new scoop positions.

# Talk & Tumble

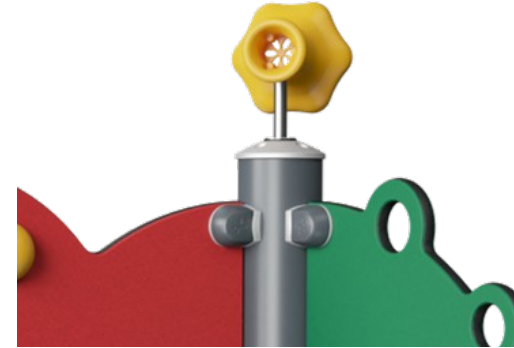
PCM000321



Panels of 19mm EcoCore™. EcoCore™ is a highly durable, eco friendly material, which is not only recyclable after use, but also consists of a core produced from 100% recycled material.



Main posts with hot-dip galvanized steel footing are available in different materials: Pressure impregnated pinewood posts. Pre-galvanized inside and outside with powder-coated top finish steel posts. Lead-free aluminum with color anodized top finish. Greenline TexMade posts of 100% post-consumer recycled PE and textile waste.

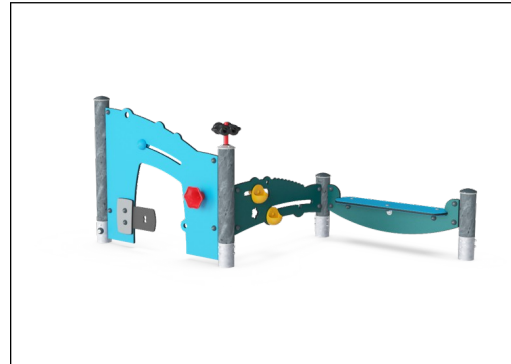


Play activities like the Megaphone are made of injection molded high quality nylon (PA6). PA6 has good wearing and impact strength and is UV stabilized.

Item no. PCM000321-0601	
Installation Information	
Max. fall height	0'0"
Safety surfacing area	0ft²
Total installation time	5.1
Excavation volume	0.13yd³
Concrete volume	0yd³
Footing depth (standard)	2'0"
Shipment weight	159lbs
Anchoring options	In-ground ✓ Surface ✓
Warranty Information	
EcoCore HDPE	Lifetime
Post	10 Years
Spare Parts Availability	10 Years



Key flap membrane consist of friction-proof rubberized material of conveyor belt quality with excellent UV resistance. Embedded is a four-layered armoring made of woven polyester. The armoring and the two surface layers result in a total thickness of 9 mm.



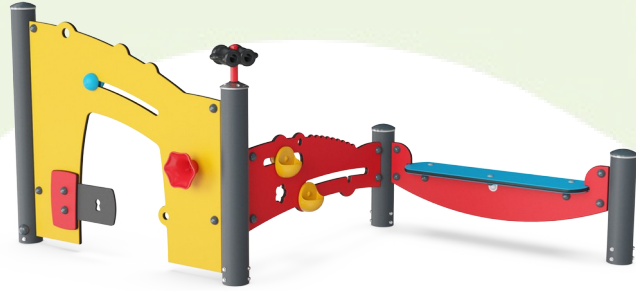
KOMPAN GreenLine versions are designed with the most environmentally friendly materials with the lowest possible CO2e emission factor such as EcoCore™ panels of 100% post-consumer recycled ocean waste.

Elevated activities 0	Accessible elevated activities	Accessible ground level activities	Accessible ground level play types
Present	0	4	3
Required	0	4	3

**ASTM F1487**  
compliant

# Sustainability Data

PCM000321



Cradle to Gate A1-A3	Total CO <sub>2</sub> emission	CO <sub>2</sub> e/kg	Recycled materials
	kg CO <sub>2</sub> e	kg CO <sub>2</sub> e/kg	%
<b>PCM000321-0650</b>	103.54	1.68	76.41
<b>PCM000321-0601</b>	144.38	2.64	60.49

The overall framework applied for these factors is the Environmental Product Declaration (EPD), which quantifies "environmental information on the life cycle of a product and enable comparisons between products fulfilling the same function" (ISO, 2006). This follows the structure and applies a Life-Cycle Assessment approach to the entire Product stage from raw material through manufacturing (A1-A3))

**Kompan A/S**  
C.F. Tietgens Boulevard 32C  
DK-5220 Odense SØ  
Denmark



## Verification of CO<sub>2</sub> calculation of: Themed play systems



Data version no. 2023-10-05

The CO<sub>2</sub> calculation and data are in compliance with the principles of a carbon footprint impact according to the GHG protocol (Greenhouse Gas Protocol), Scope 3, cradle to gate related to all individual components in the product category: "Themed play systems" represented by item no.: MSC641100-3717P.

(Scope 3 emissions include emission sources in the upstream and downstream value chain).

**Date: 30. October 2023 | Valid until: 30. October 2025**

Verified by:

Julie Marie Vejsgaard Larsen, LCA & EPD Consultant

Verification based on report: Validation of CO<sub>2</sub> calculation of 9 categories of Kompan product line, version 1.0, prepared by: Bureau Veritas HSE, Denmark: Julie M. V. Larsen.

**Publication date: 30. October 2023**

By Bureau Veritas HSE  
www.bureauveritas.dk  
+45 7731 1000

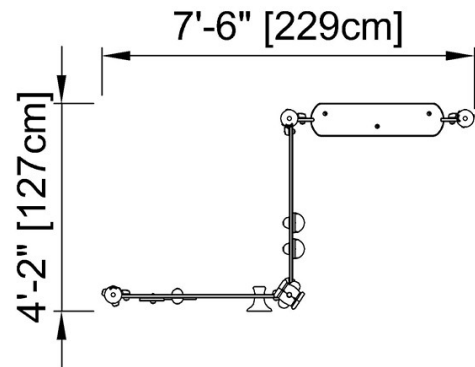


# Talk & Tumble

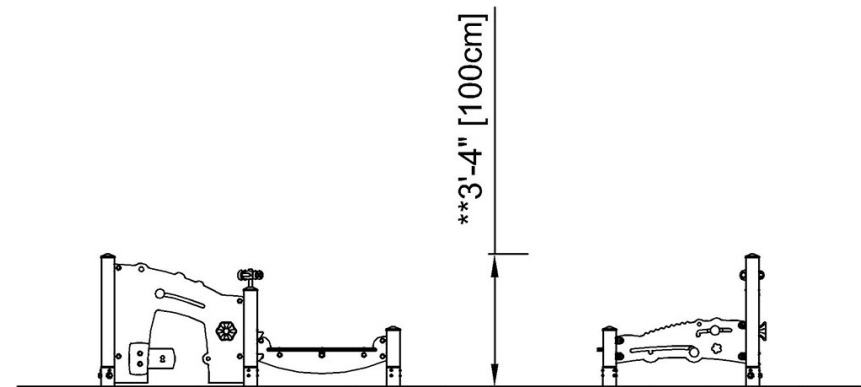
PCM000321

\* Max fall height | \*\* Total height | \*\*\* Safety surfacing area

\* Max fall height | \*\* Total height



PCM000321  
\*\* 3'-4" / 100cm



PCM000321

[Click to see TOP VIEW](#)

[Click to see SIDE VIEW](#)