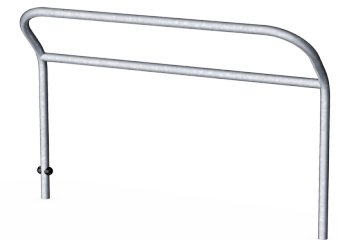


Sit & Stand

FRE3054



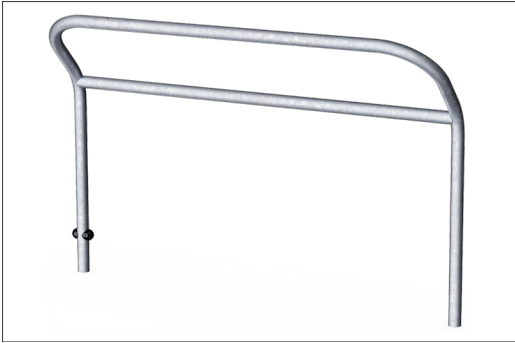
Item no. FRE3054-3717	
General Product Information	
Dimensions LxWxH	0'0"x0'0"x3'7"
Age group	3+
Play capacity (users)	-
Color options	●



Welcome to the game! The Sit & Stand frame is an easy meeting point that can be installed in parks or close to multi-sport fields. The frames are available in galvanized or colored versions.

Sit & Stand

FRE3054



The steel surfaces are hot-dip galvanized inside and outside with lead-free zinc. The galvanization has excellent corrosion resistance in outside environments and requires minimal maintenance.

Item no. FRE3054-3717

Installation Information

Max. fall height	0'0"
Safety surfacing area	0ft ²
Total installation time	0.8
Excavation volume	0.14yd ³
Concrete volume	0.05yd ³
Footing depth (standard)	2'11"
Shipment weight	64lbs
Anchoring options	In-ground ✓

Warranty Information

HDG post	Lifetime
Spare Parts Availability	10 Years

Sustainability Data

FRE3054



Cradle to Gate A1-A3	Total CO ₂ emission	CO ₂ e/kg	Recycled materials
	kg CO ₂ e	kg CO ₂ e/kg	%
FRE3054-3717	91.76	3.14	45.75

The overall framework applied for these factors is the Environmental Product Declaration (EPD), which quantifies "environmental information on the life cycle of a product and enable comparisons between products fulfilling the same function" (ISO, 2006). This follows the structure and applies a Life-Cycle Assessment approach to the entire Product stage from raw material through manufacturing (A1-A3))

Kompan A/S
 C.F. Tietgens Boulevard 32C
 DK-5220 Odense SØ
 Denmark



Verification of CO₂ calculation of: Sport



Data version no. 2023-10-05

The CO₂ calculation and data are in compliance with the principles of a carbon footprint impact according to the GHG protocol (Greenhouse Gas Protocol), Scope 3, cradle to gate related to all individual components in the product category: "Sport" represented by item no.: FRE600202-0901.

(Scope 3 emissions include emission sources in the upstream and downstream value chain).

Date: 30. October 2023 | Valid until: 30. October 2025

Verified by:

Julie Marie Vejsgaard Larsen, LCA & EPD Consultant

Verification based on report: Validation of CO₂ calculation of 9 categories of Kompan product line, version 1.0, prepared by: Bureau Veritas HSE, Denmark: Julie M. V. Larsen.

Publication date: 30. October 2023

By Bureau Veritas HSE
 www.bureauveritas.dk
 +45 7731 1000

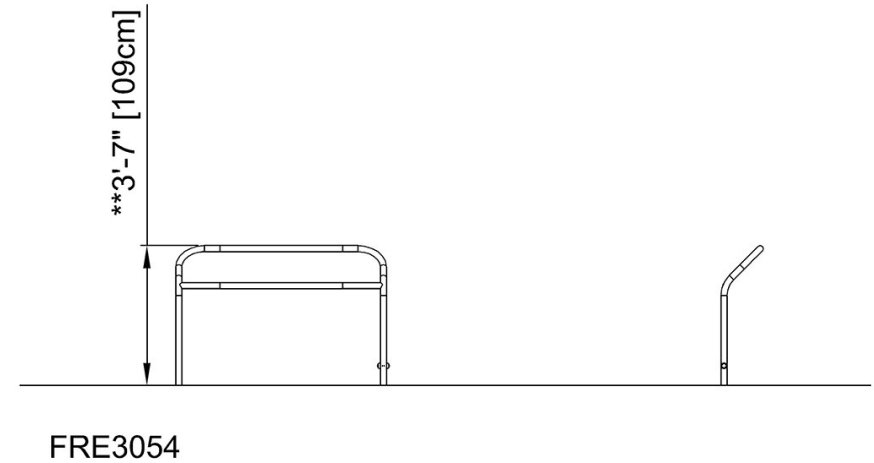
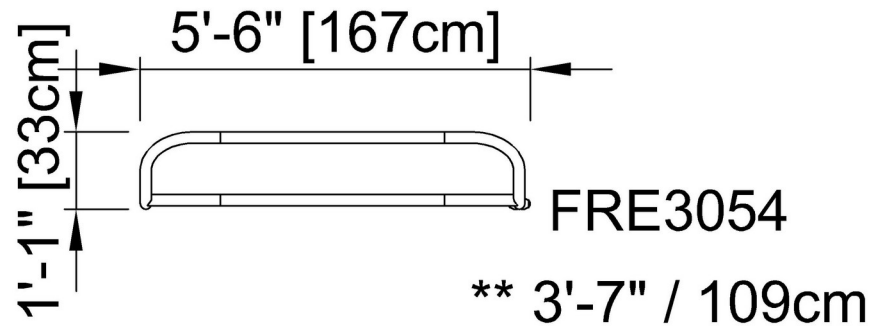


Sit & Stand

FRE3054

* Max fall height | ** Total height | *** Safety surfacing area

* Max fall height | ** Total height



[Click to see TOP VIEW](#)

[Click to see SIDE VIEW](#)