


Surprise Basket

FRE3024



Item no. FRE3024-3717

General Product Information

Dimensions LxWxH	102x102x305 cm
Age group	3+
Play capacity (users)	-
Color options	



Ball games are unpredictable. Kids like that a lot. You never know if you going to win or lose. The elevated funnel with three tube exits for the basket ball is a popular ball game activity that works well with both few or many participants. Further it trains the ability to lift and throw a ball up into the funnel.



Surprise Basket

FRE3024

Item no. FRE3024-3717

Installation Information

Max. fall height	0 cm
Safety surfacing area	12.7 m ²
Total installation time	1.0
Excavation volume	0.23 m ³
Concrete volume	0.13 m ³
Footing depth (standard)	91 cm
Shipment weight	58 kg
Anchoring options	In-ground ✓



Sustainability Data

FRE3024



Cradle to Gate A1-A3	Total CO ₂ emission	CO ₂ e/kg	Recycled materials
	kg CO ₂ e	kg CO ₂ e/kg	%
FRE3024-3717	129.90	2.30	28.60

The overall framework applied for these factors is the Environmental Product Declaration (EPD), which quantifies "environmental information on the life cycle of a product and enable comparisons between products fulfilling the same function" (ISO, 2006). This follows the structure and applies a Life-Cycle Assessment approach to the entire Product stage from raw material through manufacturing (A1-A3))

Kompan A/S
 C.F. Tietgens Boulevard 32C
 DK-5220 Odense SØ
 Denmark



Verification of CO₂ calculation of: Sport



Data version no. 2023-10-05

The CO₂ calculation and data are in compliance with the principles of a carbon footprint impact according to the GHG protocol (Greenhouse Gas Protocol), Scope 3, cradle to gate related to all individual components in the product category: "Sport" represented by item no.: FRE600202-0901.

(Scope 3 emissions include emission sources in the upstream and downstream value chain).

Date: 30. October 2023 | Valid until: 30. October 2025

Verified by:

Julie Marie Vejsgaard Larsen, LCA & EPD Consultant

Verification based on report: Validation of CO₂ calculation of 9 categories of Kompan product line, version 1.0, prepared by: Bureau Veritas HSE, Denmark: Julie M. V. Larsen.

Publication date: 30. October 2023

By Bureau Veritas HSE
 www.bureauveritas.dk
 +45 7731 1000

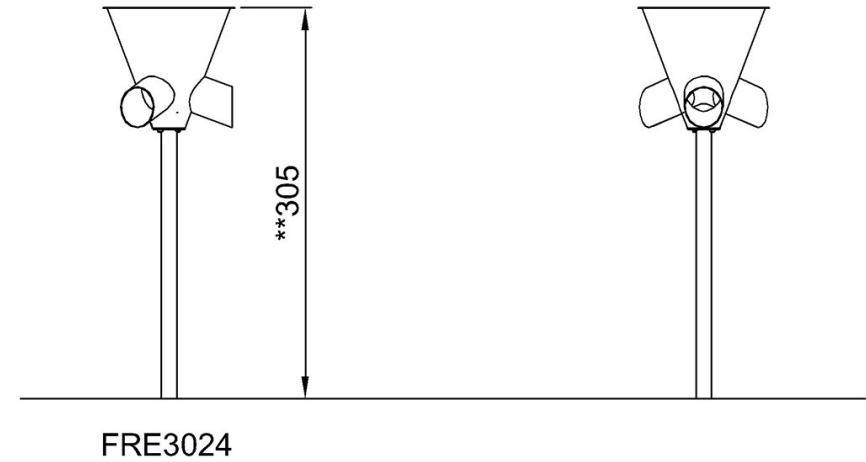
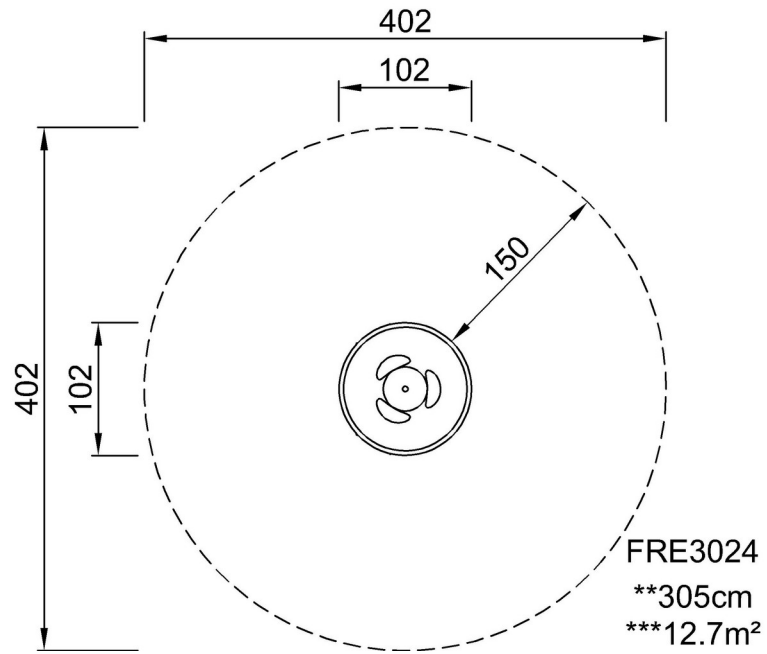


Surprise Basket

FRE3024

* Max fall height | ** Total height | *** Safety surfacing area

* Max fall height | ** Total height



[Click to see TOP VIEW](#)

[Click to see SIDE VIEW](#)