
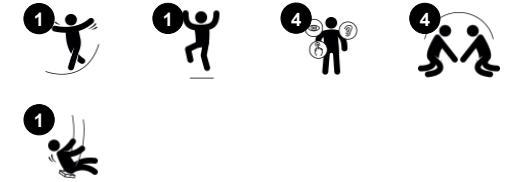


Cocowave Pendulum Swing

M984



Item no. M98401-1011	
General Product Information	
Dimensions LxWxH	620x270x363 cm
Age group	6+
Play capacity (users)	8
Color options	



The size and appearance of the Cocowave Pendulum Swing is an irresistible invitation for all children to play. With its robust, oblong coconut rope, the Cocowave Pendulum Swing allows for swinging from a seated, lying or standing position. The thrill of swinging – mildly or wildly – is for bigger groups, of different sizes, ages and physical abilities. It takes

teamwork to make the swing move, and this stimulates important social-motional skills. Apart from being fun, swinging on the Cocowave swing also trains muscles and important motor skills, such as balance, coordination and sense of space. These are important to train vestibular skills that matter profoundly for e.g. navigating traffic safely. The tickling,

challenging feeling of speed and height stimulates children's self-esteem, risk management and other important social-emotional life skills.



Cocowave Pendulum Swing

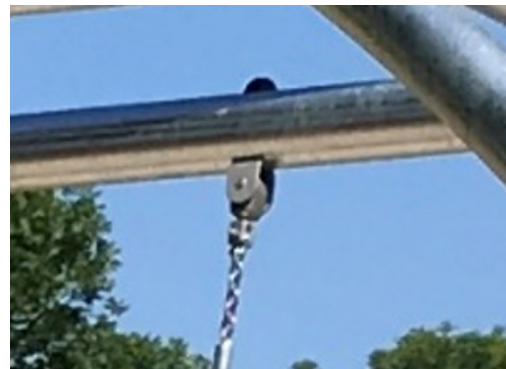
M984



The steel pipes are hot dip galvanised inside and outside with lead free zinc. The galvanisation has excellent corrosion resistance in outside environments and requires low maintenance.



Powder coated top finish on top of galvanisation is processed in two steps: Light grinding and clean sweeping, powder coating - thickness 70-120 µm.



Unique designed swing hangers of stainless steel with anti-twist function. The hangers are attached to the cross beam by a bolt through connection to ensure high durability.

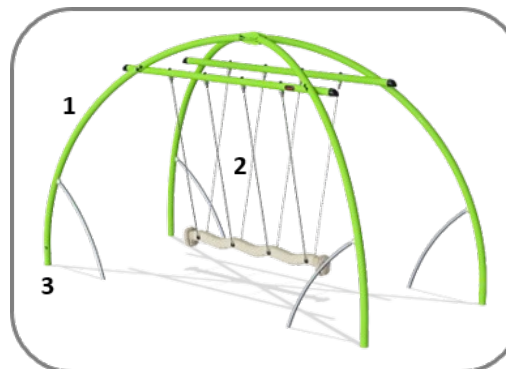
Item no. M98401-1011	
Installation Information	
Max. fall height	179 cm
Safety surfacing area	22.9 m ²
Total installation time	9.6
Excavation volume	2.08 m ³
Concrete volume	1.12 m ³
Footing depth (standard)	100 cm
Shipment weight	620 kg
Anchoring options	In-ground ✓ Surface ✓



The rope of the pendulum swing is made of polypropylene (PP) rope in Coconut style with a square shape of 14x14cm. The ends of the Coconut rope are closed by a steel clamps and sealed by a glued-on shrinkable tubing. The last 10cm of the rope ends are cut open to make a tassel with bumper function to fulfill global safety requirements.



The chain/ropes are attached to the Coconut rope by KOMPAN swivel bushings made of stainless steel with bronze bearings. The swivels have an outside cover of black PUR. The usage of side mounted swivels provides frictionless movement, eliminates fingers and feet entrapments and enlarges the standing surface on top of the rope.



The Cocowave pendulum swing is available in multiple options: Galvanised steel with optional powder coated top finish in lime green colour, Rope or stainless steel chain suspensions, In-ground or surface anchoring.



Sustainability Data

M984



Cradle to Gate A1-A3	Total CO ₂ emission	CO ₂ e/kg	Recycled materials
	kg CO ₂ e	kg CO ₂ e/kg	%
M98401-1011	1,247.10	3.19	43.30

The overall framework applied for these factors is the Environmental Product Declaration (EPD), which quantifies "environmental information on the life cycle of a product and enable comparisons between products fulfilling the same function" (ISO, 2006). This follows the structure and applies a Life-Cycle Assessment approach to the entire Product stage from raw material through manufacturing (A1-A3))

Kompan A/S
 C.F. Tietgens Boulevard 32C
 DK-5220 Odense SØ
 Denmark



Verification of CO₂ calculation of: Freestanding play equipment



Data version no. 2023-10-05

The CO₂ calculation and data are in compliance with the principles of a carbon footprint impact according to the GHG protocol (Greenhouse Gas Protocol), Scope 3, cradle to gate related to all individual components in the product category: "Freestanding play equipment" represented by item no.: KSW92011-0910.

(Scope 3 emissions include emission sources in the upstream and downstream value chain).

Date: 30. October 2023 | Valid until: 30. October 2025

Verified by:

Julie Marie Vejsgaard Larsen, LCA & EPD Consultant

Verification based on report: Validation of CO₂ calculation of 9 categories of Kompan product line, version 1.0, prepared by: Bureau Veritas HSE, Denmark: Julie M. V. Larsen.

Publication date: 30. October 2023

By Bureau Veritas HSE
 www.bureauveritas.dk
 +45 7731 1000

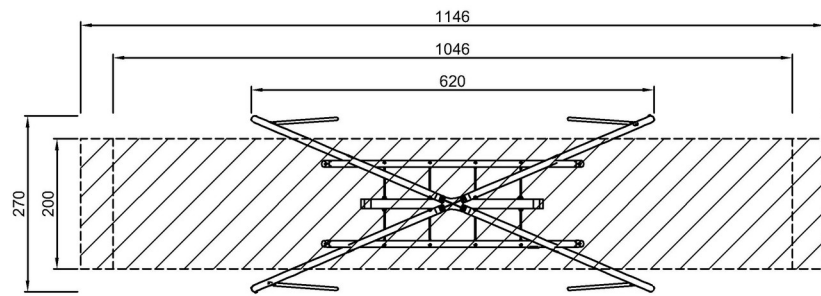


Cocowave Pendulum Swing

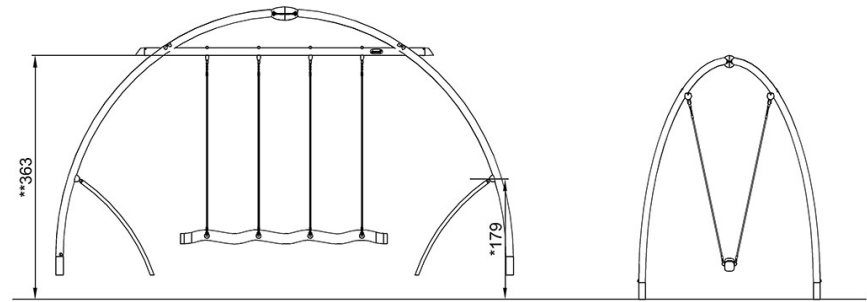
M984

* Max fall height | ** Total height | *** Safety surfacing area

* Max fall height | ** Total height



M98401
*179cm
**363cm
***22.9m²



M98401

[Click to see TOP VIEW](#)

[Click to see SIDE VIEW](#)