

Tree Top Walk

COR10470

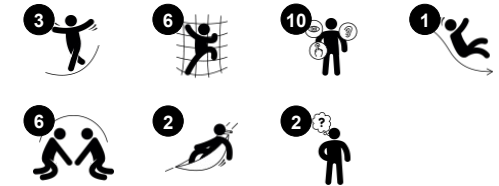
KOMPANI
Let's play



Item no. COR104701-1204

General Product Information

Dimensions LxWxH	1365x1457x839 cm
Age group	5+
Play capacity (users)	25
Colour options	



The amazing Tree Top Walk is an awe-inspiring play attraction for children and parents alike. The climbs, wobbly walk up high and not least, the thrilling slide down is popular for all. The view from up high adds spatial awareness and thanks to the transparent nets, interaction with peers or parents on the ground is possible. The exciting climbs, balancing acts and slide rides

stimulate children's cross-coordination skills, balance and spatial awareness as well as provide huge amounts of fun. These motor skills are all important for future life skills such as navigating traffic securely and judging distances. Climbing this high is a great exercise for major muscle groups and the repeated climb up and slide down keeps

children active. The spectacular Tree Top Walk allows great views over the park and playground, and play thrills for the family.

Tree Top Walk

COR10470



Sky cabin

Physical: being up high develops spatial awareness and sense of balance. **Social-Emotional:** a destination and meeting point up high adds social interaction as well as a thrill with great views.



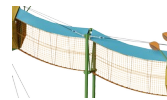
Access tunnel net

Physical: the children have a fast, efficient access up the horizontal net. Cross coordination and sense of space is supported, as well as arm and leg muscles. **Social-Emotional:** the two-sided net on lower level allows for social interaction. The spaciousness invites socialising.



Long tube slide

Physical: sliding develops spatial awareness and the sense of balance. **Social-Emotional:** height ensures extra speed and thrill. Stimulates empathy by turn-taking and consideration of others.



Sky bridge

Physical: being up high and the bounce of the ropes develop the sense of space and balance, which is fundamental in navigating the world securely. **Social-Emotional:** children develop courage, self-confidence, consideration and turn-taking. Passing other children takes co-operation and teaches turn-taking skills.



Boarding net

Physical: the inclined net supports the upward climbing movement of the body. Cross coordination and physical strength are trained. The asymmetry of the net challenges the children's climbing.

Tree Top Walk

COR10470



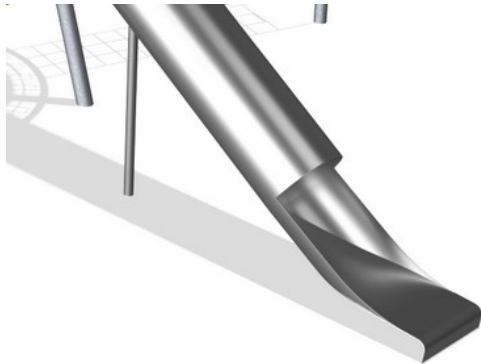
Corocord ropes with 19mm+ diameter are known as a 'Hercules' rope type which is formed from galvanised six-stranded steel wires. Each strand is tightly wrapped with PES yarn, which is melted onto each individual strand. Ropes are highly wear-and vandalism-resistant and can be easily replaced on-site if needed.



Designed to allow the typical function of rope play structures to move Corocord 'S' clamps are used as universal connections in Corocord products. 8mm stainless steel rods with rounded edges are pressed around the ropes with a special hydraulic press, making them the ideal connector. Our clamps are safe, durable and vandalism-proof.



Corocord membranes consist of friction-proof rubberised material of conveyor belt quality with excellent UV resistance. Tested and compliant with REACH requirements for PAH. Embedded is a four-layered armouring made of woven polyester. The armouring and the two surface layers result in a total thickness of 7.5 mm.



The stainless steel components are made of high-quality stainless steel in compliance with global playground standards. The steel is glass blasted after manufacturing to ensure a smooth gliding surface.

Item no. COR104701-1204	
Installation Information	
Max. fall height	300 cm
Safety surfacing area	50.5 m ²
Total installation time	114.4
Excavation volume	27.96 m ³
Concrete volume	18.03 m ³
Footing depth (standard)	120 cm
Shipment weight	8,397 kg
Anchoring options	In-ground ✓
Warranty Information	
Aluminium Clamps	10 years
Corocord (Hercules) Rope	10 years
Membrane	2 years
S-Clamps	10 years
Spare Parts Guarantee	10 years

AS
4685
compliant

Sustainability Data

COR10470



Cradle to Gate A1-A3	Total CO ₂ emission	CO ₂ e/kg	Recycled materials
	kg CO ₂ e	kg CO ₂ e/kg	%
COR104701-1204	14,275.90	2.36	39.92

The overall framework applied for these factors is the Environmental Product Declaration (EPD), which quantifies "environmental information on the life cycle of a product and enable comparisons between products fulfilling the same function" (ISO, 2006). This follows the structure and applies a Life-Cycle Assessment approach to the entire Product stage from raw material through manufacturing (A1-A3))

Kompan A/S
 C.F. Tietgens Boulevard 32C
 DK-5220 Odense SØ
 Denmark



Verification of CO₂ calculation of: Corocord



Data version no. 2023-10-05

The CO₂ calculation and data are in compliance with the principles of a carbon footprint impact according to the GHG protocol (Greenhouse Gas Protocol), Scope 3, cradle to gate related to all individual components in the product category: "Corocord" represented by item no.: COR314011-1101.

(Scope 3 emissions include emission sources in the upstream and downstream value chain).

Date: 30. October 2023 | Valid until: 30. October 2025

Verified by:

Julie Marie Vejsgaard Larsen, LCA & EPD Consultant

Verification based on report: Validation of CO₂ calculation of 9 categories of Kompan product line, version 1.0, prepared by: Bureau Veritas HSE, Denmark: Julie M. V. Larsen.

Publication date: 30. October 2023

By Bureau Veritas HSE
 www.bureauveritas.dk
 +45 7731 1000

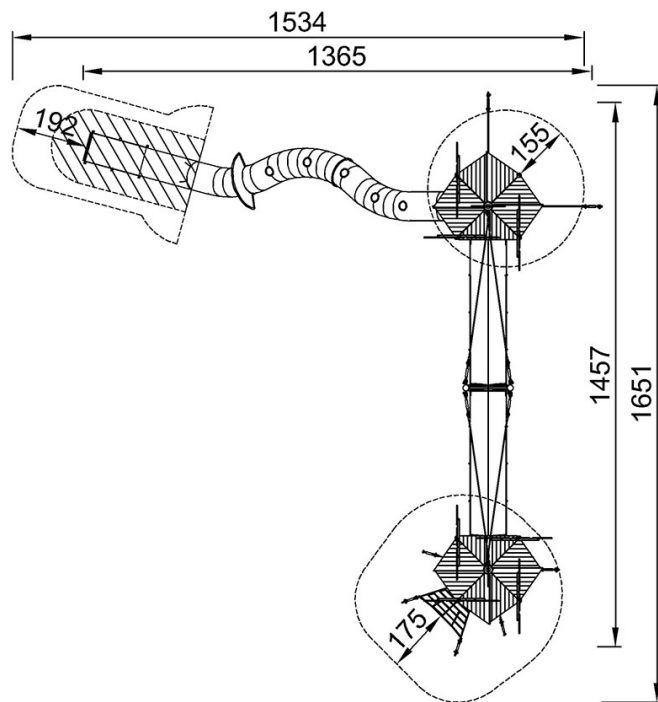


Tree Top Walk

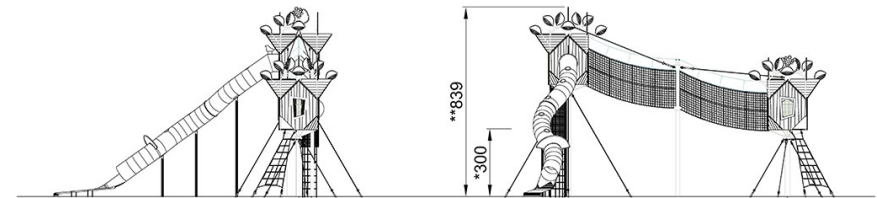
COR10470

* Max fall height | ** Total height | *** Safety surfacing area

* Max fall height | ** Total height



COR104701
*300cm
**839cm
***50.5m²



COR104701

[Click to see TOP VIEW](#)

[Click to see SIDE VIEW](#)