

# Crazy Scrambler


M130



The Crazy Scrambler has motivated joyful play for generations: with its timeless design, it attracts children again and again. The rocking sensation makes them stay and play. Apart from the joy in rocking, the responsive movement also trains the understanding of cause and effect in young children: that actions have an effect on the world. Rocking on the

Crazy Scrambler trains the child's sense of balance and space as well as hand and arm muscles when holding tight and pushing your feet hard into the foot support. All of these basic motor skills and muscle training actions help train the child's bodily cognition, supporting important life skills such as being able to sit still on a chair or navigate traffic

securely. The long seat of the Scrambler even allows two to ride together, stimulating cooperation and fostering the first friendships.

Item no. M13070-01P	
<b>General Product Information</b>	
Dimensions LxWxH	36x90x83 cm
Age group	1+
Play capacity (users)	2
Colour options	



# Crazy Scrambler

M130



## Handhold

**Physical:** opens more hold positions and ensures good grip, necessary for rocking intensely which trains hand and arm muscles.



## Theme

**Cognitive:** suggests a theme and supports dramatic play, which stimulates language and communication skills.



## Foot support

**Physical:** the footrest supports intensive rocking, simulating the senses of balance and space and supports coordination and muscle strength.



## Rocking spring

**Physical:** response to movements adds to spatial awareness and sense of balance which are fundamental motor skills.

**Cognitive:** trains the understanding of cause and effect: when I move my body, the spring responds with movement.

# Crazy Scrambler

M130



Panels of 19mm EcoCore™. EcoCore™ is a highly durable, eco-friendly material, which is not only recyclable after use but also consists of a core produced from 100% recycled material.

KOMPAN's springs are manufactured from high-quality spring steel. The springs are cleaned by phosphating before being painted with epoxy primer and polyester powder coating. The springs are fixed by unique anti-pinch fittings for maximum safety and longevity.

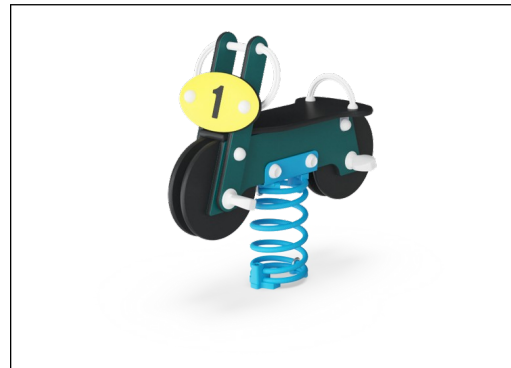
The springs are fixed by unique anti-pinch fittings for maximum safety and longevity.



Item no. M13070-01P	
Installation Information	
Max. fall height	60 cm
Safety surfacing area	7.4 m <sup>2</sup>
Total installation time	2.9
Excavation volume	0.19 m <sup>3</sup>
Concrete volume	0.00 m <sup>3</sup>
Footing depth (standard)	45 cm
Shipment weight	43 kg
Anchoring options	In-ground ✓ Surface ✓
Warranty Information	
EcoCore HDPE	Lifetime
Galvanised Steel	Lifetime
Spare Parts Guarantee	10 years
Springs	5 years



Rock wall handholds are made of pressure moulded high-quality nylon (PA6). PA6 has good wearing and impact strength.

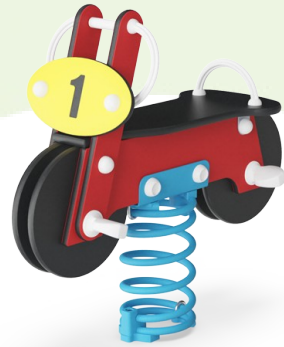


KOMPAN GreenLine versions are designed with ultimate environmentally friendly materials with the lowest possible CO2e emission factor such as EcoCore™ panels of 100% post consumer recycled ocean waste.



# Sustainability Data

M130



Cradle to Gate A1-A3	Total CO <sub>2</sub> emission	CO <sub>2</sub> e/kg	Recycled materials
	kg CO <sub>2</sub> e	kg CO <sub>2</sub> e/kg	%
<b>M13070-01P</b>	75.40	1.98	62.98

The overall framework applied for these factors is the Environmental Product Declaration (EPD), which quantifies "environmental information on the life cycle of a product and enable comparisons between products fulfilling the same function" (ISO, 2006). This follows the structure and applies a Life-Cycle Assessment approach to the entire Product stage from raw material through manufacturing (A1-A3))

**Kompan A/S**  
 C.F. Tietgens Boulevard 32C  
 DK-5220 Odense SØ  
 Denmark



## Verification of CO<sub>2</sub> calculation of: Freestanding play equipment



Data version no. 2023-10-05

The CO<sub>2</sub> calculation and data are in compliance with the principles of a carbon footprint impact according to the GHG protocol (Greenhouse Gas Protocol), Scope 3, cradle to gate related to all individual components in the product category: "Freestanding play equipment" represented by item no.: GXY916012-3417.

(Scope 3 emissions include emission sources in the upstream and downstream value chain).

**Date: 30. October 2023 | Valid until: 30. October 2025**

**Verified by:**

Julie Marie Vejsgaard Larsen, LCA & EPD Consultant

Verification based on report: Validation of CO<sub>2</sub> calculation of 9 categories of Kompan product line, version 1.0, prepared by: Bureau Veritas HSE, Denmark: Julie M. V. Larsen.

**Publication date: 30. October 2023**

**By Bureau Veritas HSE**  
 www.bureauveritas.dk  
 +45 7731 1000

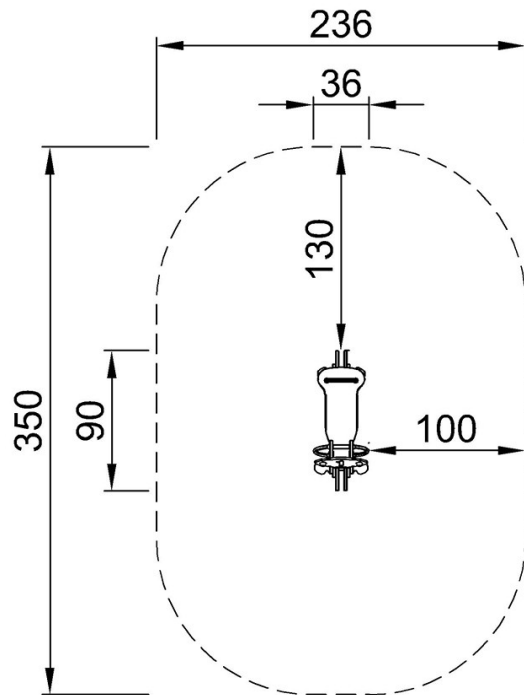


# Crazy Scrambler

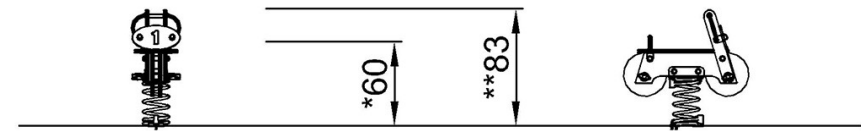
M130

\* Max fall height | \*\* Total height | \*\*\* Safety surfacing area

\* Max fall height | \*\* Total height



M13071  
\*60cm  
\*\*83cm  
\*\*\*7.4m<sup>2</sup>



M13071

[Click to see TOP VIEW](#)

[Click to see SIDE VIEW](#)