

Crawling Pyramid

NRO826



Item no. NRO826-0801

General Product Information

Dimensions LxWxH	399x405x149 cm
Age group	4+
Play capacity (users)	6
Color options	 



The Crawling Pyramid is a hit with children. The hap-hazardly placed beams is a magnet for their eagerness to climb and explore the unit. The inclined and horizontal beams invite a number of classic playground games, all centered around balancing such as The Ground is Lava or tag. With its inclined layout, the Crawling Pyramid constantly challenges the

sense of balance in children. The sense of balance is fundamental for all other senses. It makes it possible to run, to sit still, concentrate and learn, but it also gives children the confidence that they can manage the world and adjust, when they are at the edge of losing balance. The many horizontal beams of the Crawling Pyramid invites a break and

socializing. This is important for children's social-emotional skills and forming friendships.



Crawling Pyramid

NRO826



All Organic Robinia products by KOMPAN are made of Robinia wood from sustainable European sources. On request it can be supplied as FSC® Certified (FSC® C004450).



The Robinia wood can be supplied as untreated raw wood or painted with a brown coloured transparent pigment that maintains the golden wood colour of the wood.

Item no. NRO826-0801

Installation Information

Max. fall height	70 cm
Safety surfacing area	41.9 m ²
Total installation time	8.7
Excavation volume	0.79 m ³
Concrete volume	0.02 m ³
Footing depth (standard)	82 cm
Shipment weight	490 kg
Anchoring options	In-ground ✓



Sustainability Data

NRO826



Cradle to Gate A1-A3	Total CO ₂ emission	CO ₂ e/kg	Recycled materials
	kg CO ₂ e	kg CO ₂ e/kg	%
NRO826-0801	94.40	0.26	3.10

The overall framework applied for these factors is the Environmental Product Declaration (EPD), which quantifies "environmental information on the life cycle of a product and enable comparisons between products fulfilling the same function" (ISO, 2006). This follows the structure and applies a Life-Cycle Assessment approach to the entire Product stage from raw material through manufacturing (A1-A3))

Kompan A/S
 C.F. Tietgens Boulevard 32C
 DK-5220 Odense SØ
 Denmark



Verification of CO₂ calculation of: Nature play



Data version no. 2023-10-05

The CO₂ calculation and data are in compliance with the principles of a carbon footprint impact according to the GHG protocol (Greenhouse Gas Protocol), Scope 3, cradle to gate related to all individual components in the product category: "Nature play" represented by item no.: NRO409-0621.

(Scope 3 emissions include emission sources in the upstream and downstream value chain).

Date: 30. October 2023 | Valid until: 30. October 2025

Verified by:

Julie Marie Vejsgaard Larsen, LCA & EPD Consultant

Verification based on report: Validation of CO₂ calculation of 9 categories of Kompan product line, version 1.0, prepared by: Bureau Veritas HSE, Denmark: Julie M. V. Larsen.

Publication date: 30. October 2023

By Bureau Veritas HSE
 www.bureauveritas.dk
 +45 7731 1000

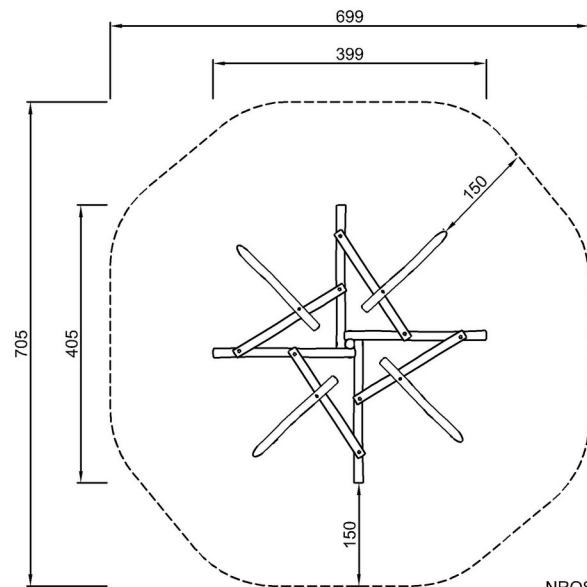


Crawling Pyramid

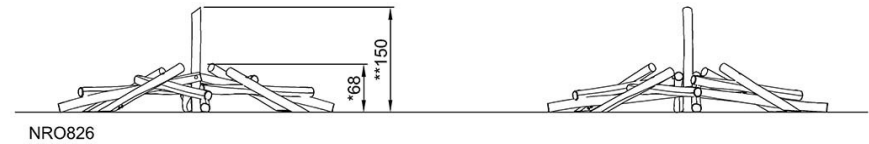
NRO826

* Max fall height | ** Total height | *** Safety surfacing area

* Max fall height | ** Total height



NRO826
*70cm
**149cm
***41.9m²



[Click to see TOP VIEW](#)

[Click to see SIDE VIEW](#)