



Water Seesaw

NRO504



Item no. NRO504-0601	
General Product Information	
Dimensions LxWxH	230x17x87 cm
Age group	2+
Play capacity (users)	2
Colour options	 



The water seesaw will fascinate children and invite hours and hours of construction play. The water seesaw is a fine transporter of water and sand, leading materials from one end to the other when inclined. This trains children's construction play skills as well as their logical thinking. Adding transportation of materials to sand-and-water play was always an attraction.

Here, having the possibility to shift materials through the long tube, children will be able to play in bigger groups together. This trains cooperation, negotiation and turn-taking skills. These are all social skills that are hard to teach, but easy to learn in play.



Water Seesaw

NRO504



Tilted water channel

Social-Emotional: children cooperate, communicate and take turns when running water through the channel. **Cognitive:** supports logical thinking and cause and effect understanding when leading materials from one end to the other. **Creative:** changing the position of the channel, making it tilt to one or the other side.



Water Seesaw

NRO504



All Organic Robinia products by KOMPAN are made of Robinia wood from sustainable European sources. On request it can be supplied as FSC® Certified (FSC® C004450).



The hardware is made of stainless steel or galvanised steel to ensure durable connections with a high corrosion resistance.



Robinia products are available in three different wood treatment options: Untreated Robinia wood or brown painted with a pigment that maintains the wood colour and coloured version with paint of selected components.

Item no. NRO504-0601

Installation Information

Max. fall height	0 cm
Safety surfacing area	14.9 m ²
Total installation time	2.3
Excavation volume	0.04 m ³
Concrete volume	0.00 m ³
Footing depth (standard)	60 cm
Shipment weight	71 kg
Anchoring options	In-ground ✓

Warranty Information

Hot dip galvanised steel	Lifetime
Robinia wood	15 years
Spare parts guaranteed	10 years



Sustainability Data

NRO504



Cradle to Gate A1-A3	Total CO ₂ emission	CO ₂ e/kg	Recycled materials
	kg CO ₂ e	kg CO ₂ e/kg	%
NRO504-0601	18.44	0.32	5.66

The overall framework applied for these factors is the Environmental Product Declaration (EPD), which quantifies "environmental information on the life cycle of a product and enable comparisons between products fulfilling the same function" (ISO, 2006). This follows the structure and applies a Life-Cycle Assessment approach to the entire Product stage from raw material through manufacturing (A1-A3))

Kompan A/S
 C.F. Tietgens Boulevard 32C
 DK-5220 Odense SØ
 Denmark



Verification of CO₂ calculation of: Nature play



Data version no. 2023-10-05

The CO₂ calculation and data are in compliance with the principles of a carbon footprint impact according to the GHG protocol (Greenhouse Gas Protocol), Scope 3, cradle to gate related to all individual components in the product category: "Nature play" represented by item no.: NRO409-0621.

(Scope 3 emissions include emission sources in the upstream and downstream value chain).

Date: 30. October 2023 | Valid until: 30. October 2025

Verified by:

Julie Marie Vejsgaard Larsen, LCA & EPD Consultant

Verification based on report: Validation of CO₂ calculation of 9 categories of Kompan product line, version 1.0, prepared by: Bureau Veritas HSE, Denmark: Julie M. V. Larsen.

Publication date: 30. October 2023

By Bureau Veritas HSE
 www.bureauveritas.dk
 +45 7731 1000

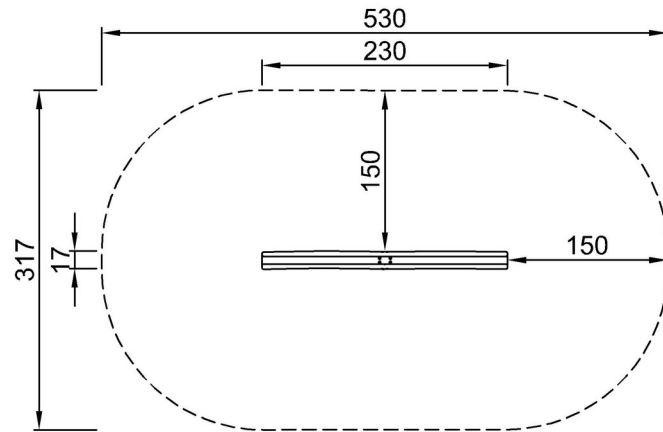


Water Seesaw

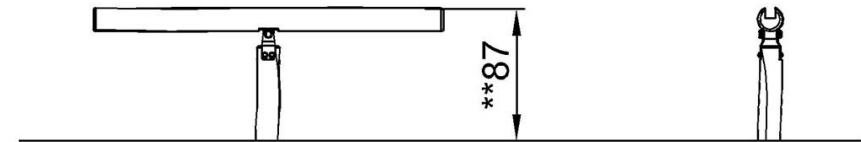
NRO504

* Max fall height | ** Total height | *** Safety surfacing area

* Max fall height | ** Total height



NRO504-xx01
*0cm
**87cm
***14.9m²



NRO504

[Click to see TOP VIEW](#)

[Click to see SIDE VIEW](#)