

# Cosmos Freestanding Minigoal

FRE2214

**KOMPANI**  
Let's play

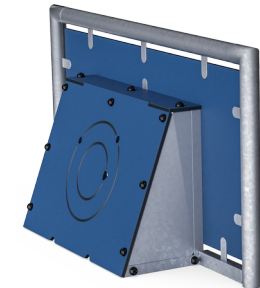


产品编号 FRE2214-3317

## 产品信息概览

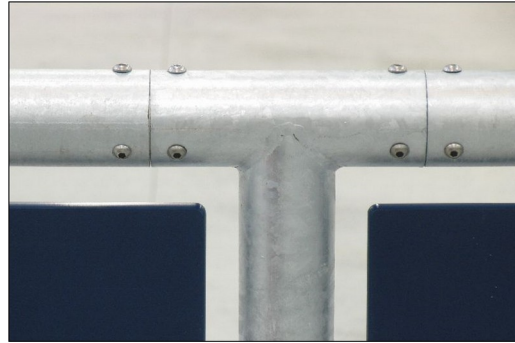
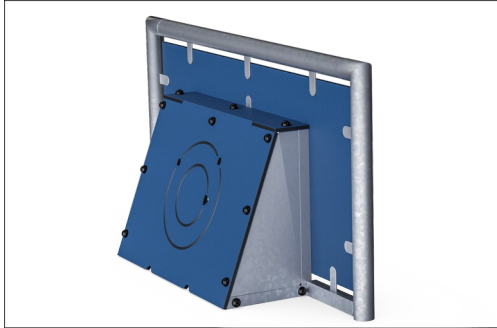
长宽高尺寸	209x48x108 cm
适用年龄段	3+
容纳人数	-
颜色选择	●

在下层隔栏中，可以加装一个迷你球门，在中央游戏区创造第二个游戏空间。迷你球门也可以单独安装。



# Cosmos Freestanding Minigoal

FRE2214



The HDPE panels are made with +95% recycled post-consumer material from e.g., food packing waste. Available in Night Sky Blue, but multiple colours can be requested. To increase the play value, you can also request HDPE panels with patterns or logos engraved.

All steel components are manufactured from carbon steel, welding's according EN ISO 5817 & Hot dip galvanised (HDG) according to ISO1461. This process ensures good protection in all circumstances.

产品编号 FRE2214-3317

## 安装信息

最大跌落高度	0 cm
安全面积	0.0 m <sup>2</sup>
安装总时长	3.9
开挖量	0.32 m <sup>3</sup>
混凝土使用量	0.31 m <sup>3</sup>
标准入地深度	50 cm
运输重量	144 kg
固定选项	入地 ✓

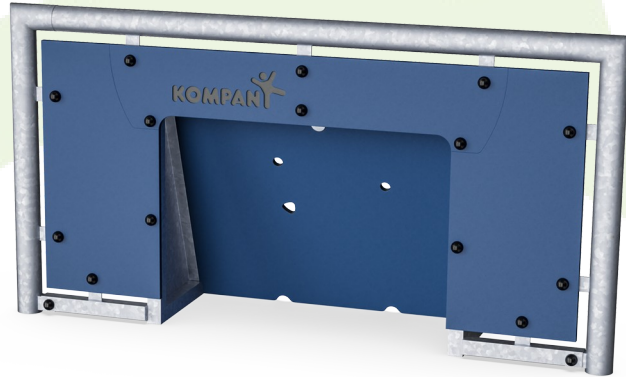
## 质保信息

EcoCore HDPE	终身质保
热镀锌立柱	终身质保
承保零部件	10 年



# Sustainability Data

FRE2214



## 从原材料到成品

CO<sub>2</sub> 排放总量

kg CO<sub>2</sub>e

CO<sub>2</sub> 排放量 / 千克

kg CO<sub>2</sub>e/kg

回收的原料

%

**FRE2214-3317**

198.24

2.09

63.26

这些因素采用的总体框架为环保产品声明 (EPD), 该声明可量化“产品生命周期的环保信息, 并对相同功能的产品进行对比” (ISO, 2006)。在遵循该框架的同时, 对从原材料到制造的整个产品阶段 (A1-A3) 应用生命周期评估法。

### Kompan A/S

C.F. Tietgens Boulevard 32C  
DK-5220 Odense SØ  
Denmark



### Verification of CO<sub>2</sub> calculation of: Sport



Data version no. 2023-10-05

The CO<sub>2</sub> calculation and data are in compliance with the principles of a carbon footprint impact according to the GHG protocol (Greenhouse Gas Protocol), Scope 3, cradle to gate related to all individual components in the product category: "Sport" represented by item no.: FRE600202-0901.

(Scope 3 emissions include emission sources in the upstream and downstream value chain).

**Date: 30. October 2023 | Valid until: 30. October 2025**

Verified by:

Julie Marie Vejsgaard Larsen, LCA & EPD Consultant

Verification based on report: Validation of CO<sub>2</sub> calculation of 9 categories of Kompan product line, version 1.0, prepared by: Bureau Veritas HSE, Denmark: Julie M. V. Larsen.

**Publication date: 30. October 2023**

By Bureau Veritas HSE  
www.bureauveritas.dk  
+45 7731 1000

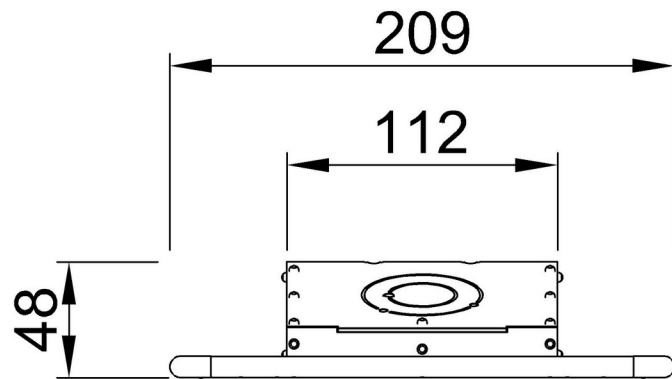


# Cosmos Freestanding Minigoal

FRE2214

最大跌落高度 | 总高度 | 安全区域

最大跌落高度 | 总高度



FRE2214  
\*\*108cm



FRE2214

[点击查看俯视图](#)

[点击查看侧面图](#)