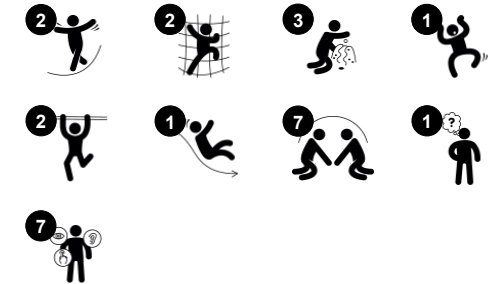


Two Towers with Bridge

PCM200531



Item no. PCM200531-0603	
General Product Information	
Dimensions LxWxH	13'6"x11'4"x6'11"
Age group	2 - 5
Play capacity (users)	16
Color options	



The Two Towers with Bridge has a brilliant variety of active play offerings for the youngest. That ensures hours and hours of play attraction. When they climb the platform, the children train their cross-coordination which is a fundamental motor skills that eventually benefits the reading skills. The suspension bridge is a thrilling response to the child's

movement. This intensely train their sense of balance and their spatial awareness. These motor skills are fundamental for managing the world confidently, e.g. in street traffic. The conveyor belt provides a great tactile sensation and stimulates cross-modal perception, important for reading skills. The main structure egress is the fun slide. Sliding stimulates the

sense of balance, which is fundamental for mastering any physical activity. The side desk is a meeting point and a practical seat for carers. All in all a versatile play creator in every playground, for all children.

Two Towers with Bridge

PCM200531



Slide

Physical: sliding develops spatial awareness and a sense of balance. Furthermore, the core muscles are trained when sitting upright going down. **Social-Emotional:** empathy stimulated by turn-taking. **Cognitive:** young children develop their understanding of space, speed and distances when sliding down quickly.



Desk

Social-Emotional: fine meeting place and a space creator. Sharing and cooperation from both sides create a social scenario that supports communication and cooperation.



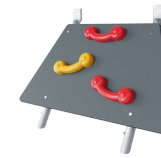
Trekking bridge

Physical: the wobbly bridge trains balance and coordination as well as spatial awareness when children cross the bridge by running or jumping. **Social-Emotional:** turn-taking and consideration when passing each other. Cooperation and socializing with others in and around the bridge.



Flower panel

Social-Emotional: invites cooperation with two sides and provides for parallel play. **Cognitive:** suggests a theme and supports dramatic play, which stimulates language and communication skills.



Rock climber

Physical: supports cross coordination and leg, arm and hand strength. **Social-Emotional:** the incline makes climbing feel safer, especially for younger children.



Conveyor belt

Physical: tactile stimulation from running hands over rolling spheres on conveyor belt. **Social-Emotional:** spurs group play and conversations with its dual-sidedness. **Cognitive:** understanding of object permanence when pictures roll away and reappear.

Two Towers with Bridge

PCM200531



Panels are available in two different materials: 19 mm EcoCore™ HDPE or impregnated and brown painted pine wood. EcoCore™ is a highly durable, ecofriendly material, which is not only recyclable after use, but also consists of a core produced from 100% recycled material. Pine wood boards are embedded in stainless steel frames.

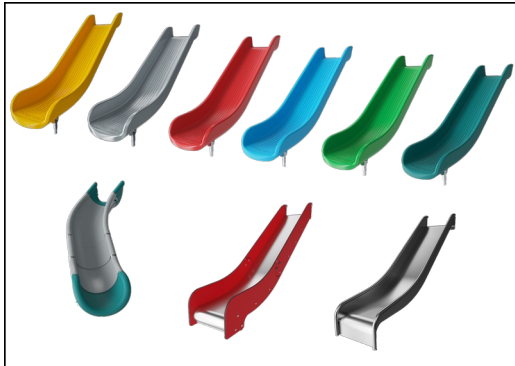


Main posts with hot-dip galvanized steel footing are available in different materials: Pressure impregnated pinewood posts. Pre-galvanized inside and outside with powder-coated top finish steel posts. Lead-free aluminum with color anodized top finish. Greenline TexMade posts of 100% post-consumer recycled PE and textile waste.

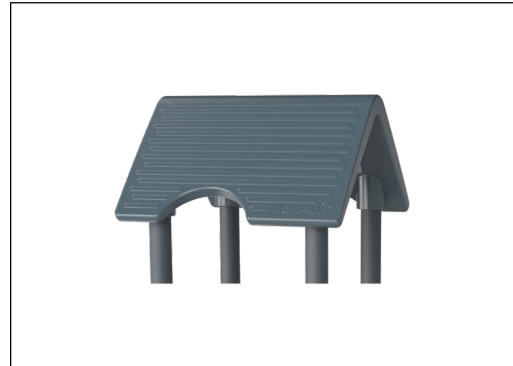


All decks are supported by uniquely designed low-carbon aluminum profiles with multiple attachment options. The grey-colored molded decks are made of 75% post-consumer ocean waste PP material with a non-skid pattern and texture surface.

Item no. PCM200531-0603	
Installation Information	
Max. fall height	1'11"
Safety surfacing area	432ft ²
Total installation time	16.3
Excavation volume	0.63yd ³
Concrete volume	0yd ³
Footing depth (standard)	2'0"
Shipment weight	1006lbs
Anchoring options	In-ground ✓ Surface ✓
Warranty Information	
EcoCore HDPE	Lifetime
Post	10 Years
PP Decks	10 Years
Spare Parts Availability	10 Years



The slides can be chosen in six different colors and three materials: Straight or curved one-piece molded PE slides. Combined EcoCore™ sides and stainless steel. Full stainless steel in a one-piece design for more vandalism-proof solutions.



Colored steel components have a base of hot-dip galvanization and a powder-coated top finish. This provides ultimate corrosion resistance in all climates around the world.



Roof is made from rotomolded PE. PE has high impact resistance across a wide temperature span that ensures durability.

Elevated activities 5	Accessible elevated activities	Accessible ground level activities	Accessible ground level play types
Present	5	2	2
Required	3	2	2

ASTM F1487
compliant

Sustainability Data

PCM200531



Cradle to Gate A1-A3	Total CO ₂ emission	CO ₂ e/kg	Recycled materials
	kg CO ₂ e	kg CO ₂ e/kg	%
PCM200531-0651	645.53	1.84	62.11
PCM200531-0603	660.52	1.91	26.00

The overall framework applied for these factors is the Environmental Product Declaration (EPD), which quantifies "environmental information on the life cycle of a product and enable comparisons between products fulfilling the same function" (ISO, 2006). This follows the structure and applies a Life-Cycle Assessment approach to the entire Product stage from raw material through manufacturing (A1-A3))

Kompan A/S
 C.F. Tietgens Boulevard 32C
 DK-5220 Odense SØ
 Denmark



Verification of CO₂ calculation of: Play systems



Data version no. 2023-10-05

The CO₂ calculation and data are in compliance with the principles of a carbon footprint impact according to the GHG protocol (Greenhouse Gas Protocol), Scope 3, cradle to gate related to all individual components in the product category: "Play systems" represented by item no.: PCM200321-0950.

(Scope 3 emissions include emission sources in the upstream and downstream value chain).

Date: 30. October 2023 | Valid until: 30. October 2025

Verified by:

Julie Marie Vejsgaard Larsen, LCA & EPD Consultant

Verification based on report: Validation of CO₂ calculation of 9 categories of Kompan product line, version 1.0, prepared by: Bureau Veritas HSE, Denmark: Julie M. V. Larsen.

Publication date: 30. October 2023

By Bureau Veritas HSE
 www.bureauveritas.dk
 +45 7731 1000

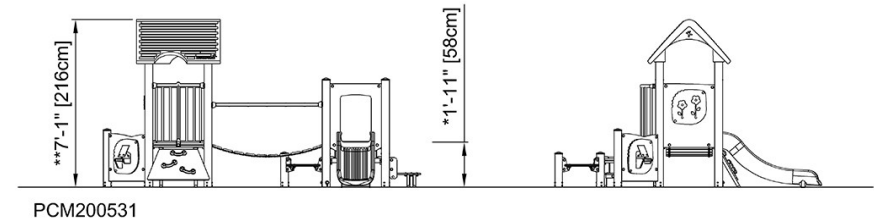
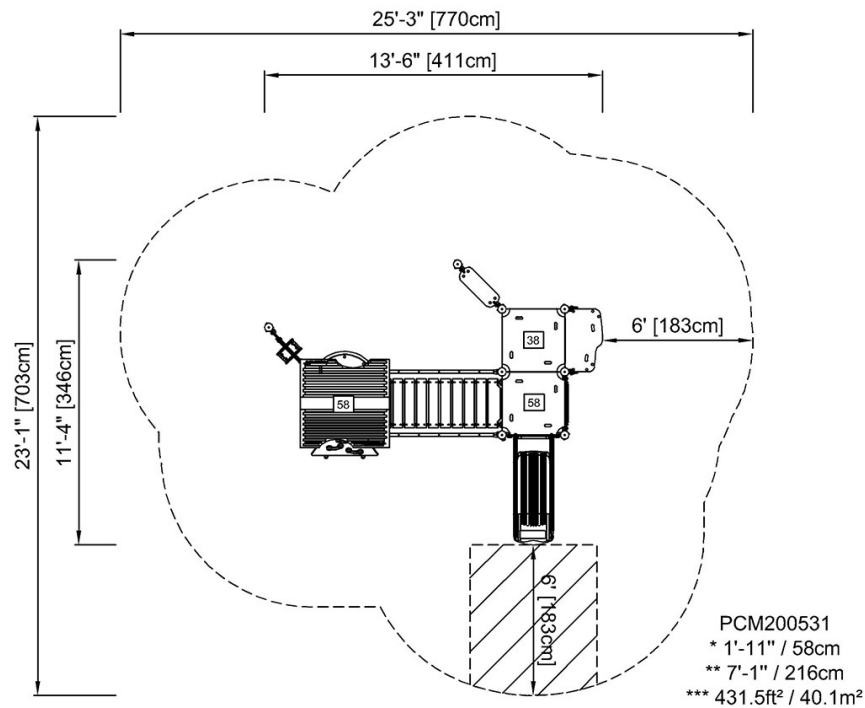


Two Towers with Bridge

PCM200531

* Max fall height | ** Total height | *** Safety surfacing area

* Max fall height | ** Total height



[Click to see TOP VIEW](#)

[Click to see SIDE VIEW](#)