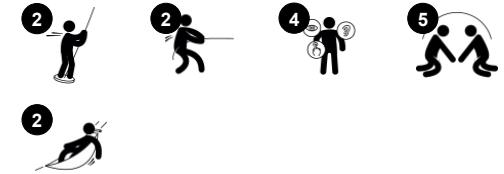


Meeting Point with Movable Hammocks

PCM704



Item no. PCM704-0902	
General Product Information	
Dimensions LxWxH	330x345x290 cm
Age group	5 - 12
Play capacity (users)	12
Colour options	●



WOW! The Meeting Point with Movable Hammocks takes the prize as the most fun meeting point: The two hammocks can be run from side to side, placing them closer together or further apart. This creates an adjustable, swaying platform for socialising, stimulating taking turns skills and cooperation. The hammock, rail and seating combinations

support fun body positions: Children can be seated, lying, standing or kneeling when relaxing together. That makes the Meeting Point with Movable Hammocks ideal for most ages and abilities. The open design and variation of stable and swaying seating options allow for movement throughout. A great place for playful meetings and socialising.

Meeting Point with Movable Hammocks

PCM704



Multiple benches

Social-Emotional: meeting, sharing, and having a break in a transparent setting.

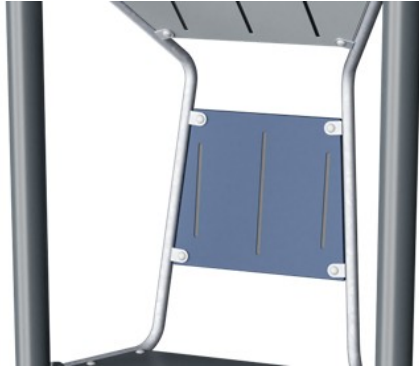


Movable hammock

Physical: sense of balance when swaying, body pressure when lying. Support users lying or seated. **Social-Emotional:** meeting, pushing friends gently back and forth, turn-taking. **Creative:** changing direction and position of hammock.

Meeting Point with Movable Hammocks

PCM704



Panels of 19mm EcoCore™. EcoCore™ is a highly durable, eco friendly material, which is not only recyclable after use, but also consists of material produced from +95% recycled post consumer material from food packing waste.



The steps are made of High Pressure Laminate HPL with a thickness 17,8mm and non skid surface texture according to EN 438-6. KOMPAN HPL has high wearing strength to ensure long lifetime in all climates.



The steel surfaces are hot dip galvanised inside and outside with lead free zinc. The galvanisation has excellent corrosion resistance in outside environments and requires low maintenance.

Item no. PCM704-0902	
Installation Information	
Max. fall height	59 cm
Safety surfacing area	40.2 m ²
Total installation time	11.3
Excavation volume	0.33 m ³
Concrete volume	0.08 m ³
Footing depth (standard)	85 cm
Shipment weight	465 kg
Anchoring options	In-ground ✓ Surface ✓
Warranty Information	
EcoCore HDPE	Lifetime
Hot dip galvanised steel	Lifetime
Membrane	2 years
Post	10 years
Spare parts guaranteed	10 years



Hammock seat is made of PUR. All components retain their properties in the temperature range of -30°C to 60°C. All materials are UV stabilised to a maximum without use of heavy metal stabilisers.



The curved bars for hammocks are made of stainless steel to ensure durability and high corrosion resistance.



Steel posts are galvanised inside and outside with powder coated top finish. This provides an ultimate corrosion resistance in all climates around the world.

Elevated activities 0	Accessible elevated activities	Accessible ground level activities	Accessible ground level play types
Present	0	1	1
Required	0	1	1

**CSA
Z614**
compliant

Sustainability Data

PCM704



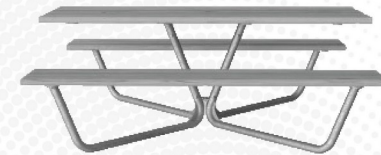
Cradle to Gate A1-A3	Total CO ₂ emission	CO ₂ e/kg	Recycled materials
	kg CO ₂ e	kg CO ₂ e/kg	%
PCM704-0902	924.47	2.92	52.58

The overall framework applied for these factors is the Environmental Product Declaration (EPD), which quantifies "environmental information on the life cycle of a product and enable comparisons between products fulfilling the same function" (ISO, 2006). This follows the structure and applies a Life-Cycle Assessment approach to the entire Product stage from raw material through manufacturing (A1-A3))

Kompan A/S
 C.F. Tietgens Boulevard 32C
 DK-5220 Odense SØ
 Denmark



Verification of CO₂ calculation of: Park



Data version no. 2023-10-05

The CO₂ calculation and data are in compliance with the principles of a carbon footprint impact according to the GHG protocol (Greenhouse Gas Protocol), Scope 3, cradle to gate related to all individual components in the product category: "Park" represented by item no.: PAR4070-0001.

(Scope 3 emissions include emission sources in the upstream and downstream value chain).

Date: 30. October 2023 | Valid until: 30. October 2025

Verified by:

Julie Marie Vejsgaard Larsen, LCA & EPD Consultant

Verification based on report: Validation of CO₂ calculation of 9 categories of Kompan product line, version 1.0, prepared by: Bureau Veritas HSE, Denmark: Julie M. V. Larsen.

Publication date: 30. October 2023

By Bureau Veritas HSE
 www.bureauveritas.dk
 +45 7731 1000

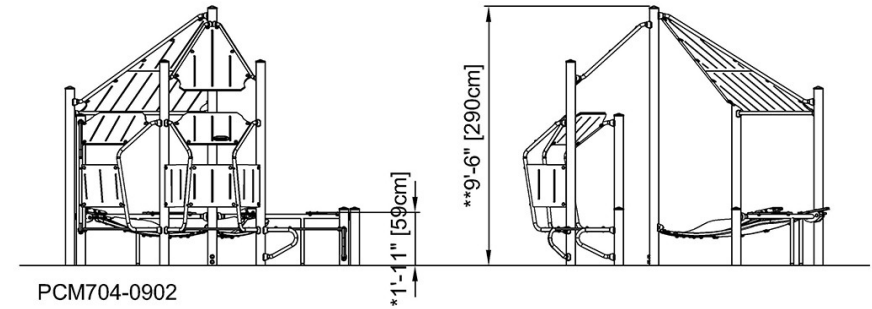
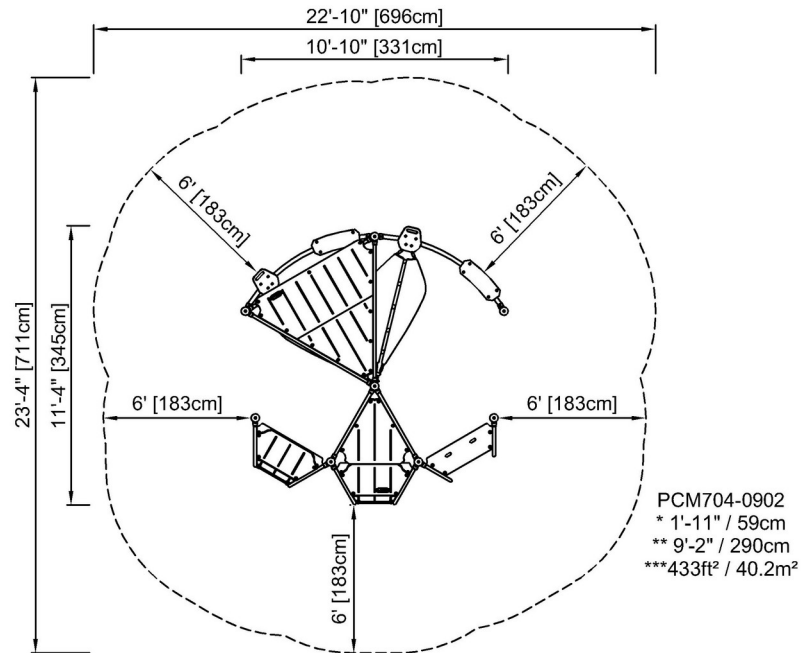


Meeting Point with Movable Hammocks

PCM704

* Max fall height | ** Total height | *** Safety surfacing area

* Max fall height | ** Total height



[Click to see TOP VIEW](#)

[Click to see SIDE VIEW](#)