

Basketball Goal

FRE3025

KOMPAN
Let's play



Item no. FRE3025-3717

General Product Information

| | |
|-----------------------|---|
| Dimensions LxWxH | 250x142x368 cm |
| Age group | 3+ |
| Play capacity (users) | - |
| Color options |  |

A basketball goal can be used by only one person, two or a whole group simultaneously. Here everyone can join in and it's easy to walk to and from the game. The basketball hoop is placed at the official NBA height of 305 cm, and has the official NBA size of 46 cm in diameter.



Basketball Goal

FRE3025



3 choices of nets: Polyamide (PA), PA reinforced with a steel wire inside, stainless steel chains which meet the requirements in ISO1434-ISO1435 and DIN766.



All steel components are manufactured from carbon steel, welding's according to EN ISO 5817 & Hot dip galvanised (HDG) according to ISO1461. This process ensures good protection in all circumstances.

Item no. FRE3025-3717

Installation Information

| | |
|--------------------------|--------------------------|
| Max. fall height | 0 cm |
| Safety surfacing area | 0.0 m ² |
| Total installation time | 2.9 |
| Excavation volume | 0.32 m ³ |
| Concrete volume | 0.31 m ³ |
| Footing depth (standard) | 90 cm |
| Shipment weight | 125 kg |
| Anchoring options | In-ground ✓ Surface ✓ |



Sustainability Data

FRE3025



| Cradle to Gate A1-A3 | Total CO ₂ emission | CO ₂ e/kg | Recycled materials |
|----------------------|--------------------------------|-------------------------|--------------------|
| | kg CO ₂ e | kg CO ₂ e/kg | % |
| FRE3025-3717 | 274.20 | 2.26 | 57.70 |

The overall framework applied for these factors is the Environmental Product Declaration (EPD), which quantifies "environmental information on the life cycle of a product and enable comparisons between products fulfilling the same function" (ISO, 2006). This follows the structure and applies a Life-Cycle Assessment approach to the entire Product stage from raw material through manufacturing (A1-A3))

Kompan A/S
 C.F. Tietgens Boulevard 32C
 DK-5220 Odense SØ
 Denmark



Verification of CO₂ calculation of: Sport



Data version no. 2023-10-05

The CO₂ calculation and data are in compliance with the principles of a carbon footprint impact according to the GHG protocol (Greenhouse Gas Protocol), Scope 3, cradle to gate related to all individual components in the product category: "Sport" represented by item no: FRE600202-0901.

(Scope 3 emissions include emission sources in the upstream and downstream value chain).

Date: 30. October 2023 | Valid until: 30. October 2025

Verified by:

Julie Marie Vejsgaard Larsen, LCA & EPD Consultant

Verification based on report: Validation of CO₂ calculation of 9 categories of Kompan product line, version 1.0, prepared by: Bureau Veritas HSE, Denmark: Julie M. V. Larsen.

Publication date: 30. October 2023

By Bureau Veritas HSE
 www.bureauveritas.dk
 +45 7731 1000

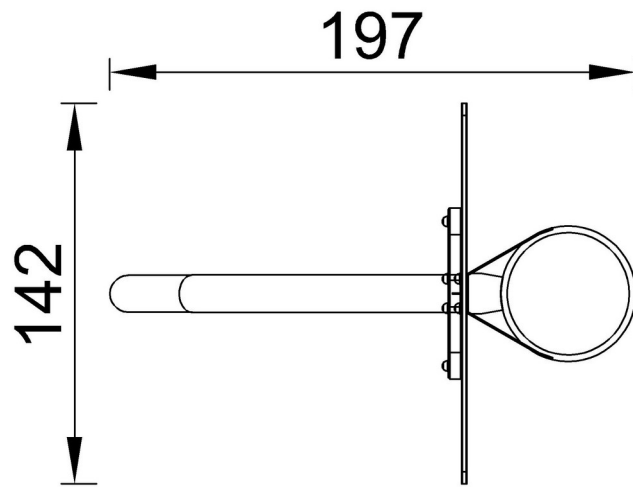


Basketball Goal

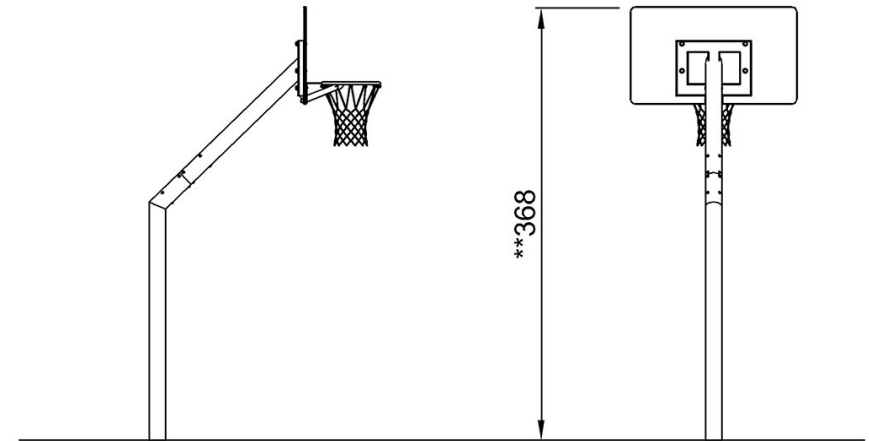
FRE3025

* Max fall height | ** Total height | *** Safety surfacing area

* Max fall height | ** Total height



FRE3025
****368cm**



FRE3025

[Click to see TOP VIEW](#)

[Click to see SIDE VIEW](#)