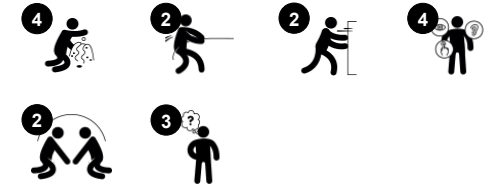


Play Panel High, Creative

NRO617



Item no. NRO617-1001	
General Product Information	
Dimensions LxWxH	4'4"x0'11"x3'9"
Age group	2 - 12
Play capacity (users)	4
Color options	

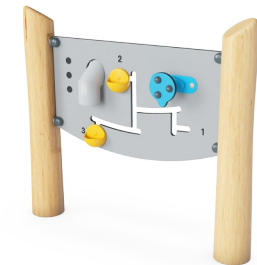


Wow! The children can't keep their hands off the Manipulative Play Panel. The variation of responsive play elements inspires exploration. The wide panel and the fact that all items on one side are connected to action on the other side support cause-and-effect understanding, cooperation, and turn-taking in social play. The feedback on the child's actions is important to

logical thinking: The steering wheel moves another wheel.

The play spheres with numbers move play shovels on the other side. The funnel turns up on one side and down on the other. This invites toddlers and children to run items or sand through, a favorite pastime that stimulates

object permanence, understanding that items and persons don't cease to exist when out of sight. The shovels can be placed to catch and transport sand in creative play. The play panel is high to make it more inclusive of older children.



Play Panel High, Creative

NRO617

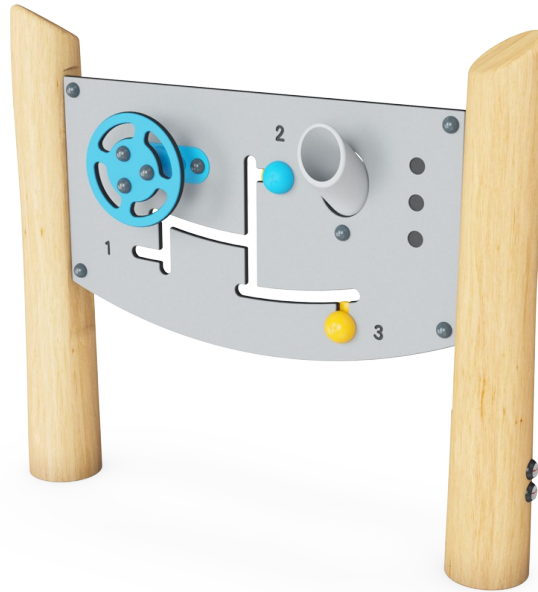


Gearshift and tube panel

Social-Emotional: spurs group play and conversations with its dual-sidedness.

Cognitive: supports dramatic play, which stimulates language skills. Communication skills when explaining functionalities. The passing of materials through funnels supports the children's logical thinking and the understanding of object permanence.

Creative: changing the position of the gear, leaving your mark.



Play Panel High, Creative

NRO617



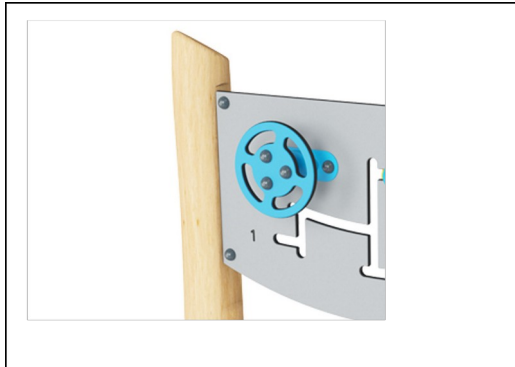
All Organic Robinia products by KOMPAN are made of Robinia wood from sustainable European sources. On request it can be supplied as FSC® Certified (FSC® C004450).



The Robinia wood can be supplied as untreated raw wood or painted with a brown colored transparent pigment that maintains the golden wood color of the wood.



There are Multiple footing options for all products: Surface anchoring with steel footings and expansion bolts. Wood in-ground or steel in-ground footings.



Panels of 19mm EcoCore™ HDPE. EcoCore™ is a highly durable, eco friendly material, which is not only recyclable after use, but also consists of material produced from +95% recycled post consumer material from food packing waste.

Item no. NRO617-1001	
Installation Information	
Max. fall height	0'0"
Safety surfacing area	0ft²
Total installation time	3.3
Excavation volume	0.33yd³
Concrete volume	0yd³
Footing depth (standard)	3'3"
Shipment weight	199lbs
Anchoring options	In-ground ✓
Warranty Information	
EcoCore HDPE	Lifetime
Movable parts	2 Years
Robinia Wood	10 Years
Spare Parts Availability	10 Years

Elevated activities	Accessible elevated activities	Accessible ground level activities	Accessible ground level play types
Present			
Required			

**ASTM
F1487**
compliant

Sustainability Data

NRO617



Cradle to Gate A1-A3	Total CO₂ emission	CO₂e/kg	Recycled materials
	kg CO ₂ e	kg CO ₂ e/kg	%
NRO617-1001	31.49	0.45	15.20

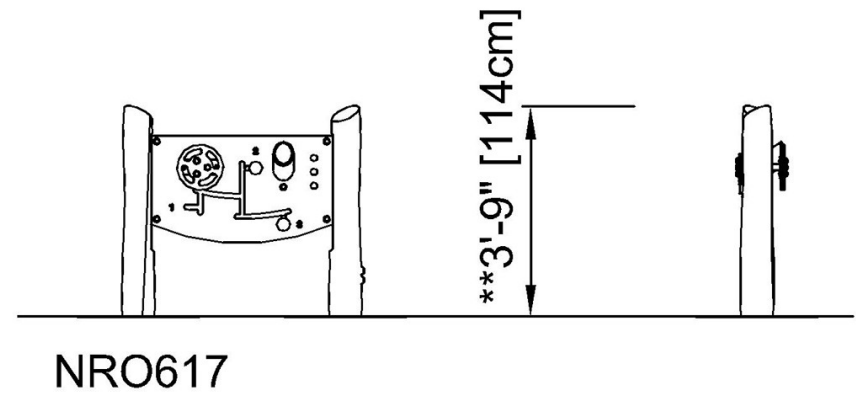
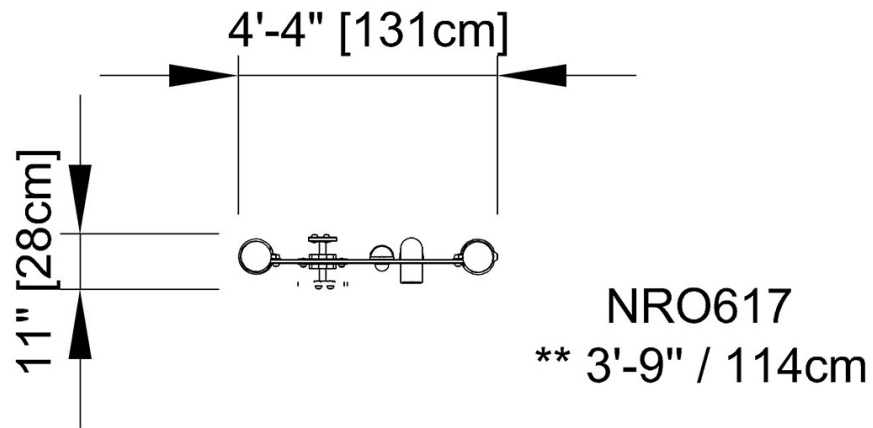
The overall framework applied for these factors is the Environmental Product Declaration (EPD), which quantifies "environmental information on the life cycle of a product and enable comparisons between products fulfilling the same function" (ISO, 2006). This follows the structure and applies a Life-Cycle Assessment approach to the entire Product stage from raw material through manufacturing (A1-A3))

Play Panel High, Creative

NRO617

* Max fall height | ** Total height | *** Safety surfacing area

* Max fall height | ** Total height



[Click to see TOP VIEW](#)

[Click to see SIDE VIEW](#)