

Octopus Seesaw

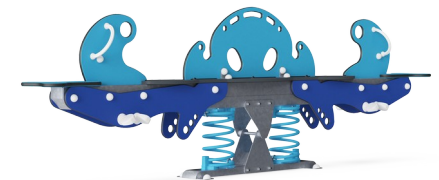
M181



Item no. M18110-01P

General Product Information

Dimensions LxWxH	31x313x98 cm
Age group	3+
Play capacity (users)	4
Colour options	



The Octopus seesaw helps to motivate children to join in play, so they are rocking together. The cartoonish design attracts children and makes them want to play. The sturdy hand and foot supports allow for mild or wild rocking, depending on the child's energy level. The spring base makes it possible for a range of ages to rock together. The Octopus head in the

middle supports an upright seat and for holding tight while being rocked. This allows for more socialising and more children. There is room enough for a care giver, too. The seats at the end are big enough for older children as well as adults. The fun thrill of rocking, individually or in pairs or groups, will make children want to play for longer. Rocking on the Octopus seesaw

trains the children's muscles and motor skills, e.g. balance and coordination and supports the development of social-emotional skills, e.g. cooperation, consideration and turn-taking.

Octopus Seesaw

M181



Theme

Cognitive: suggests a theme and supports dramatic play, which stimulates language and communication skills.



Rocking together

Social-Emotional: the possibility of rocking two together trains cooperation skills and consideration of others.



Foot support

Physical: the footrest supports intensive rocking, simulating the senses of balance and space and supports coordination and muscle strength.



Rocking spring

Physical: response to movements adds to spatial awareness and sense of balance which are fundamental motor skills.
Cognitive: trains the understanding of cause and effect: when I move my body, the spring responds with movement.



Handhold

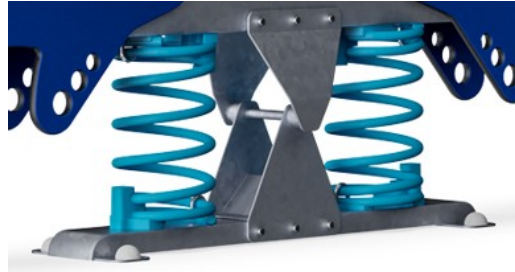
Physical: opens more hold positions and ensures good grip, necessary for rocking intensely which trains hand and arm muscles.

Octopus Seesaw

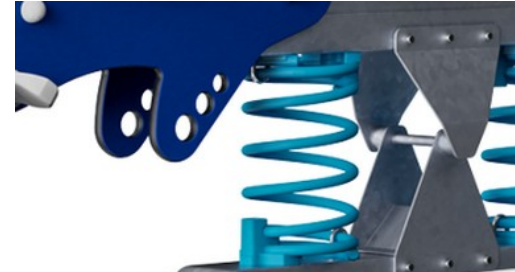
M181



Panels of 19mm EcoCore™. EcoCore™ is a highly durable, eco-friendly material, which is not only recyclable after use but also consists of a core produced from 100% recycled material.



KOMPAN's springs are manufactured from high-quality spring steel. The springs are cleaned by phosphating before being painted with epoxy primer and polyester powder coating. The springs are fixed by unique anti-pinch fittings for maximum safety and longevity.



The springs are fixed by unique anti-pinch fittings for maximum safety and longevity.

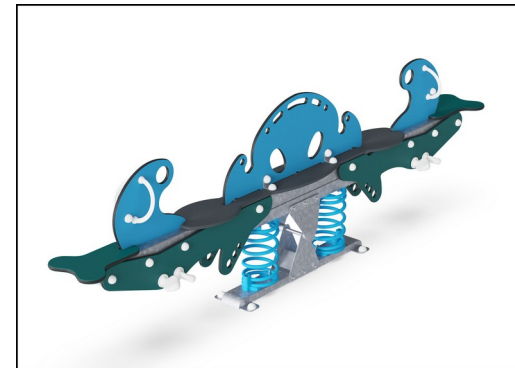
Item no. M18110-01P	
Installation Information	
Max. fall height	100 cm
Safety surfacing area	13.7 m ²
Total installation time	4.9
Excavation volume	0.42 m ³
Concrete volume	0.00 m ³
Footing depth (standard)	42 cm
Shipment weight	186 kg
Anchoring options	In-ground ✓ Surface ✓
Warranty Information	
EcoCore HDPE	Lifetime
Galvanised Steel	Lifetime
HPL Platform	15 years
Spare Parts Guarantee	10 years
Springs	5 years



Handholds and footrests are manufactured from injection moulded high-quality nylon (PA6) which is a durable material.



The steel support posts are hot-dip galvanised inside and outside with lead free zinc. The galvanisation has excellent corrosion resistance in outside environments and requires low maintenance.



KOMPAN GreenLine versions are designed with ultimate environmentally friendly materials with the lowest possible CO2e emission factor such as EcoCore™ panels of 100% post consumer recycled ocean waste.



Sustainability Data

M181



Cradle to Gate A1-A3	Total CO ₂ emission	CO ₂ e/kg	Recycled materials
	kg CO ₂ e	kg CO ₂ e/kg	%
M18110-01P	281.77	2.13	49.67

The overall framework applied for these factors is the Environmental Product Declaration (EPD), which quantifies "environmental information on the life cycle of a product and enable comparisons between products fulfilling the same function" (ISO, 2006). This follows the structure and applies a Life-Cycle Assessment approach to the entire Product stage from raw material through manufacturing (A1-A3))

Kompan A/S
C.F. Tietgens Boulevard 32C
DK-5220 Odense SØ
Denmark



Verification of CO₂ calculation of: Freestanding play equipment



Data version no. 2023-10-05

The CO₂ calculation and data are in compliance with the principles of a carbon footprint impact according to the GHG protocol (Greenhouse Gas Protocol), Scope 3, cradle to gate related to all individual components in the product category: "Freestanding play equipment" represented by item no.: GXY916012-3417.

(Scope 3 emissions include emission sources in the upstream and downstream value chain).

Date: 30. October 2023 | Valid until: 30. October 2025

Verified by:

Julie Marie Vejsgaard Larsen, LCA & EPD Consultant

Verification based on report: Validation of CO₂ calculation of 9 categories of Kompan product line, version 1.0, prepared by: Bureau Veritas HSE, Denmark: Julie M. V. Larsen.

Publication date: 30. October 2023

By Bureau Veritas HSE
www.bureauveritas.dk
+45 7731 1000

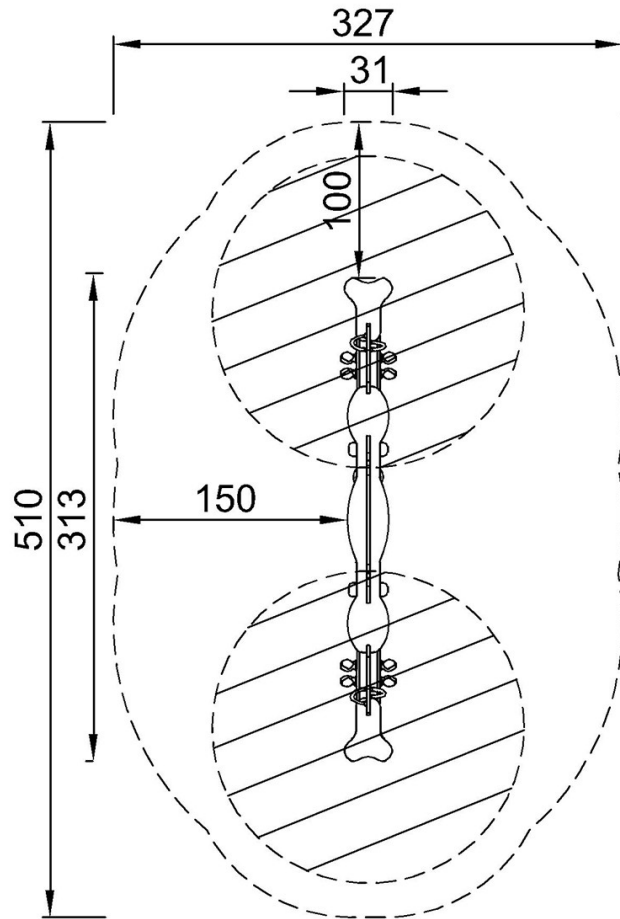


Octopus Seesaw

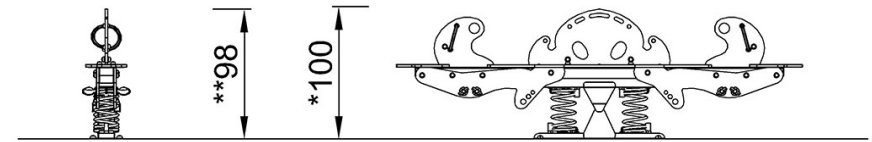
M181

* Max fall height | ** Total height | *** Safety surfacing area

* Max fall height | ** Total height



M18113
*100cm
**98cm
***13.7m²



M18110

[Click to see TOP VIEW](#)

[Click to see SIDE VIEW](#)