

Little Elephant

M189



Item no. M18901-01P

General Product Information

Dimensions LxWxH	40x80x86 cm
Age group	1+
Play capacity (users)	1
Color options	



Wow! The whimsical look of the Little Elephant is a play attractor. And it rocks! Rocking is a thrilling activity that attracts young children immensely. Rocking with standing is not only fun, but helps to build physical and cognitive skills. The rocking movements of the Little Elephant respond to the child's own forward and backward movements. This takes

coordination and it develops spatial awareness and a sense of balance. These are fundamental motor skills that help the child move confidently as well as sit still on a chair. The trunk stability is trained, supporting that. The responsive movements help children to be aware of cause and effect: When they move their body, it has an impact. This builds a

fundament for understanding logical thinking. The red sphere on the Elephant's ear adds to that when the child moves it up and down the groove.



Little Elephant

M189



Panels of 19mm EcoCore™. EcoCore™ is a highly durable, eco friendly material, which is not only recyclable after use, but also consists of material produced from +95% recycled post consumer material from food packing waste.



Seat is made of HPL with a thickness of 17.8mm with a very high wearing strength and a unique KOMPAN nonskid surface texture.



The rocking movement over axis is made by heavy duty scaled ROSTA torsion spring element. The ROSTA element works without any noise and requires low maintenance.



The steel surfaces are hot dip galvanised inside and outside with lead free zinc. The galvanisation has excellent corrosion resistance in outside environments and requires low maintenance.

Item no. M18901-01P	
Installation Information	
Max. fall height	60 cm
Safety surfacing area	10.4 m ²
Total installation time	2.6
Excavation volume	0.12 m ³
Concrete volume	0.00 m ³
Footing depth (standard)	44 cm
Shipment weight	30 kg
Anchoring options	In-ground ✓ Surface ✓



Sustainability Data

M189



Cradle to Gate A1-A3	Total CO ₂ emission	CO ₂ e/kg	Recycled materials
	kg CO ₂ e	kg CO ₂ e/kg	%
M18901-01P	62.50	2.40	38.80

The overall framework applied for these factors is the Environmental Product Declaration (EPD), which quantifies "environmental information on the life cycle of a product and enable comparisons between products fulfilling the same function" (ISO, 2006). This follows the structure and applies a Life-Cycle Assessment approach to the entire Product stage from raw material through manufacturing (A1-A3))

Kompan A/S
 C.F. Tietgens Boulevard 32C
 DK-5220 Odense SØ
 Denmark



Verification of CO₂ calculation of: Themed play systems



Data version no. 2023-10-05

The CO₂ calculation and data are in compliance with the principles of a carbon footprint impact according to the GHG protocol (Greenhouse Gas Protocol), Scope 3, cradle to gate related to all individual components in the product category: "Themed play systems" represented by item no.: MSC641100-3717P.

(Scope 3 emissions include emission sources in the upstream and downstream value chain).

Date: 30. October 2023 | Valid until: 30. October 2025

Verified by:

Julie Marie Vejsgaard Larsen, LCA & EPD Consultant

Verification based on report: Validation of CO₂ calculation of 9 categories of Kompan product line, version 1.0, prepared by: Bureau Veritas HSE, Denmark: Julie M. V. Larsen.

Publication date: 30. October 2023

By Bureau Veritas HSE
 www.bureauveritas.dk
 +45 7731 1000

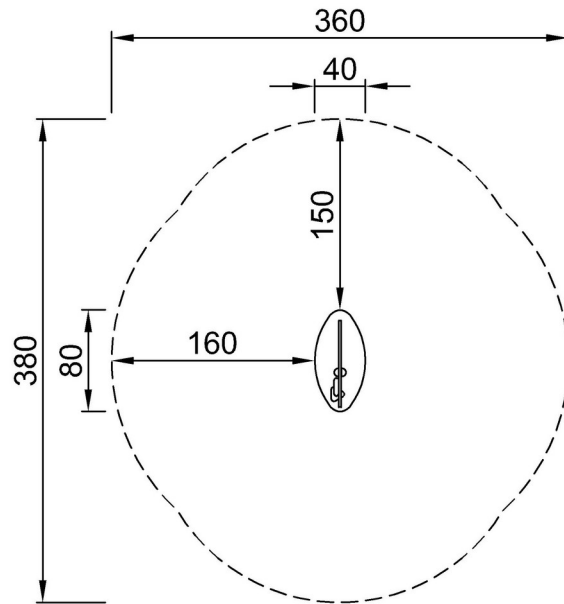


Little Elephant

M189

* Max fall height | ** Total height | *** Safety surfacing area

* Max fall height | ** Total height



M18901P
*60cm
**86cm
***10.4m²



M18901P

[Click to see TOP VIEW](#)

[Click to see SIDE VIEW](#)