

Double Stairs

FSW230



Item no. FSW23000-0902

General Product Information

Dimensions LxWxH 101x253x163 cm

Age group 13+

Play capacity (users) 2

Color options 



See KOMPAN Fit app for more



The stair is a very common everyday obstacle. Maintaining the ability to safely overcome any stairs is very important for elderly people to safely move around in urban environments. The stairs are available in two different versions: normal stairs or steep stairs. This allows for progression in exercise that can fit everyone – for example going from the normal

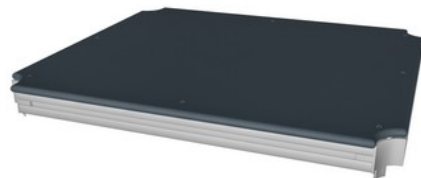
stairs with hand support to the steep stairs without support. The stairs can also be used for simple effective exercises like step-ups, lunges and even jumping.

Double Stairs

FSW230



The bar is 1400mm long, with a height of 940mm and is intended as grip during exercises. The bar is made of hot-dip galvanised steel ø38mm, a great diameter for a good grip and to support the wrist.



All decks are supported by unique designed aluminium profiles with multiple attachment options by usage of pressure moulded aluminium connectors. The HPL decks with a thickness of 17.8mm with a very high wearing strength and a unique KOMPAN nonskid surface texture.



Post are made of Ø101.6 x 2mm, pre-galvanized carbon steel and powder coated, a great protection to all conditions.

Item no. FSW23000-0902

Installation Information

Max. fall height	69 cm
Safety surfacing area	20.0 m ²
Total installation time	9.9
Excavation volume	0.23 m ³
Concrete volume	0.12 m ³
Footing depth (standard)	90 cm
Shipment weight	336 kg
Anchoring options	In-ground ✓ Surface ✓

Warranty Information

EcoCore HDPE	Lifetime
Hot dip galvanised steel	Lifetime
HPL decks	15 years
Post	10 years
Spare parts guaranteed	10 years



The information sign is made of a PA6 (Polyamide) and shows the most relevant exercise and a QR code. When scanned the QR code will link to an animated illustration of the exercise and offers the possibility of downloading the KOMPAN sport & fitness App, which will provide a large amount of exercises and workouts.



The connectors are made of die-cast aluminium, specially alloyed for the outdoor environments and heavy usage. The screws attaching the connectors are stainless steel and protected by zinc washers.

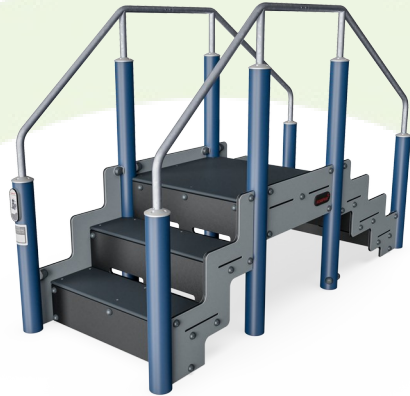


KOMPAN fitness products are standard available in Orange, Anthracite Grey, Medium Grey, Dark Grey, Night Sky Blue, Light Blue, Yellow, Red, Black, Moss Green, Lime Green, Medium Green, Sand and Nut Brown. All other RAL colours are available on request. It will always be possible to match the surroundings or colour theme!



Sustainability Data

FSW230



Cradle to Gate A1-A3	Total CO ₂ emission	CO ₂ e/kg	Recycled materials
	kg CO ₂ e	kg CO ₂ e/kg	%
FSW23000-0902	438.19	2.00	54.56

The overall framework applied for these factors is the Environmental Product Declaration (EPD), which quantifies "environmental information on the life cycle of a product and enable comparisons between products fulfilling the same function" (ISO, 2006). This follows the structure and applies a Life-Cycle Assessment approach to the entire Product stage from raw material through manufacturing (A1-A3))

Kompan A/S
 C.F. Tietgens Boulevard 32C
 DK-5220 Odense SØ
 Denmark



Verification of CO₂ calculation of: Fitness



Data version no. 2023-10-05

The CO₂ calculation and data are in compliance with the principles of a carbon footprint impact according to the GHG protocol (Greenhouse Gas Protocol), Scope 3, cradle to gate related to all individual components in the product category: "Fitness" represented by item no.: FAZ10100-0900.

(Scope 3 emissions include emission sources in the upstream and downstream value chain).

Date: 30. October 2023 | Valid until: 30. October 2025

Verified by:

Julie Marie Vejsgaard Larsen, LCA & EPD Consultant

Verification based on report: Validation of CO₂ calculation of 9 categories of Kompan product line, version 1.0, prepared by: Bureau Veritas HSE, Denmark: Julie M. V. Larsen.

Publication date: 30. October 2023

By Bureau Veritas HSE
 www.bureauveritas.dk
 +45 7731 1000

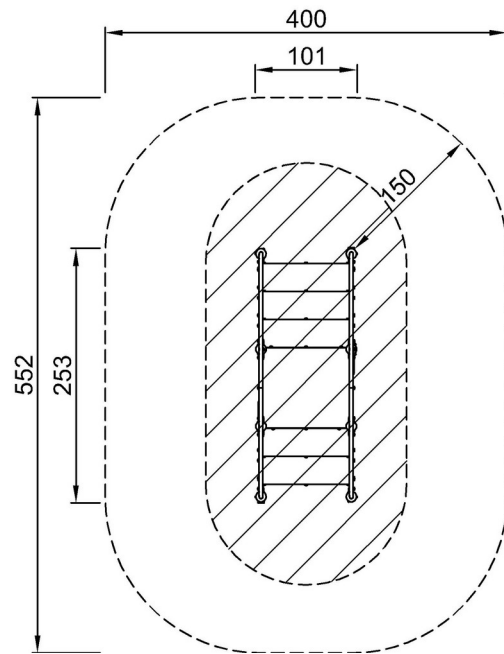


Double Stairs

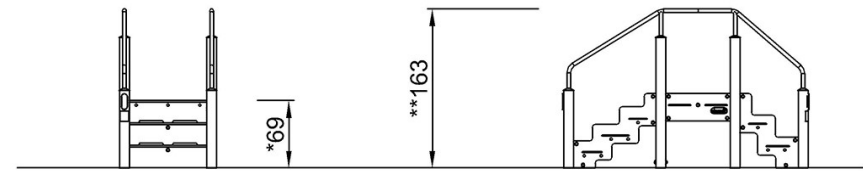
FSW230

* Max fall height | ** Total height | *** Safety surfacing area

* Max fall height | ** Total height



FSW23000
*69cm
**163cm
***20m²



FSW23000

[Click to see TOP VIEW](#)

[Click to see SIDE VIEW](#)