

Agora Steel Extension Bench with Backrest

PAR4055

KOMPAN
Let's play



Item no. PAR4055-0602

General Product Information

Dimensions LxWxH 181x52x87 cm

Age group

Play capacity (users)

3

Colour options



AGORA STEEL EXTENSION BENCH WITH BACKREST is a part of the awarded furniture line from KOMPAN. AGORA is developed according to the latest inclusive design principles for outdoor furnishing without compromising on design qualities. KOMPAN truly believes in making public spaces more attractive and accessible for all. AGORA offers

a high level of flexibility when it comes to anchoring, colour, and material options to stimulate architectural creativity and to fit the site-specific requirements for individual customer projects. The complete AGORA line is available in highly vandalism-resistant steel versions where tabletop and seat are made of perforated HDG Steel, leaving very little need

for maintenance. The steel versions are available in accent colours to e.g. support a city's visual identity or make a statement.



Agora Steel Extension Bench with Backrest

PAR4055



Steel internal surfaces are hot-dip galvanised, and the outside surfaces are lead and zinc free. Galvanisation has excellent corrosion resistance within outdoor environments and requires very little maintenance. Painted steel parts are hot-dip galvanised and then powder coated.



Galvanisation is manufactured with a two-step process which includes light grinding and clean sweeping, which is then finished with a top powder coating to 70-120 µm thickness.



The Agora full steel assortment is available as standard in 9 different colors to match the selected color scheme on the play, sport or fitness site.

Item no. PAR4055-0602

Installation Information

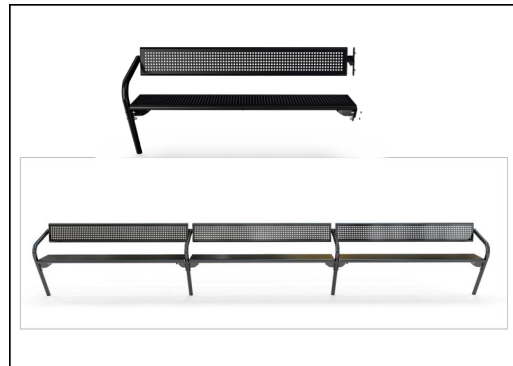
Total installation time	1.4
Excavation volume	0.10 m ³
Concrete volume	0.06 m ³
Footing depth (standard)	60 cm
Shipment weight	64 kg
Anchoring options	Surface ✓ In-ground ✓

Warranty Information

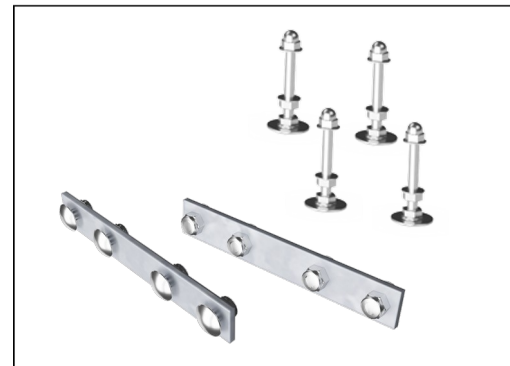
Galvanised Steel	Lifetime
Painted Toplayer	10 years
Spare Parts Guarantee	10 years
Stainless Steel Components	Lifetime



KOMPAN outdoor furniture is available for surface and in-ground installation. Surface installation by anchoring to base layer or in-ground installation as either direct in ground or additional hot dip galvanized steel brackets.



The benches and tables can be combined in multiple settings by choosing individual products or assembled into larger solutions. See catalogue pages for more inspiration.



The hardware is made of stainless steel or galvanised steel to ensure durable connections with a high corrosion resistance.

Sustainability Data

PAR4055



Cradle to Gate A1-A3	Total CO ₂ emission	CO ₂ e/kg	Recycled materials
	kg CO ₂ e	kg CO ₂ e/kg	%
PAR4055-0602	118.09	2.59	50.00

The overall framework applied for these factors is the Environmental Product Declaration (EPD), which quantifies "environmental information on the life cycle of a product and enable comparisons between products fulfilling the same function" (ISO, 2006). This follows the structure and applies a Life-Cycle Assessment approach to the entire Product stage from raw material through manufacturing (A1-A3))

Kompan A/S
C.F. Tietgens Boulevard 32C
DK-5220 Odense SØ
Denmark



Verification of CO₂ calculation of: Park



Data version no. 2023-10-05

The CO₂ calculation and data are in compliance with the principles of a carbon footprint impact according to the GHG protocol (Greenhouse Gas Protocol), Scope 3, cradle to gate related to all individual components in the product category: "Park" represented by item no.: PAR4070-0001.

(Scope 3 emissions include emission sources in the upstream and downstream value chain).

Date: 30. October 2023 | Valid until: 30. October 2025

Verified by:

Julie Marie Vejsgaard Larsen, LCA & EPD Consultant

Verification based on report: Validation of CO₂ calculation of 9 categories of Kompan product line, version 1.0, prepared by: Bureau Veritas HSE, Denmark: Julie M. V. Larsen.

Publication date: 30. October 2023

By Bureau Veritas HSE
www.bureauveritas.dk
+45 7731 1000

