

Support

M147



Item no. M14701-00P

General Product Information

Dimensions LxWxH	88x80x54 cm
Age group	3+
Play capacity (users)	-
Colour options	



The Support Seat for the double seesaws from KOMPAN is a clever, universal design replacement of either seat end. It can be used by all children. The foot and calf support gives a sturdy and firm footrest that also functions well for children with leg impairments or motor disabilities. The back support additionally holds the child's seated position ergonomically well.

The open sides ease the entrance into the seat and it allows for carers or parents to join in the play. The dimensions of the Support Seat allows children from ages 4 and up, with leg impairments or mobility disabilities, to place their feet in the footrest and stem their bags into the back support and thus set the seesaw into motion. This is highly satisfying for children

who are not used to controlling play equipment independently. What's more, it trains all children's sense of being in control during play.



Support

M147



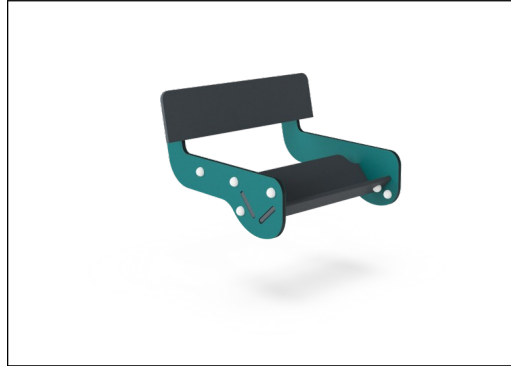
Seat, extra foot and back support

Physical: extra back and foot support for children with disabilities. Rocking promotes sense of balance and space. Arms and leg muscles are strengthened. **Social-Emotional:** socialising and cooperation, support for all abilities.



Support

M147



Panels of 19mm EcoCore™. EcoCore™ is a highly durable, eco-friendly material, which is not only recyclable after use but also consists of a core produced from 100% recycled material.

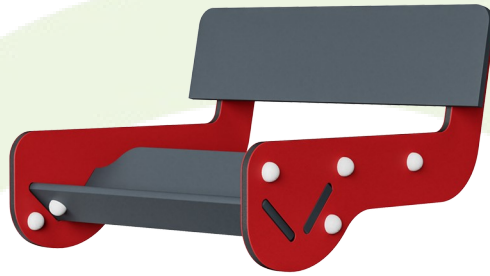
KOMPAN GreenLine™ versions are designed with ultimate environmentally friendly materials with the lowest possible CO2e emission factor such as EcoCore™ panels of 100% post consumer recycled ocean waste.

Item no. M14701-00P	
Installation Information	
Max. fall height	0 cm
Safety surfacing area	0.0 m ²
Total installation time	2.1
Excavation volume	0.00 m ³
Concrete volume	0.00 m ³
Footing depth (standard)	0 cm
Shipment weight	23 kg
Anchoring options	
Warranty Information	
EcoCore HDPE	Lifetime
Spare Parts Guarantee	10 years



Sustainability Data

M147



Cradle to Gate A1-A3	Total CO ₂ emission	CO ₂ e/kg	Recycled materials
	kg CO ₂ e	kg CO ₂ e/kg	%
M14701-00P	49.14	2.14	28.92

The overall framework applied for these factors is the Environmental Product Declaration (EPD), which quantifies "environmental information on the life cycle of a product and enable comparisons between products fulfilling the same function" (ISO, 2006). This follows the structure and applies a Life-Cycle Assessment approach to the entire Product stage from raw material through manufacturing (A1-A3))

Kompan A/S
 C.F. Tietgens Boulevard 32C
 DK-5220 Odense SØ
 Denmark



Verification of CO₂ calculation of: Freestanding play equipment



Data version no. 2023-10-05

The CO₂ calculation and data are in compliance with the principles of a carbon footprint impact according to the GHG protocol (Greenhouse Gas Protocol), Scope 3, cradle to gate related to all individual components in the product category: "Freestanding play equipment" represented by item no.: GXY916012-3417.

(Scope 3 emissions include emission sources in the upstream and downstream value chain).

Date: 30. October 2023 | Valid until: 30. October 2025

Verified by:

Julie Marie Vejsgaard Larsen, LCA & EPD Consultant

Verification based on report: Validation of CO₂ calculation of 9 categories of Kompan product line, version 1.0, prepared by: Bureau Veritas HSE, Denmark: Julie M. V. Larsen.

Publication date: 30. October 2023

By Bureau Veritas HSE
 www.bureauveritas.dk
 +45 7731 1000

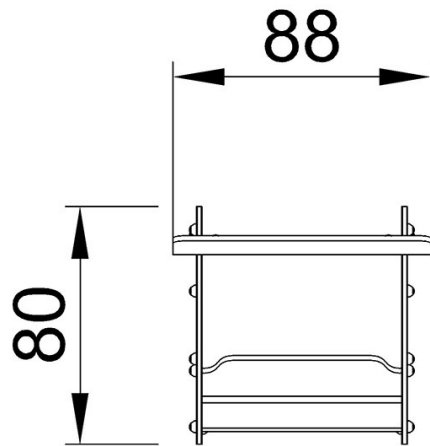


Support

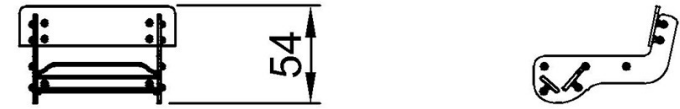
M147

* Max fall height | ** Total height | *** Safety surfacing area

* Max fall height | ** Total height



M14700



M14700

[Click to see TOP VIEW](#)

[Click to see SIDE VIEW](#)