

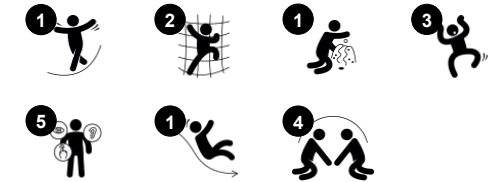
Toddlers Castle with Rock Climber

MSC5422

Item no. MSC542201-3417P

General Product Information

Dimensions LxWxH	279x231x149 cm
Age group	1+
Play capacity (users)	12
Color options	



The Toddler's Castle with Rock Climber is an inviting playground activity that attracts children to be active and to interact in thrilling ways. The cat side has a nice table with play ring and sand sieve, inviting exploration, meetings and socializing, the beginning of the first friendships. The stairway is wide and accommodates crawling. So does the steeper

rock-climb, adding to variety. This trains children's cross-coordination, an important motor skill that among others support later reading skills. Sliding is a great thrill for the youngest. It stimulates trunk stability and the sense of balance, and trains spatial understanding. These skills are important in navigating the world securely. They are the

fundament of all motor skills and thus a fundament in physical confidence. The familiar themes inspire stories, developing language skills.



Toddlers Castle with Rock Climber

MSC5422



Panels of 19mm EcoCore™. EcoCore™ is a highly durable, eco friendly material, which is not only recyclable after use, but also consists of material produced from +95% recycled post consumer material from food packing waste.



All floors are made of High-Pressure Laminate HPL with a thickness 17.8mm and non skid surface texture according to EN 438-6. KOMPAN HPL has high wearing strength to ensure long lifetime in all climates.

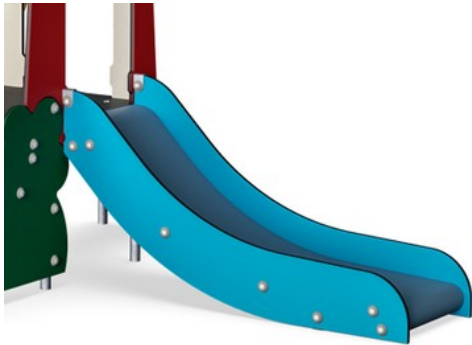


The steel surfaces are hot dip galvanised inside and outside with lead free zinc. The galvanisation has excellent corrosion resistance in outside environments and requires low maintenance.

Item no. MSC542201-3417P

Installation Information

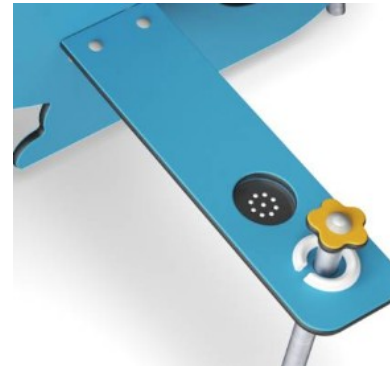
Max. fall height	100 cm
Safety surfacing area	20.4 m ²
Total installation time	9.8
Excavation volume	0.35 m ³
Concrete volume	0.00 m ³
Footing depth (standard)	60 cm
Shipment weight	215 kg
Anchoring options	In-ground ✓ Surface ✓



The slide bed can be chosen in different materials: Straight moulded PE or stainless steel slide bed t=2mm. Sides of the slides are made of EcoCore™.



Rock wall handholds are made of pressure moulded high quality nylon (PA6). PA6 has good wearing and impact strength.



Sand strainer is made of high-quality stainless steel to ensure durability of the product.



Sustainability Data

MSC5422



Cradle to Gate A1-A3	Total CO ₂ emission	CO ₂ e/kg	Recycled materials
	kg CO ₂ e	kg CO ₂ e/kg	%
MSC542201-3417P	314.90	2.01	52.30

The overall framework applied for these factors is the Environmental Product Declaration (EPD), which quantifies "environmental information on the life cycle of a product and enable comparisons between products fulfilling the same function" (ISO, 2006). This follows the structure and applies a Life-Cycle Assessment approach to the entire Product stage from raw material through manufacturing (A1-A3))

Kompan A/S
 C.F. Tietgens Boulevard 32C
 DK-5220 Odense SØ
 Denmark



Verification of CO₂ calculation of: Themed play systems



Data version no. 2023-10-05

The CO₂ calculation and data are in compliance with the principles of a carbon footprint impact according to the GHG protocol (Greenhouse Gas Protocol), Scope 3, cradle to gate related to all individual components in the product category: "Themed play systems" represented by item no.: MSC641100-3717P.

(Scope 3 emissions include emission sources in the upstream and downstream value chain).

Date: 30. October 2023 | Valid until: 30. October 2025

Verified by:

Julie Marie Vejsgaard Larsen, LCA & EPD Consultant

Verification based on report: Validation of CO₂ calculation of 9 categories of Kompan product line, version 1.0, prepared by: Bureau Veritas HSE, Denmark: Julie M. V. Larsen.

Publication date: 30. October 2023

By Bureau Veritas HSE
 www.bureauveritas.dk
 +45 7731 1000

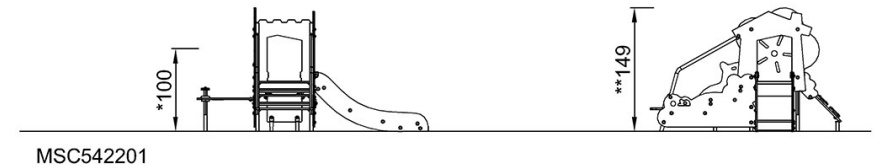
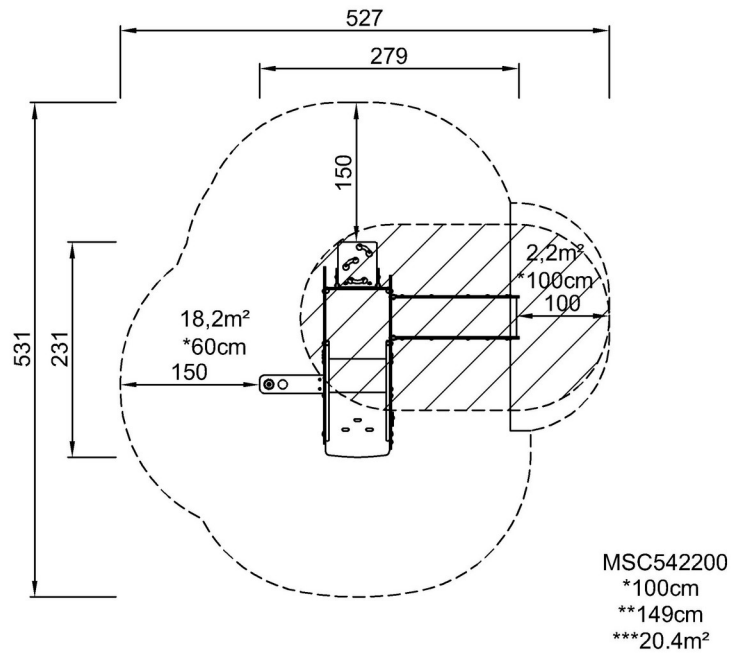


Toddlers Castle with Rock Climber

MSC5422

* Max fall height | ** Total height | *** Safety surfacing area

* Max fall height | ** Total height



[Click to see TOP VIEW](#)

[Click to see SIDE VIEW](#)